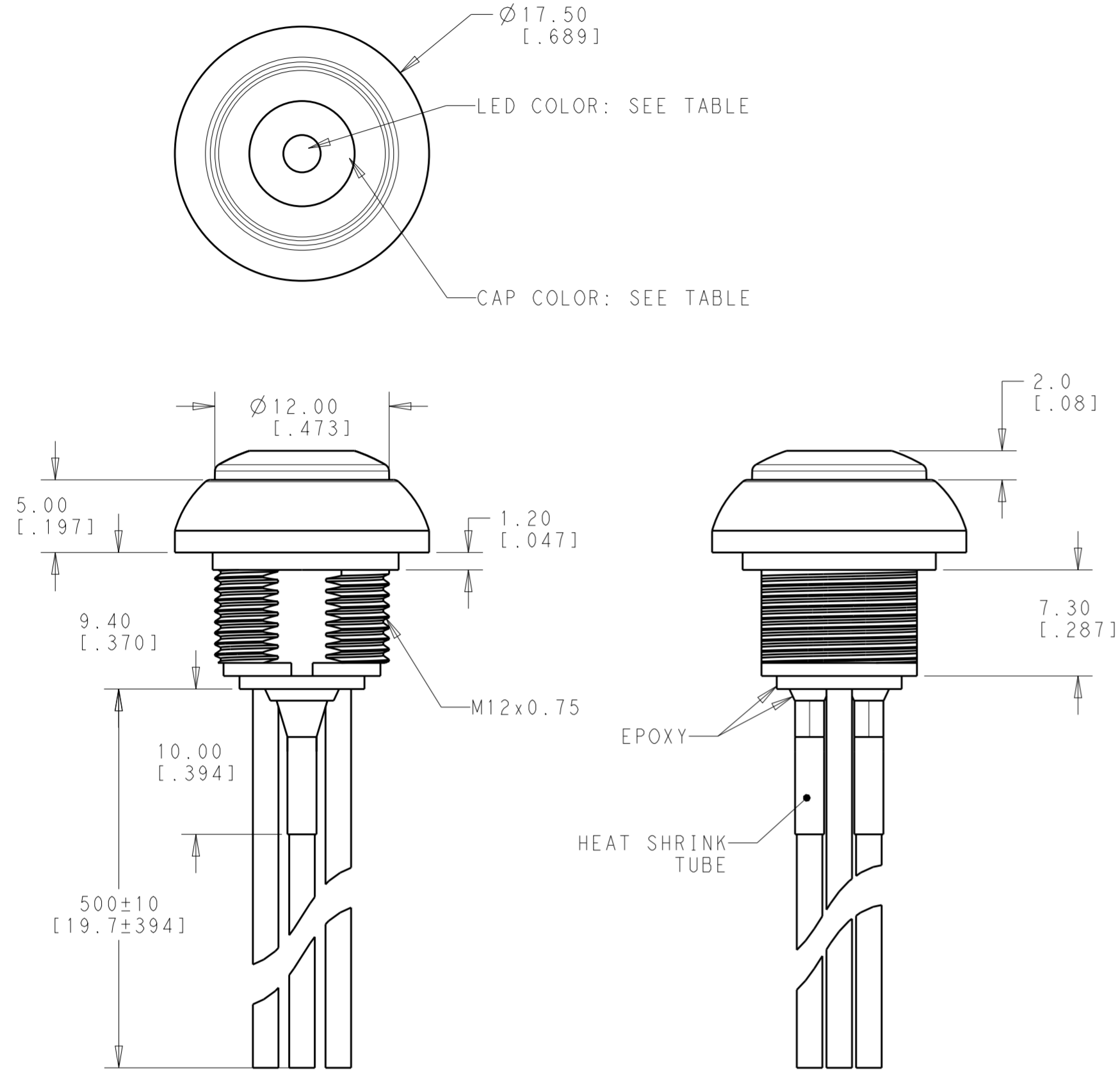


THIS DRAWING IS UNPUBLISHED. RELEASED FOR PUBLICATION
 © COPYRIGHT copyright.d8te- ALL RIGHTS RESERVED.

REVISIONS				
P	LTR	DESCRIPTION	DATE	APVD
2		REVISE TOLERANCE	18APR2018	JS AS

FLYING LEADS OFF-(ON)



Model No.	POS. 1	POS. 2
PB6	OFF	MOM (ON)
CONNECTED TERMINALS	OPEN	CLOSE
SCHEMATIC		

SWITCH FUNCTION

SPECIFICATIONS:

MAXIMUM CURRENT/VOLTAGE RATING WITH RESISTIVE LOAD:
 400mA 32VAC, 200mA 50VDC, 125mA 125VAC

INITIAL CONTACT RESISTANCE: 100mΩ MAXIMUM, RESISTANCE OF THE WIRE NOT INCLUDED.

INSULATION RESISTANCE: 1 GΩ MINIMUM AT 500 VDC
 DIELECTRIC STRENGTH: 1,500 VAC RMS
 CONTACT BOUNCE: 10ms
 ELECTRICAL LIFE AT FULL LOAD: 500,000 CYCLES
 MECHANICAL LIFE: 1,000,000 CYCLES
 TOTAL TRAVEL: 1.5 (.059)
 ACTUATION FORCE: 3 TO 6N
 OPERATING TEMPERATURE: -30° TO 85° C
 DEGREE OF PROTECTION: IP68, 1 HOUR @ 1 METER
 TORQUE: 0.5N·m MAXIMUM APPLIED TO NUT

MATERIALS:

CAP: POLYAMIDE 6/6
 PLUNGER: POLYCARBONATE
 RUBBER: SILICONE
 BUSHING: POLYAMIDE 6/6
 CASE: DIALLYL PHTHALATE (DAP) (UL94 V-0)
 TERMINALS/CONTACTS: COPPER ALLOY, GOLD OVER SILVER PLATED
 HEX NUT: BRASS, NICKEL PLATED (1)
 LOCK WASHER: BRASS, NICKEL PLATED (1)
 O-RING: SILICONE (1)
 WIRE: UL 3385, 20 AWG, SECTION 0.6mm²
 SPRING: STEEL
 HEAT SHRINK TUBE: POLYOLEFIN

PACKAGING:

SWITCHES ARE BUNDLED. HARDWARE IS NOT ASSEMBLED TO THE SWITCH.

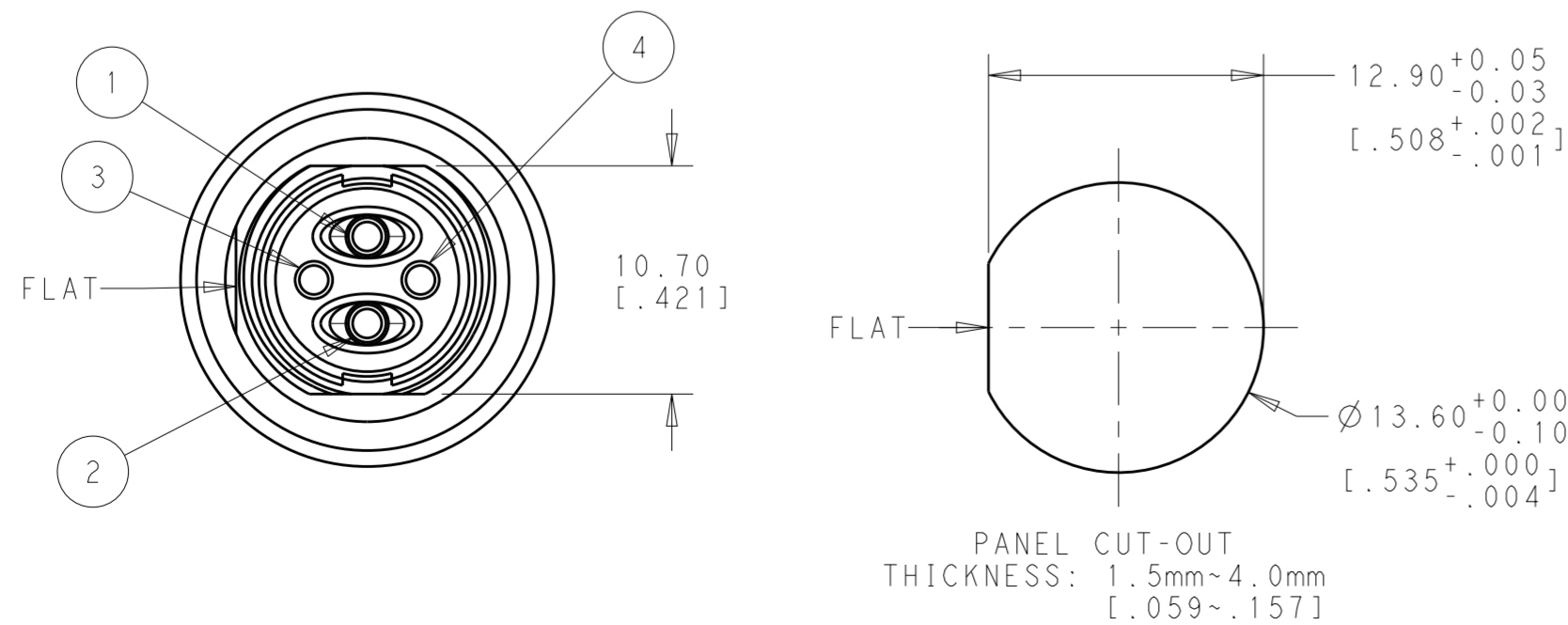
COMPLIANCE:

ALL MATERIALS AND FINISHES SHALL COMPLY WITH EU DIRECTIVE 2002/95/EC OF 27JAN2003(RoHS)

SOLDER PROCESSING:

MANUAL SOLDERING: SOLDER IRON, 30 WATTS, CONTROLLED AT 350° C, APPROXIMATELY 5 SECONDS WHILE APPLYING SOLDER.

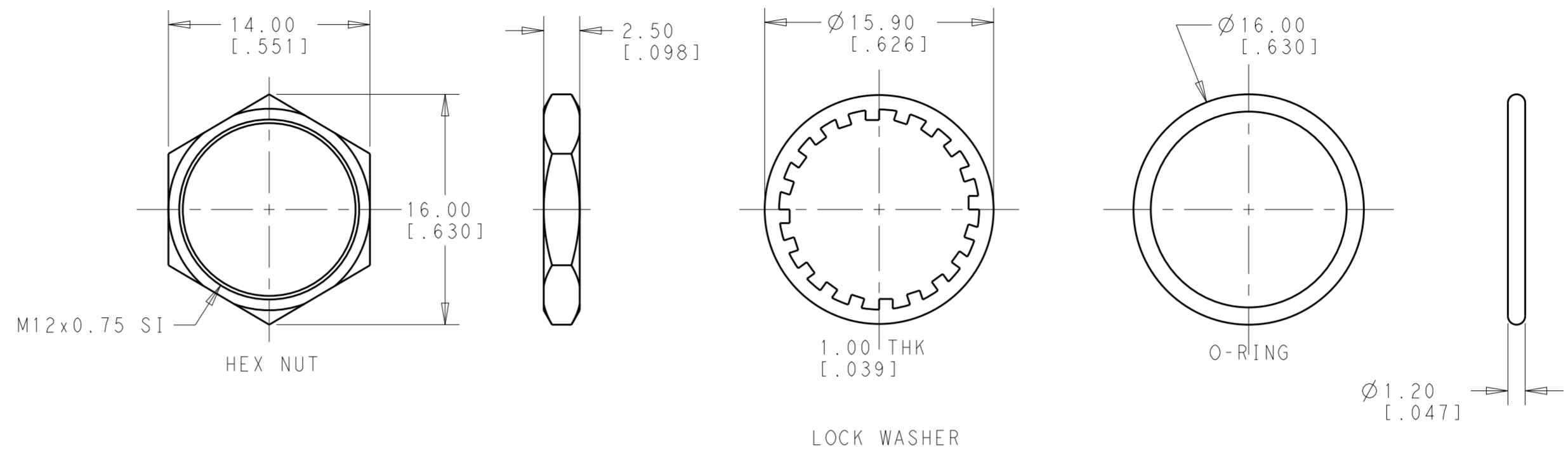
1. HARDWARE IS SHIPPED UNASSEMBLED.



THIS DRAWING IS A CONTROLLED DOCUMENT.		DWN: RAWLS 22FEB2018	STE TE Connectivity
DIMENSIONS: mm [INCHES]		CHK: ALEXANDER SHARPE 22FEB2018	
TOLERANCES UNLESS OTHERWISE SPECIFIED:		APVD: ALEXANDER SHARPE 22FEB2018	
0 PLC ± 1 PLC ±0.4 [.016] 2 PLC ±0.25 [.010] 3 PLC ± 4 PLC ± ANGLES ±5° FINISH -		NAME: ALEXANDER SHARPE	
MATERIAL: -		PRODUCT SPEC: -	SWITCH, PUSHBUTTON, FLAT CAP WITH LED, FLYING LEADS WITH HEAT SHRINK, SEALED, OFF-(ON)
-		APPLICATION SPEC: -	SIZE: A2
-		WEIGHT: -	CAGE CODE: 00779
-		CUSTOMER DRAWING	DRAWING NO: C-2329389
-		SCALE: 3:1	RESTRICTED TO
-		SHEET: 1 OF 2	REV: 2

THIS DRAWING IS UNPUBLISHED. RELEASED FOR PUBLICATION
 © COPYRIGHT copyright.d8te- ALL RIGHTS RESERVED.

REVISIONS				
P	LTR	DESCRIPTION	DATE	APVD
-	-	SEE SHEET 1	-	-



POLE	THROW	TERMINAL TYPE	CAP TYPE & COLOR	LED COLOR	TE DESCRIPTIVE PART NUMBER	PART NUMBER
SINGLE POLE	OFF-(ON) MOMENTARY	FLYING LEADS WITH HEAT SHRINK TUBE	FLAT, MATTE BLUE	BLUE	PB6B2FM7M1CAL07Y500	2-2329389-5
				GREEN	PB6B2FM7M1CAL06Y500	2-2329389-4
				YELLOW	PB6B2FM7M1CAL05Y500	2-2329389-3
				RED	PB6B2FM7M1CAL03Y500	2-2329389-2
				WHITE	PB6B2FM7M1CAL01Y500	2-2329389-1
			FLAT, MATTE GREEN	BLUE	PB6B2FM6M1CAL07Y500	2-2329389-0
				GREEN	PB6B2FM6M1CAL06Y500	1-2329389-9
				YELLOW	PB6B2FM6M1CAL05Y500	1-2329389-8
				RED	PB6B2FM6M1CAL03Y500	1-2329389-7
				WHITE	PB6B2FM6M1CAL01Y500	1-2329389-6
			FLAT, MATTE YELLOW	BLUE	PB6B2FM5M1CAL07Y500	1-2329389-5
				GREEN	PB6B2FM5M1CAL06Y500	1-2329389-4
				YELLOW	PB6B2FM5M1CAL05Y500	1-2329389-3
				RED	PB6B2FM5M1CAL03Y500	1-2329389-2
				WHITE	PB6B2FM5M1CAL01Y500	1-2329389-1
			FLAT, MATTE RED	BLUE	PB6B2FM3M1CAL07Y500	1-2329389-0
				GREEN	PB6B2FM3M1CAL06Y500	2329389-9
				YELLOW	PB6B2FM3M1CAL05Y500	2329389-8
				RED	PB6B2FM3M1CAL03Y500	2329389-7
				WHITE	PB6B2FM3M1CAL01Y500	2329389-6
FLAT, MATTE BLACK	BLUE	PB6B2FM2M1CAL07Y500	2329389-5			
	GREEN	PB6B2FM2M1CAL06Y500	2329389-4			
	YELLOW	PB6B2FM2M1CAL05Y500	2329389-3			
	RED	PB6B2FM2M1CAL03Y500	2329389-2			
	WHITE	PB6B2FM2M1CAL01Y500	2329389-1			

THIS DRAWING IS A CONTROLLED DOCUMENT.

DWN: RAVLS 22FEB2018
 CHK: ALEXANDER SHARPE 22FEB2018
 APVD: ALEXANDER SHARPE 22FEB2018

STE TE Connectivity

NAME: SWITCH, PUSHBUTTON, FLAT CAP WITH LED, FLYING LEADS WITH HEAT SHRINK, SEALED, OFF-(ON)

SIZE: A2 CAGE CODE: 00779 DRAWING NO: C-2329389 RESTRICTED TO: 2

MATERIAL: - FINISH: - WEIGHT: -

CUSTOMER DRAWING SCALE: 3:1 SHEET: 2 OF 2 REV: 2