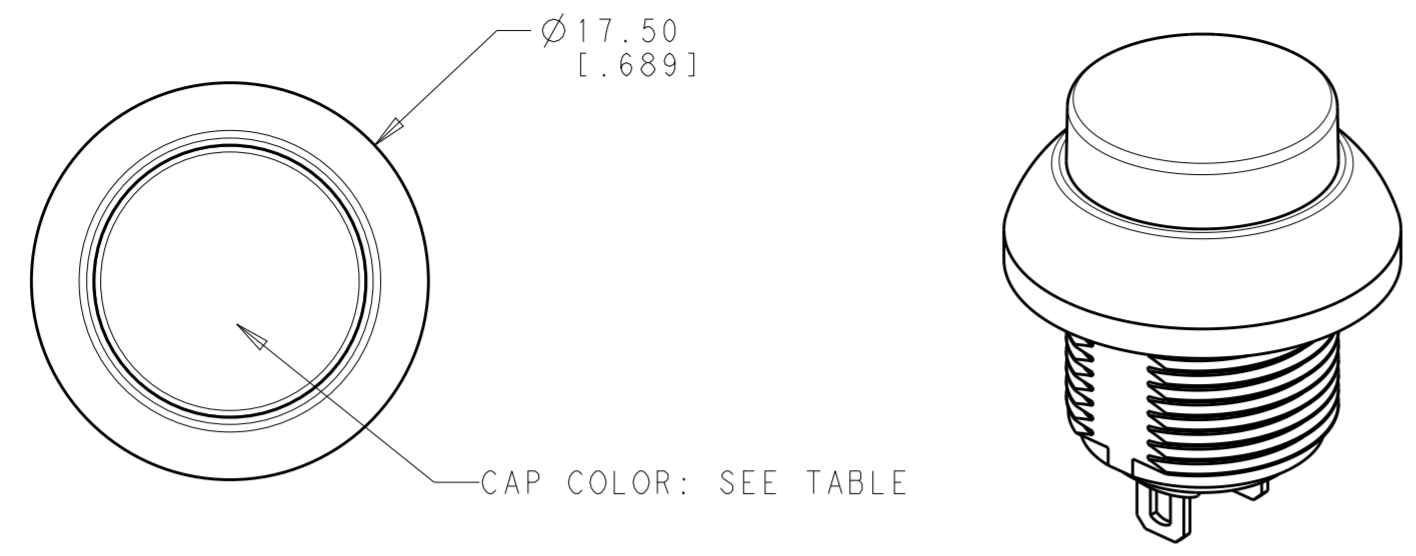


THIS DRAWING IS UNPUBLISHED. RELEASED FOR PUBLICATION
 © COPYRIGHT copyright.d8te- ALL RIGHTS RESERVED.

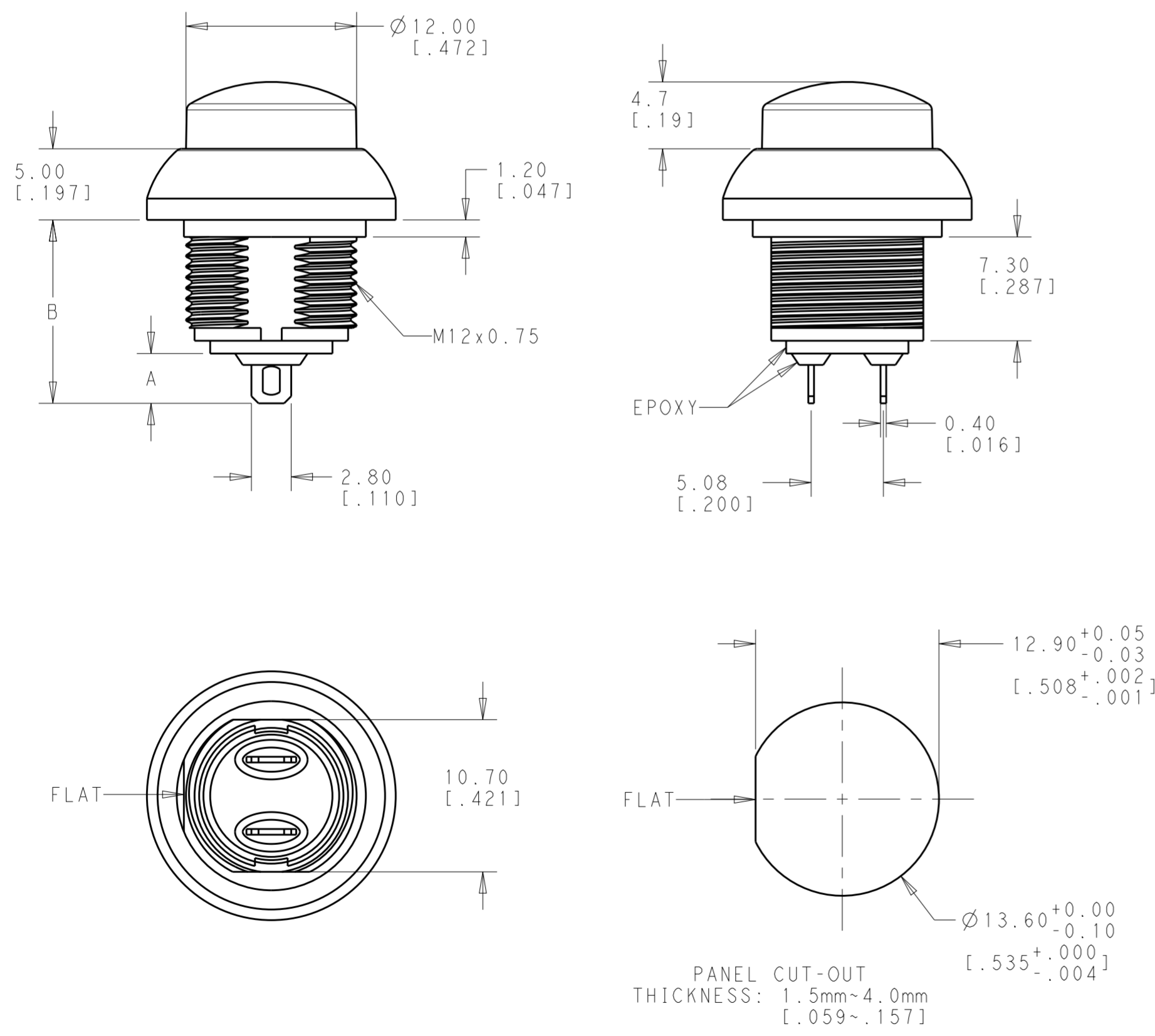
REVISIONS				
P	LTR	DESCRIPTION	DATE	APVD
2		REVISED TOLERANCE	18APR2018	JS AS



SOLDER TO WIRE
OFF-(ON)

Model No.	POS. 1	POS. 2
PB6	OFF	MOM(ON)
CONNECTED TERMINALS	OPEN	CLOSE
SCHEMATIC		

SWITCH FUNCTION



SPECIFICATIONS:

MAXIMUM CURRENT/VOLTAGE RATING WITH RESISTIVE LOAD:
 400mA 32VAC, 200mA 50VDC, 125mA 125VAC

INITIAL CONTACT RESISTANCE: 50mΩ MAXIMUM
 INSULATION RESISTANCE: 1 GΩ MINIMUM AT 500 VDC
 DIELECTRIC STRENGTH: 1,500 VAC RMS
 CONTACT BOUNCE: 10ms
 ELECTRICAL LIFE AT FULL LOAD: 500,000 CYCLES
 MECHANICAL LIFE: 1,000,000 CYCLES
 TOTAL TRAVEL: 1.5 (.059)
 ACTUATION FORCE: 3 TO 6N
 OPERATING TEMPERATURE: -30° TO 85° C
 DEGREE OF PROTECTION: IP68, 1 HOUR @ 1 METER
 TORQUE: 0.5N·m MAXIMUM APPLIED TO NUT

MATERIALS:

CAP: POLYAMIDE 6/6
 PLUNGER: POLYAMIDE 6/6 OR POLYCARBONATE
 RUBBER: SILICONE
 BUSHING: POLYAMIDE 6/6
 CASE: DIALLYL PHTHALATE (DAP) (UL94 V-0)
 TERMINALS/CONTACTS: COPPER ALLOY, GOLD OVER SILVER PLATED
 HEX NUT: BRASS, NICKEL PLATED (1)
 LOCK WASHER: BRASS, NICKEL PLATED (1)
 O-RING: SILICONE (1)
 SPRING: STEEL

PACKAGING:

SWITCHES ARE PACKAGED INDIVIDUALLY IN TRAYS. HARDWARE IS NOT ASSEMBLED TO THE SWITCH.

COMPLIANCE:

ALL MATERIALS AND FINISHES SHALL COMPLY WITH EU DIRECTIVE 2002/95/EC OF 27JAN2003(RoHS)

SOLDER PROCESSING:

MANUAL SOLDERING: SOLDER IRON, 30 WATTS, CONTROLLED AT 350° C, APPROXIMATELY 5 SECONDS WHILE APPLYING SOLDER.

WAVE SOLDERING:

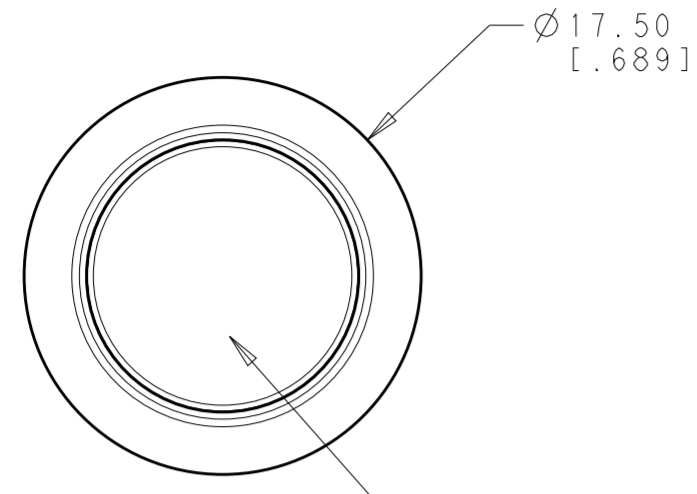
260+/-5° C, 5 SECONDS MAXIMUM DURATION, PCB THICKNESS 1.6MM
 110°C MAXIMUM AMBIENT TEMPERATURE OF THE SOLDER SURFACE OF THE PC BOARD.

1. HARDWARE IS SHIPPED UNASSEMBLED.

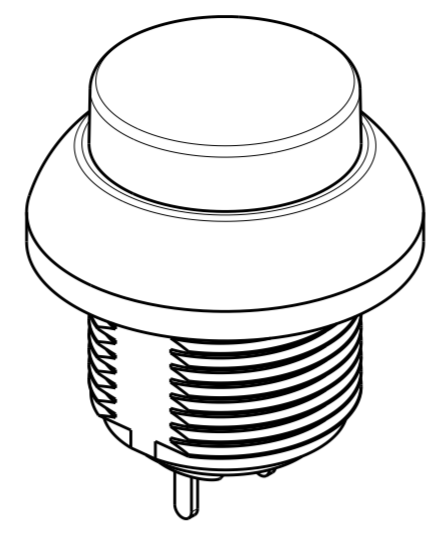
THIS DRAWING IS A CONTROLLED DOCUMENT.		DWN RAVLS 21FEB2018	 TE Connectivity PRELIMINARY				
DIMENSIONS: mm [INCHES]		CHK ALEXANDER SHARPE 21FEB2018			NAME ALEXANDER SHARPE 21FEB2018		
TOLERANCES UNLESS OTHERWISE SPECIFIED:		APVD ALEXANDER SHARPE 21FEB2018			PRODUCT SPEC		
0 PLC ± 1 PLC ±0.4 [0.016] 2 PLC ±0.25 [0.010] 3 PLC ± 4 PLC ± ANGLES ±5° FINISH		APPLICATION SPEC			SWITCH, PUSHBUTTON, HIGH CAP NO LED, SOLDER TERMINATION, SEALED, OFF-(ON) AND ON-(OFF)		
MATERIAL	-	WEIGHT	-	SIZE A200779	CAGE CODE C-2329328	DRAWING NO	RESTRICTED TO
CUSTOMER DRAWING		SCALE 4:1		SHEET 1 OF 4	REV 2		

THIS DRAWING IS UNPUBLISHED. RELEASED FOR PUBLICATION
 © COPYRIGHT copyright.d8te- ALL RIGHTS RESERVED.

REVISIONS				
P	LTR	DESCRIPTION	DATE	APVD
		SEE SHEET 1		



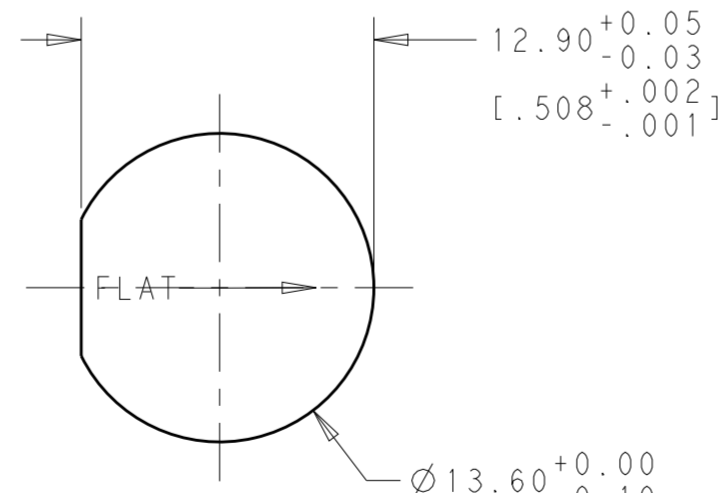
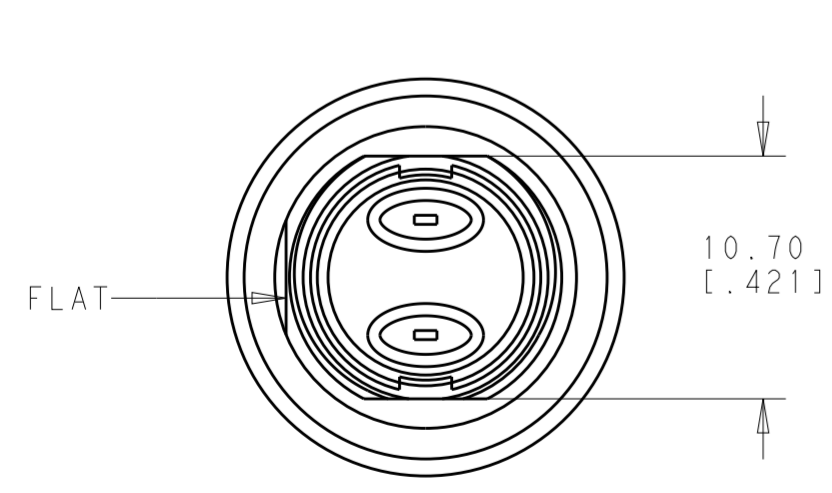
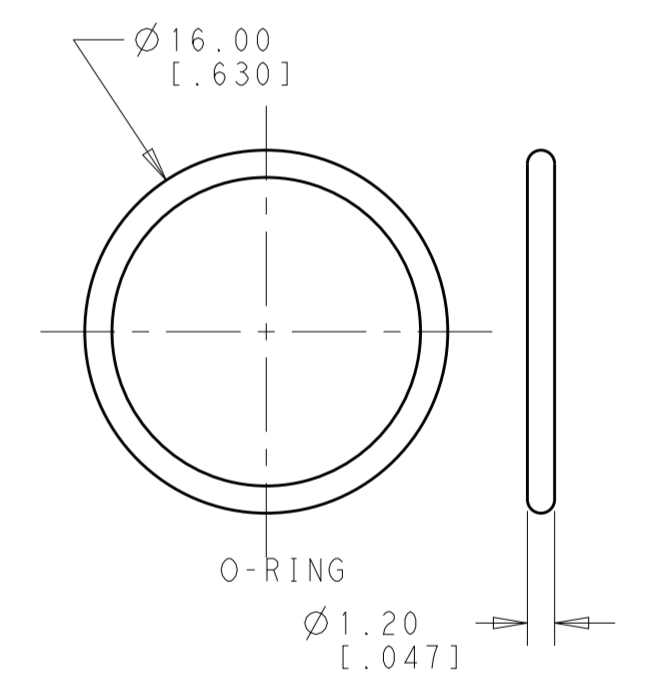
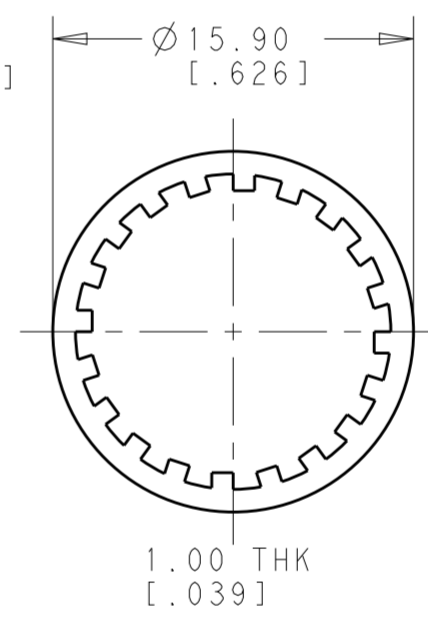
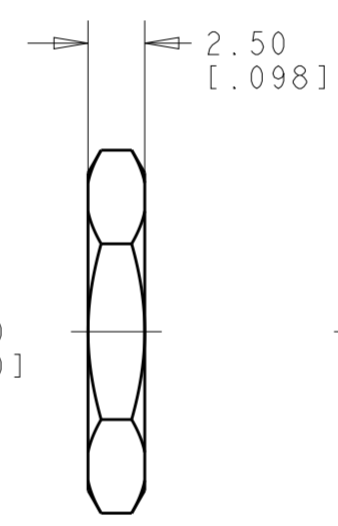
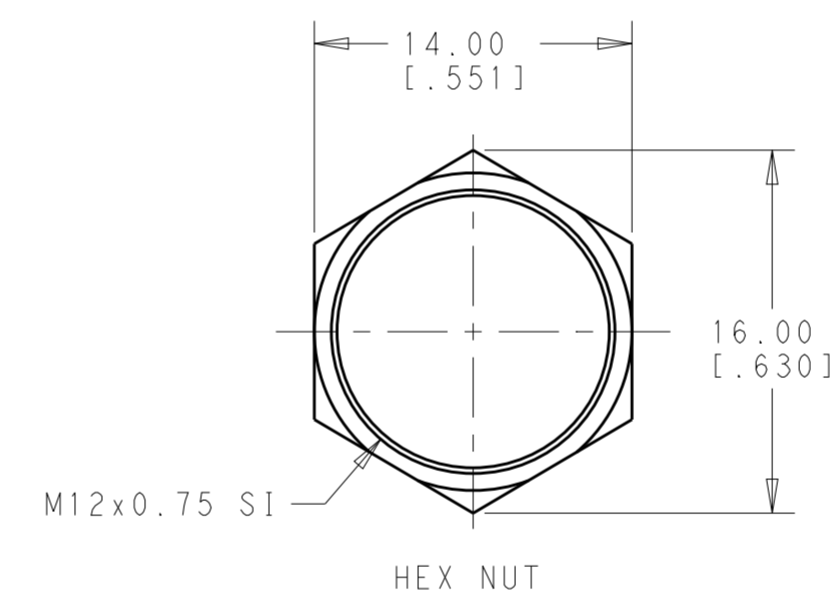
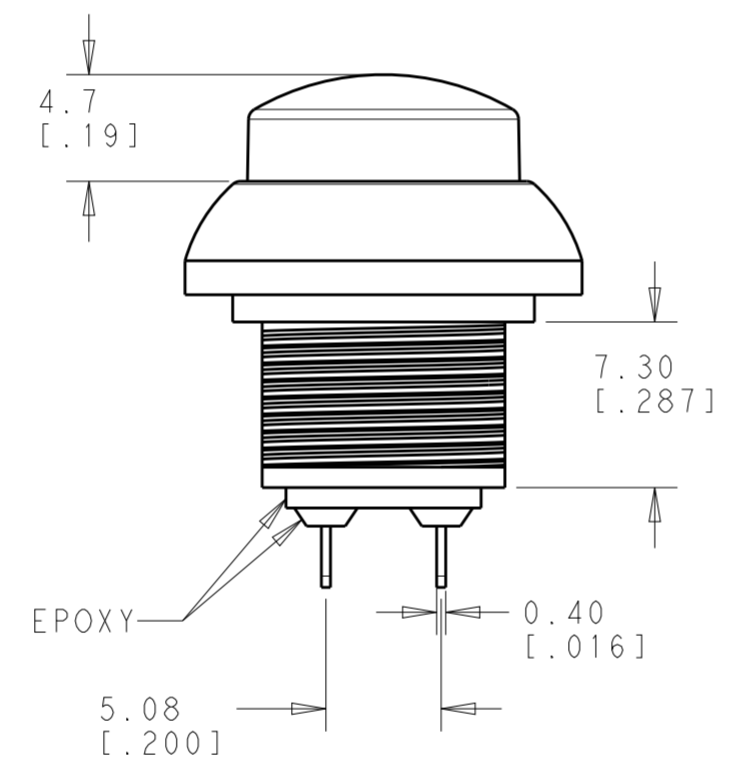
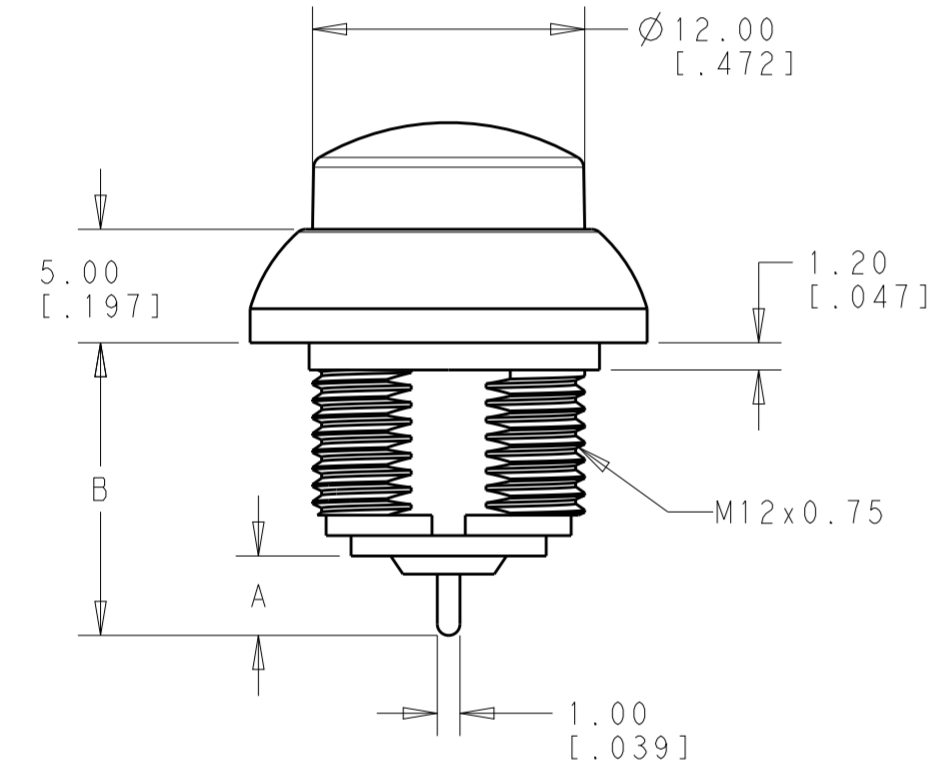
CAP COLOR: SEE TABLE



SOLDER TO PCB
OFF - (ON)

Model No.	POS. 1	POS. 2
PB6	OFF	MOM(ON)
CONNECTED TERMINALS	OPEN	CLOSE
SCHEMATIC		

SWITCH FUNCTION



PANEL CUT-OUT: 5.35^{+0.00} [0.211]

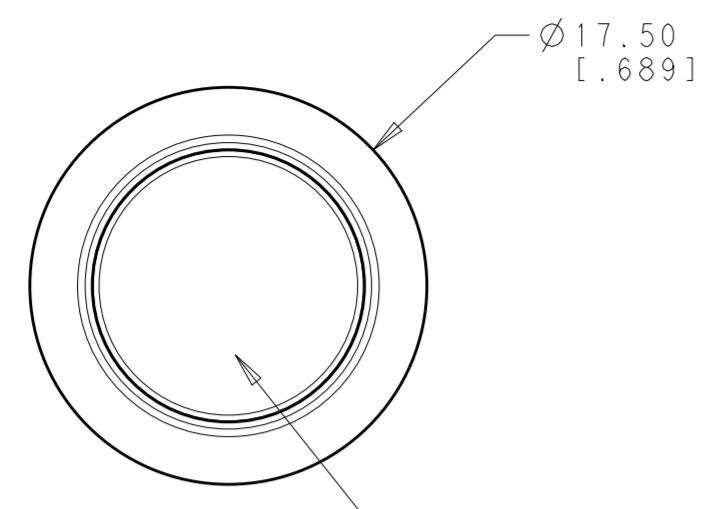
THICKNESS: 1.5mm~4.0mm [0.059~.157]

THIS DRAWING IS A CONTROLLED DOCUMENT.		DWN RAVLS 21FEB2018	TE Connectivity	
DIMENSIONS: mm [INCHES]		CHK ALEXANDER SHARPE 21FEB2018		
TOLERANCES UNLESS OTHERWISE SPECIFIED:		APVD ALEXANDER SHARPE 21FEB2018	NAME SWITCH, PUSHBUTTON, HIGH CAP NO LED, SOLDER TERMINATION, SEALED, OFF-(ON) AND ON-(OFF)	
0 PLC ±		PRODUCT SPEC	SIZE CAGE CODE DRAWING NO RESTRICTED TO	
1 PLC ±0.4 [.016]		APPLICATION SPEC	A200779 C-2329328	
2 PLC ±0.25 [.010]		WEIGHT	SCALE 4:1 SHEET 2 OF 4 REV 2	
3 PLC ±		CUSTOMER DRAWING		
4 PLC ±				
ANGLES ±5°				
FINISH				

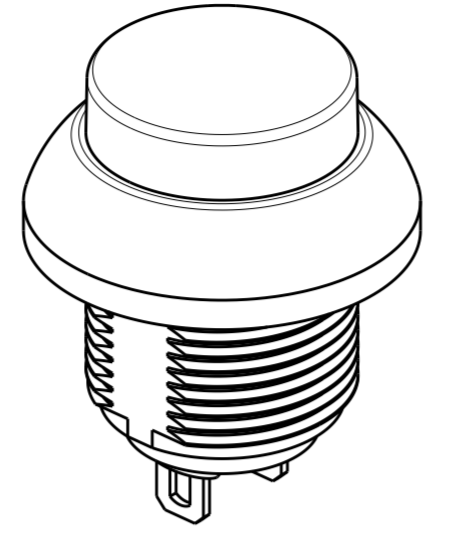
THIS DRAWING IS UNPUBLISHED. RELEASED FOR PUBLICATION
 © COPYRIGHT copyright.d8te- ALL RIGHTS RESERVED.

REVISIONS				
P	LTR	DESCRIPTION	DATE	APVD
-	-	SEE SHEET 1	-	-

SOLDER TO WIRE
ON-(OFF)

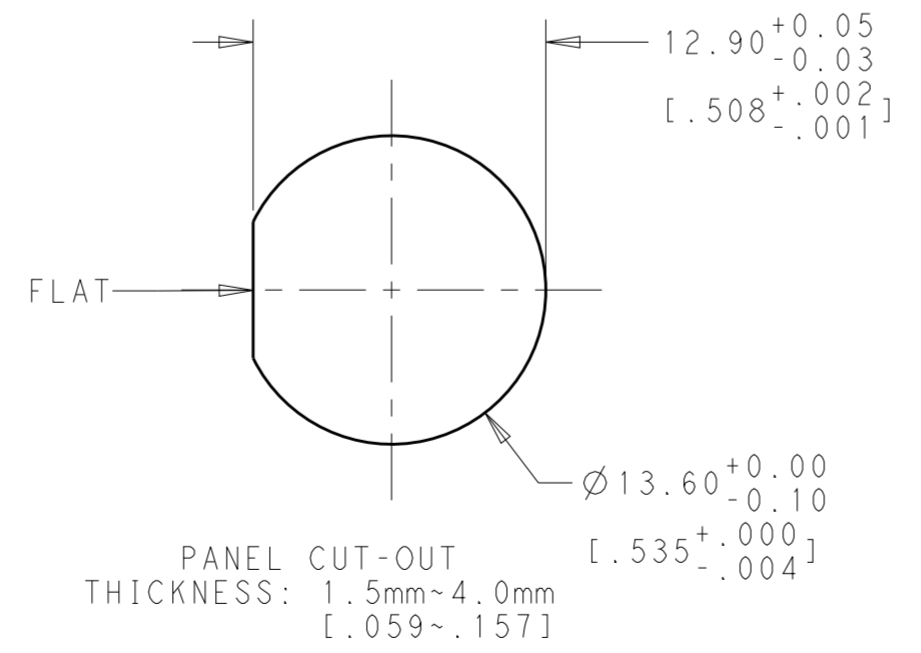
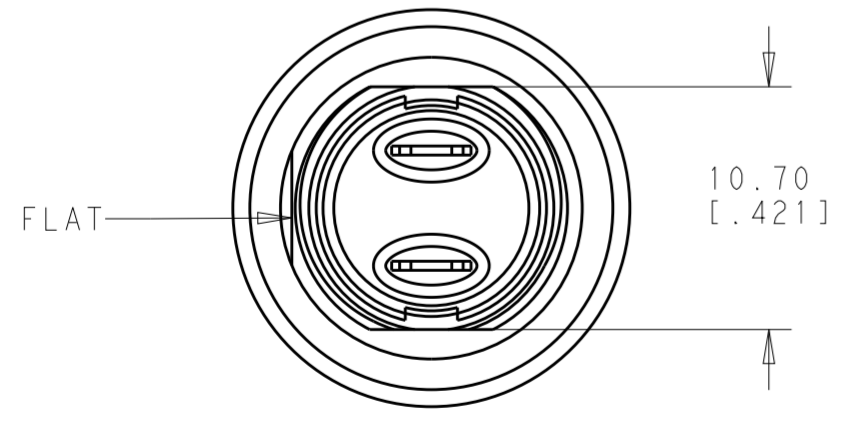
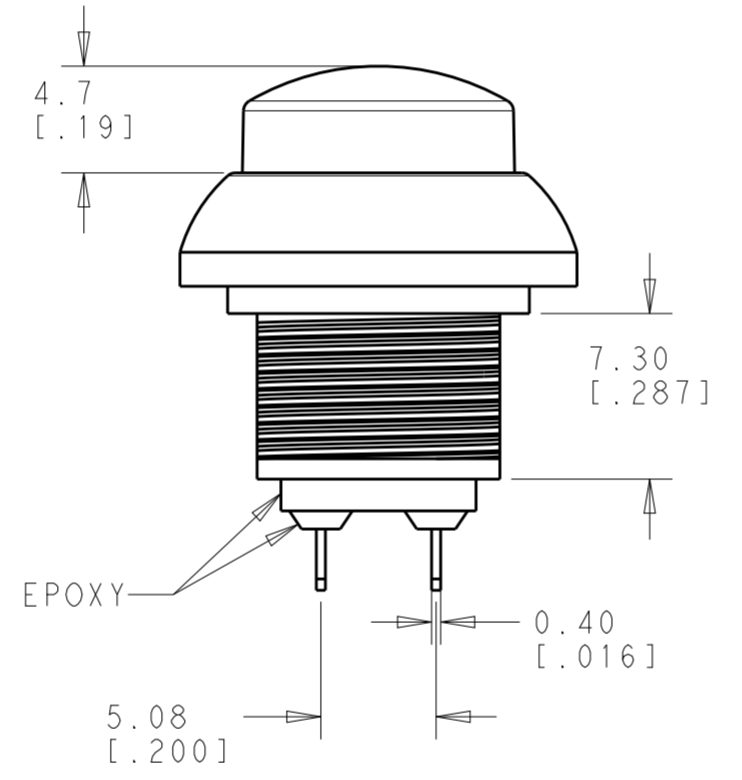
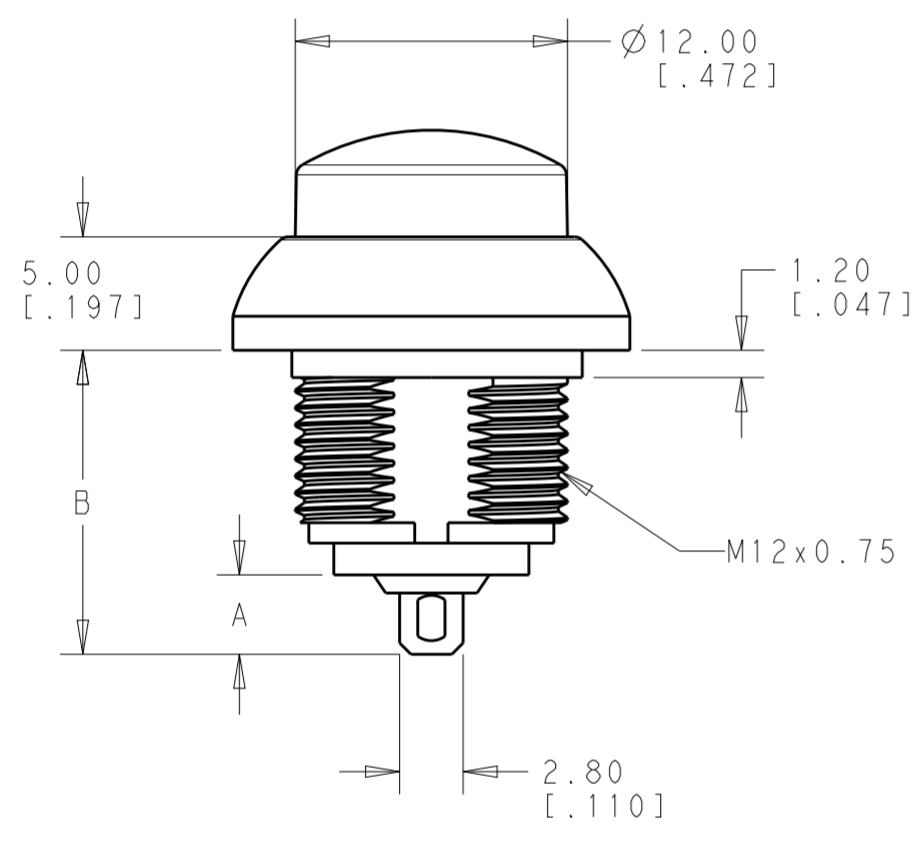


CAP COLOR: SEE TABLE



Model No.	POS. 1	POS. 2
PB7	ON	MOM(OFF)
CONNECTED TERMINALS	CLOSE	OPEN
SCHEMATIC		

SWITCH FUNCTION



THIS DRAWING IS A CONTROLLED DOCUMENT.		DWN RAVLS 21FEB2018	TE Connectivity
DIMENSIONS: mm [INCHES]		CHK ALEXANDER SHARPE 21FEB2018	
		APVD ALEXANDER SHARPE 21FEB2018	
TOLERANCES UNLESS OTHERWISE SPECIFIED:		PRODUCT SPEC	NAME SWITCH, PUSHBUTTON, HIGH CAP NO LED, SOLDER TERMINATION, SEALED, OFF-(ON) AND ON-(OFF)
0 PLC ±	±0.4 [.016]	APPLICATION SPEC	SIZE CAGE CODE DRAWING NO RESTRICTED TO
1 PLC ±	±0.25 [.010]	WEIGHT	A200779 C-2329328
2 PLC ±	±	CUSTOMER DRAWING	SCALE 4:1 SHEET 3 OF 4 REV 2
3 PLC ±	±		
4 PLC ±	±		
ANGLES	±5°		
FINISH	-		

THIS DRAWING IS UNPUBLISHED. RELEASED FOR PUBLICATION
 © COPYRIGHT copyright.dBTe ALL RIGHTS RESERVED.

REVISIONS				
P	LTR	DESCRIPTION	DATE	APVD
-		SEE SHEET 1	-	-

POLE	THROW	DIMENSION B	DIMENSION A (TERMINAL TYPE)	CAP TYPE & COLOR	LED COLOR	TE DESCRIPTIVE PART NUMBER	PART NUMBER
SINGLE POLE	ON-(OFF) MOMENTARY	13.40 [.527]	3.40 [.134] SOLDER LUG (TO WIRE)	HIGH, SHINY BLUE	N/A	PB7B2HS7M1CAL00	2-2329328-5
				HIGH, SHINY GREEN	N/A	PB7B2HS6M1CAL00	2-2329328-4
				HIGH, SHINY YELLOW	N/A	PB7B2HS5M1CAL00	2-2329328-3
				HIGH, SHINY RED	N/A	PB7B2HS3M1CAL00	2-2329328-2
				HIGH, SHINY BLACK	N/A	PB7B2HS2M1CAL00	2-2329328-1
	OFF-(ON) MOMENTARY	12.90 [.508]	3.50 [.138] SOLDER POST (TO PCB)	HIGH, SHINY BLUE	N/A	PB6B2HS7M4CAL00	2-2329328-0
				HIGH, SHINY GREEN	N/A	PB6B2HS6M4CAL00	1-2329328-9
				HIGH, SHINY YELLOW	N/A	PB6B2HS5M4CAL00	1-2329328-8
				HIGH, SHINY RED	N/A	PB6B2HS3M4CAL00	1-2329328-7
				HIGH, SHINY BLACK	N/A	PB6B2HS2M4CAL00	1-2329328-6
		17.60 [.693]	8.20 [.323] SOLDER LUG (TO WIRE)	HIGH, SHINY BLUE	N/A	PB6B2HS7M3CAL00	1-2329328-5
				HIGH, SHINY GREEN	N/A	PB6B2HS6M3CAL00	1-2329328-4
				HIGH, SHINY YELLOW	N/A	PB6B2HS5M3CAL00	1-2329328-3
				HIGH, SHINY RED	N/A	PB6B2HS3M3CAL00	1-2329328-2
				HIGH, SHINY BLACK	N/A	PB6B2HS2M3CAL00	1-2329328-1
		14.90 [.587]	5.50 [.217] SOLDER LUG (TO WIRE)	HIGH, SHINY BLUE	N/A	PB6B2HS7M2CAL00	1-2329328-0
				HIGH, SHINY GREEN	N/A	PB6B2HS6M2CAL00	2329328-9
				HIGH, SHINY YELLOW	N/A	PB6B2HS5M2CAL00	2329328-8
				HIGH, SHINY RED	N/A	PB6B2HS3M2CAL00	2329328-7
				HIGH, SHINY BLACK	N/A	PB6B2HS2M2CAL00	2329328-6
12.90 [.508]	3.50 [.138] SOLDER LUG (TO WIRE)	HIGH, SHINY BLUE	N/A	PB6B2HS7M1CAL00	2329328-5		
		HIGH, SHINY GREEN	N/A	PB6B2HS6M1CAL00	2329328-4		
		HIGH, SHINY YELLOW	N/A	PB6B2HS5M1CAL00	2329328-3		
		HIGH, SHINY RED	N/A	PB6B2HS3M1CAL00	2329328-2		
		HIGH, SHINY BLACK	N/A	PB6B2HS2M1CAL00	2329328-1		

THIS DRAWING IS A CONTROLLED DOCUMENT.

DWN: RAVLS 21FEB2018
 CHK: ALEXANDER SHARPE 21FEB2018
 APVD: ALEXANDER SHARPE 21FEB2018

STE TE Connectivity

NAME: SWITCH, PUSHBUTTON, HIGH CAP NO LED, SOLDER TERMINATION, SEALED, OFF-(ON) AND ON-(OFF)

SIZE: A2 CAGE CODE: 00779 DRAWING NO: C-2329328 RESTRICTED TO: 4

MATERIAL: - DIMENSIONS: mm [INCHES] TOLERANCES UNLESS OTHERWISE SPECIFIED: 0 PLC ± .04 [.016] 1 PLC ± .04 [.016] 2 PLC ± .05 [.010] 3 PLC ± .05 [.010] 4 PLC ± .05 [.010] ANGLES ± 5° FINISH: -

PRODUCT SPEC: - APPLICATION SPEC: - WEIGHT: - CUSTOMER DRAWING SCALE: 4:1 SHEET: 4 OF 4 REV: 2