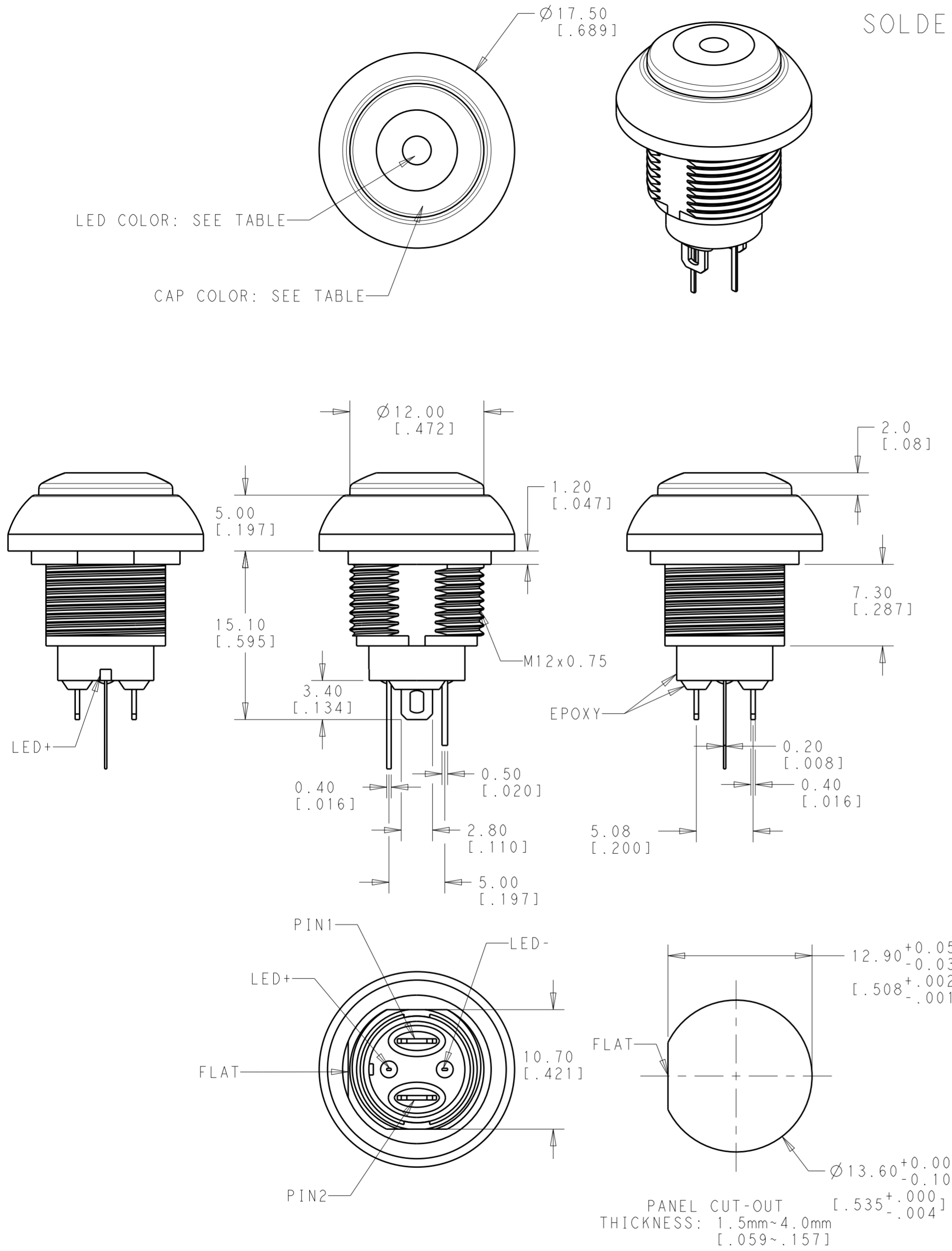


THIS DRAWING IS UNPUBLISHED. RELEASED FOR PUBLICATION  
 © COPYRIGHT copyright.d8te- ALL RIGHTS RESERVED.

REVISIONS				
P	LTR	DESCRIPTION	DATE	APVD
2		REVISE TOLERANCE	18APR2018	JS AS

SOLDER TO WIRE LUGS AND LED LEADS  
OFF-(ON)



Model No.	POS. 1	POS. 2
PB6	OFF	MOM(ON)
CONNECTED TERMINALS	OPEN	CLOSE
SCHEMATIC		

SWITCH FUNCTION

**SPECIFICATIONS:**

MAXIMUM CURRENT/VOLTAGE RATING WITH RESISTIVE LOAD:  
400mA 32VAC, 200mA 50VDC, 125mA 125VAC

INITIAL CONTACT RESISTANCE: 50mΩ MAXIMUM  
 INSULATION RESISTANCE: 1 GΩ MINIMUM AT 500 VDC  
 DIELECTRIC STRENGTH: 1,500 VAC RMS  
 CONTACT BOUNCE: 10ms  
 ELECTRICAL LIFE AT FULL LOAD: 500,000 CYCLES  
 MECHANICAL LIFE: 1,000,000 CYCLES  
 TOTAL TRAVEL: 1.5 (.059)  
 ACTUATION FORCE: 3 TO 6N  
 OPERATING TEMPERATURE: -30° TO 85° C  
 DEGREE OF PROTECTION: IP68, 1 HOUR @ 1 METER  
 TORQUE: 0.5N·m MAXIMUM APPLIED TO NUT

**MATERIALS:**

CAP: POLYAMIDE 6/6  
 PLUNGER: POLYCARBONATE  
 RUBBER: SILICONE  
 BUSHING: POLYAMIDE 6/6  
 CASE: DIALLYL PHTHALATE (DAP) (UL94 V-0)  
 TERMINALS/CONTACTS: COPPER ALLOY, GOLD OVER SILVER PLATED  
 HEX NUT: BRASS, NICKEL PLATED (1)  
 LOCK WASHER: BRASS, NICKEL PLATED (1)  
 O-RING: SILICONE (1)  
 SPRING: STEEL

**PACKAGING:**

SWITCHES ARE PACKAGED IN TRAYS. HARDWARE IS NOT ASSEMBLED TO THE SWITCH.

**COMPLIANCE:**

ALL MATERIALS AND FINISHES SHALL COMPLY WITH EU DIRECTIVE 2002/95/EC OF 27JAN2003(RoHS)

**SOLDER PROCESSING:**

MANUAL SOLDERING: SOLDER IRON, 30 WATTS, CONTROLLED AT 350° C, APPROXIMATELY 5 SECONDS WHILE APPLYING SOLDER.

**WAVE SOLDERING:**

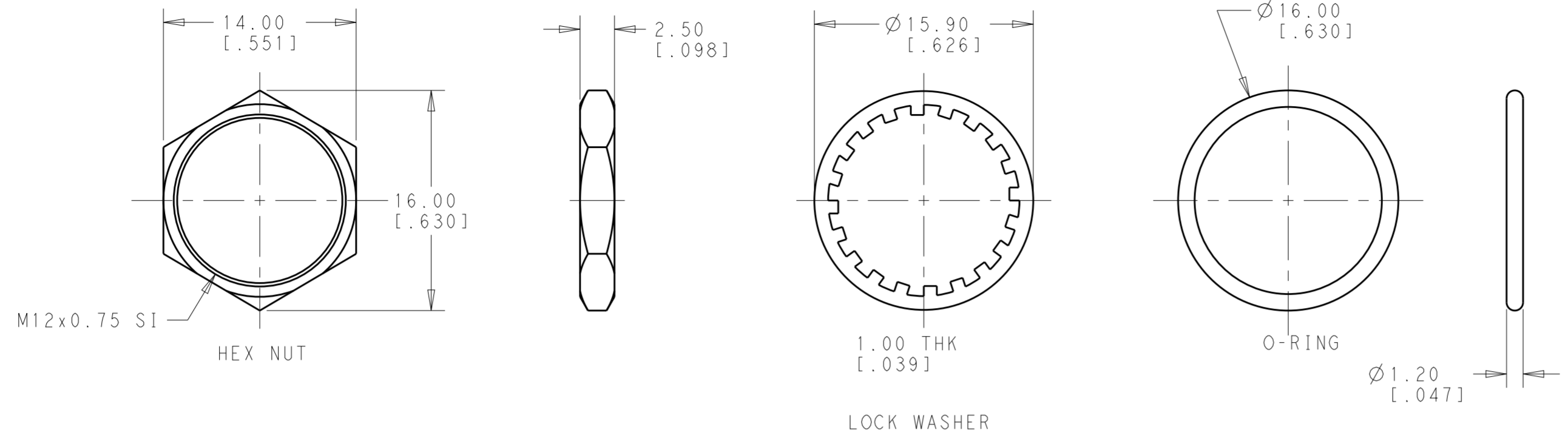
260+/-5° C, 5 SECONDS MAXIMUM DURATION, PCB THICKNESS 1.6MM  
 110°C MAXIMUM AMBIENT TEMPERATURE OF THE SOLDER SURFACE OF THE PC BOARD.

1. HARDWARE IS SHIPPED UNASSEMBLED.

THIS DRAWING IS A CONTROLLED DOCUMENT.		DWN	RAVLS	22FEB2018
DIMENSIONS: mm [INCHES]		CHK	ALEXANDER SHARPE	22FEB2018
TOLERANCES UNLESS OTHERWISE SPECIFIED:		APVD	ALEXANDER SHARPE	22FEB2018
0 PLC	±	NAME		
1 PLC	±0.4 [.016]	SWITCH, PUSHBUTTON, FLAT CAP		
2 PLC	±0.25 [.010]	WITH LED, SOLDER TERMINATION,		
3 PLC	±	SEALED, OFF-(ON)		
4 PLC	±	PRODUCT SPEC	-	
ANGLES	±5°	APPLICATION SPEC	-	
FINISH	-	WEIGHT	-	
MATERIAL	-	CUSTOMER DRAWING	SCALE	2:1
MATERIAL FINISH		SIZE		CAGE CODE
-		A200779		DRAWING NO
-		C-2329387		RESTRICTED TO
-		SHEET		1 OF 2
-		REV		2

THIS DRAWING IS UNPUBLISHED. RELEASED FOR PUBLICATION  
 © COPYRIGHT copyright.d8te- ALL RIGHTS RESERVED.

REVISIONS				
P	LTR	DESCRIPTION	DATE	APVD
-		SEE SHEET 1	-	-



POLE	THROW	TERMINAL TYPE	CAP TYPE & COLOR	LED COLOR	TE DESCRIPTIVE PART NUMBER	PART NUMBER
SINGLE POLE	OFF-(ON) MOMENTARY	3.40 SOLDER LUGS AND LED LEADS	FLAT, MATTE BLUE	BLUE	PB6B2FM7M1CAL07	2-2329387-5
				GREEN	PB6B2FM7M1CAL06	2-2329387-4
				YELLOW	PB6B2FM7M1CAL05	2-2329387-3
				RED	PB6B2FM7M1CAL03	2-2329387-2
				WHITE	PB6B2FM7M1CAL01	2-2329387-1
			FLAT, MATTE GREEN	BLUE	PB6B2FM6M1CAL07	2-2329387-0
				GREEN	PB6B2FM6M1CAL06	1-2329387-9
				YELLOW	PB6B2FM6M1CAL05	1-2329387-8
				RED	PB6B2FM6M1CAL03	1-2329387-7
				WHITE	PB6B2FM6M1CAL01	1-2329387-6
			FLAT, MATTE YELLOW	BLUE	PB6B2FM5M1CAL07	1-2329387-5
				GREEN	PB6B2FM5M1CAL06	1-2329387-4
				YELLOW	PB6B2FM5M1CAL05	1-2329387-3
				RED	PB6B2FM5M1CAL03	1-2329387-2
				WHITE	PB6B2FM5M1CAL01	1-2329387-1
			FLAT, MATTE RED	BLUE	PB6B2FM3M1CAL07	1-2329387-0
				GREEN	PB6B2FM3M1CAL06	2329387-9
				YELLOW	PB6B2FM3M1CAL05	2329387-8
				RED	PB6B2FM3M1CAL03	2329387-7
				WHITE	PB6B2FM3M1CAL01	2329387-6
FLAT, MATTE BLACK	BLUE	PB6B2FM2M1CAL07	2329387-5			
	GREEN	PB6B2FM2M1CAL06	2329387-4			
	YELLOW	PB6B2FM2M1CAL05	2329387-3			
	RED	PB6B2FM2M1CAL03	2329387-2			
	WHITE	PB6B2FM2M1CAL01	2329387-1			

THIS DRAWING IS A CONTROLLED DOCUMENT.

DWN: RAVI.S 22FEB2018  
 CHK: ALEXANDER SHARPE 22FEB2018  
 APVD: ALEXANDER SHARPE 22FEB2018

**STE** TE Connectivity

NAME: SWITCH, PUSHBUTTON, FLAT CAP WITH LED, SOLDER TERMINATION, SEALED, OFF-(ON)

SIZE: A2 CAGE CODE: 00779 DRAWING NO: C-2329387 RESTRICTED TO: 2

SCALE: 2:1 SHEET: 2 OF 2 REV: 2

CUSTOMER DRAWING