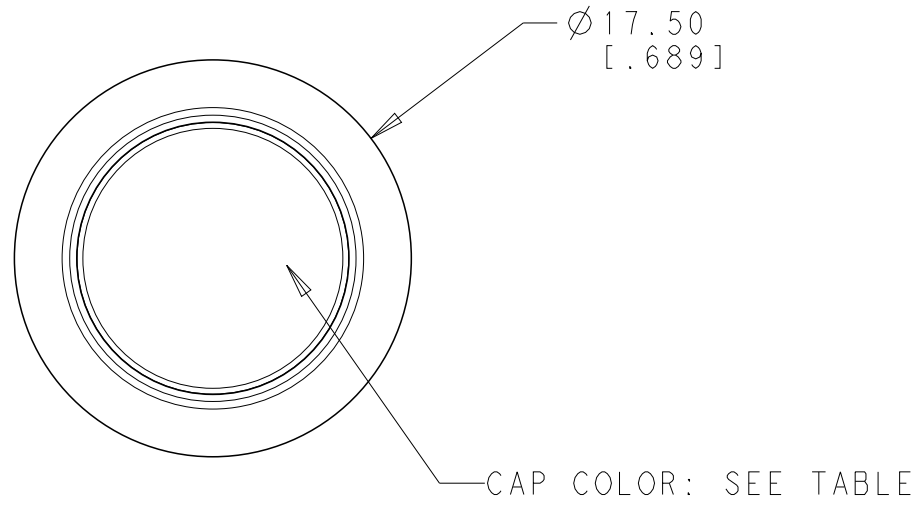


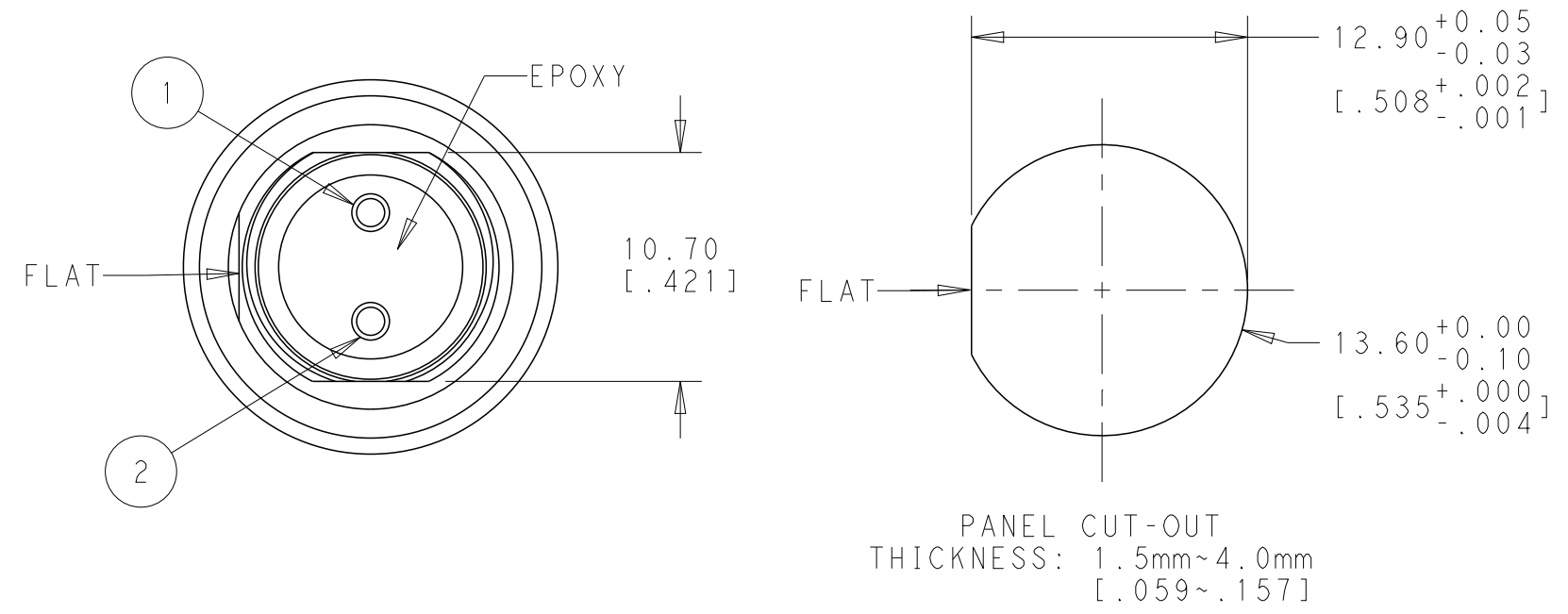
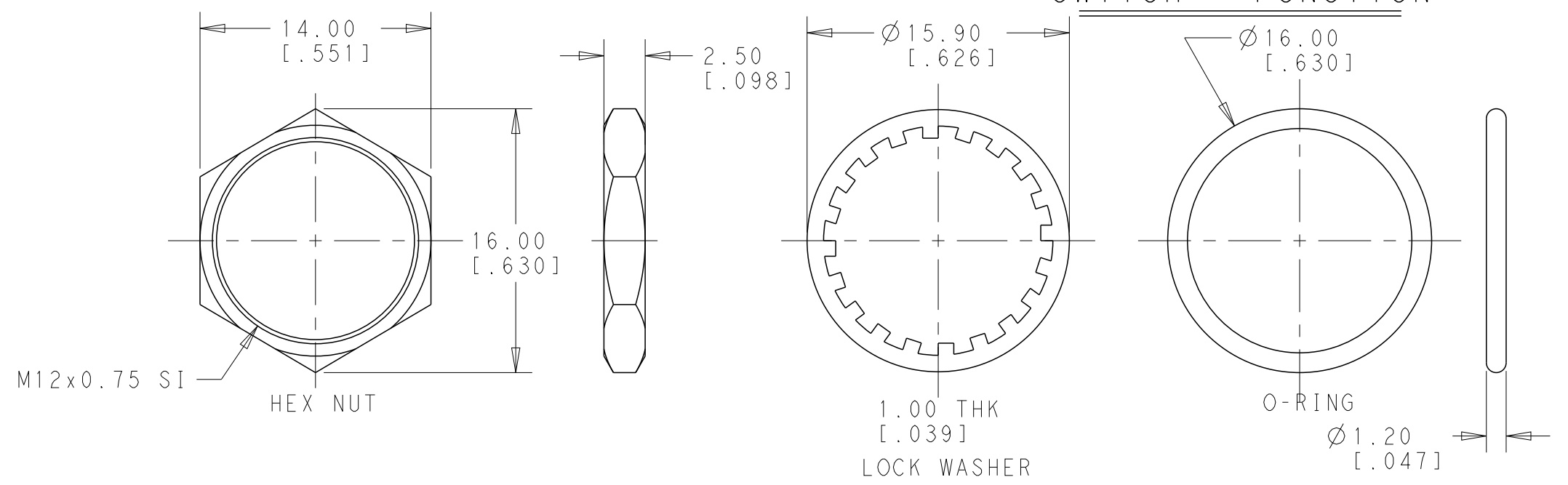
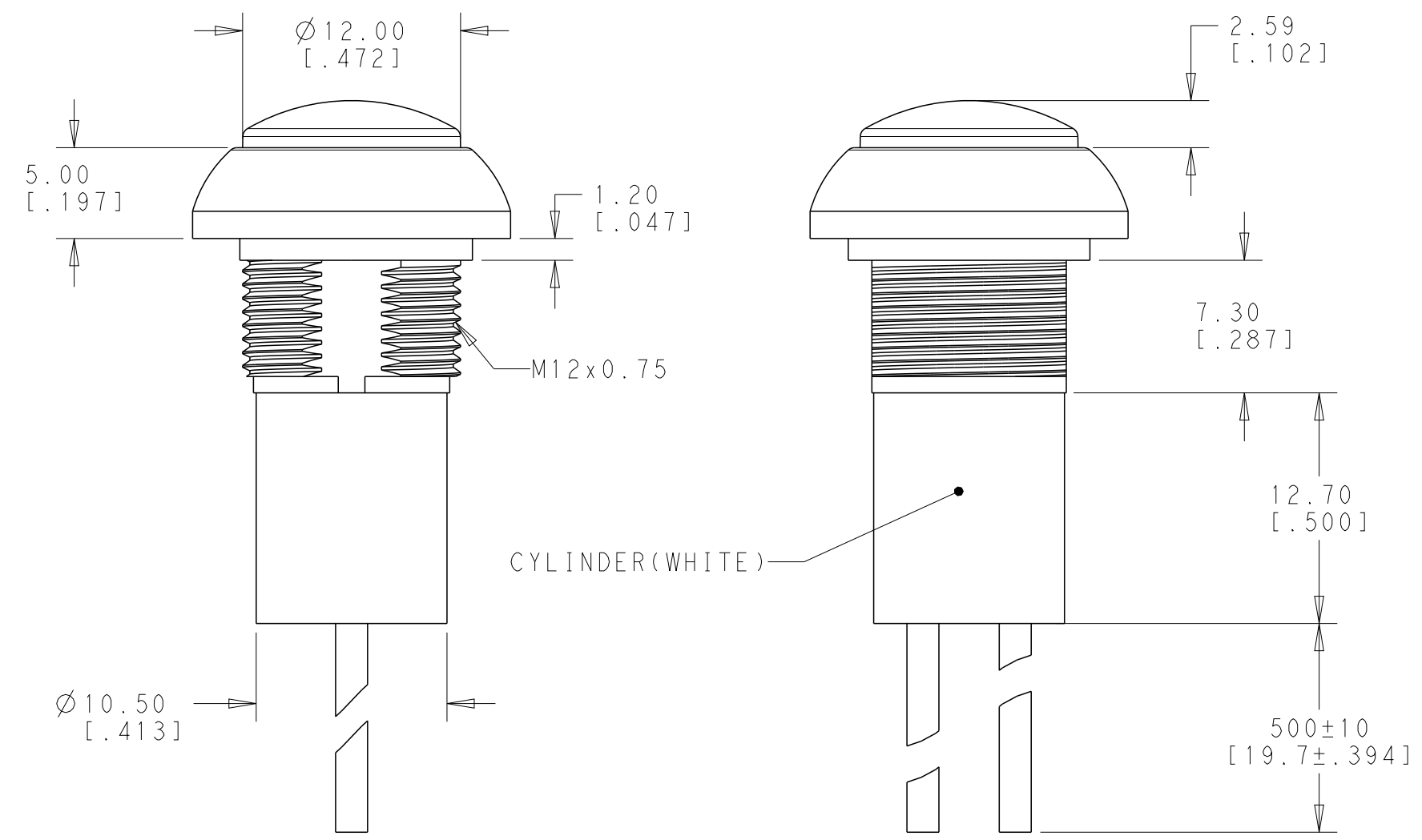
THIS DRAWING IS UNPUBLISHED. RELEASED FOR PUBLICATION  
 © COPYRIGHT copyright.d8te- ALL RIGHTS RESERVED.

REVISIONS				
P	LTR	DESCRIPTION	DATE	APVD
1		NEW DRAWING	22FEB2018	RS AS



FLYING LEADS WITH COMMON STRAIN RELIEF OFF-(ON)

Model No.	POS. 1	POS. 2
PB6	OFF	MOM(ON)
CONNECTED TERMINALS	OPEN	CLOSE
SCHEMATIC		



**SPECIFICATIONS:**  
 MAXIMUM CURRENT/VOLTAGE RATING WITH RESISTIVE LOAD:  
 400mA 32VAC, 200mA 50VDC, 125mA 125VAC  
 INITIAL CONTACT RESISTANCE: 100mΩ MAXIMUM, RESISTANCE OF THE WIRE NOT INCLUDED.  
 INSULATION RESISTANCE: 1 GΩ MINIMUM AT 500 VDC  
 DIELECTRIC STRENGTH: 1,500 VAC RMS  
 CONTACT BOUNCE: 10ms  
 ELECTRICAL LIFE AT FULL LOAD: 500,000 CYCLES  
 MECHANICAL LIFE: 1,000,000 CYCLES  
 TOTAL TRAVEL: 1.5 (.059)  
 ACTUATION FORCE: 3 TO 6N  
 OPERATING TEMPERATURE: -30° TO 85° C  
 DEGREE OF PROTECTION: IP68, 1 HOUR @ 1 METER  
 TORQUE: 0.5N·m MAXIMUM APPLIED TO NUT

**MATERIALS:**  
 CAP: POLYAMIDE 6/6  
 PLUNGER: POLYAMIDE 6/6 OR POLYCARBONATE  
 RUBBER: SILICONE  
 BUSHING: POLYAMIDE 6/6  
 CASE: DIALLYL PHTHALATE (DAP) (UL94 V-0)  
 TERMINALS/CONTACTS: COPPER ALLOY, GOLD OVER SILVER PLATED  
 HEX NUT: BRASS, NICKEL PLATED (1)  
 LOCK WASHER: BRASS, NICKEL PLATED (1)  
 O-RING: SILICONE (1)  
 WIRE: UL 3385, AWG 20, SECTION 0.6mm<sup>2</sup>  
 SPRING: STEEL  
 CYLINDER: PTFE

**PACKAGING:**  
 SWITCHES ARE BUNDLED. HARDWARE IS NOT ASSEMBLED TO THE SWITCH.

**COMPLIANCE:**  
 ALL MATERIALS AND FINISHES SHALL COMPLY WITH EU DIRECTIVE 2002/95/EC OF 27JAN2003(RoHS)

**SOLDER PROCESSING:**  
 MANUAL SOLDERING: SOLDER IRON, 30 WATTS, CONTROLLED AT 350° C, APPROXIMATELY 5 SECONDS WHILE APPLYING SOLDER.

NO.	DESCRIPTION	WIRE COLOR
2	TERMINAL 2	BLACK
1	TERMINAL 1	BLACK


1. HARDWARE IS SHIPPED UNASSEMBLED.

THIS DRAWING IS A CONTROLLED DOCUMENT.		DWN	22FEB2018	<b>STE</b> TE Connectivity													
DIMENSIONS: mm [INCHES]		CHK	22FEB2018														
TOLERANCES UNLESS OTHERWISE SPECIFIED:		APVD	22FEB2018														
<table border="1"> <tr><td>0 PLC</td><td>±</td></tr> <tr><td>1 PLC</td><td>±0.4 [0.016]</td></tr> <tr><td>2 PLC</td><td>±0.25 [0.010]</td></tr> <tr><td>3 PLC</td><td>±</td></tr> <tr><td>4 PLC</td><td>±</td></tr> <tr><td>ANGLES</td><td>±5°</td></tr> <tr><td>FINISH</td><td>-</td></tr> </table>		0 PLC	±		1 PLC	±0.4 [0.016]	2 PLC	±0.25 [0.010]	3 PLC	±	4 PLC	±	ANGLES	±5°	FINISH	-	NAME: ALEXANDER SHARPE
0 PLC	±																
1 PLC	±0.4 [0.016]																
2 PLC	±0.25 [0.010]																
3 PLC	±																
4 PLC	±																
ANGLES	±5°																
FINISH	-																
MATERIAL		PRODUCT SPEC		SWITCH, PUSHBUTTON, ROUND CAP, NO LED, FLYING LEADS WITH COMMON STRAIN RELIEF, SEALED, OFF-(ON)													
		APPLICATION SPEC															
		WEIGHT		SIZE: A200779													
		CUSTOMER DRAWING		CAGE CODE: C-2329361													
		SCALE: 5:1		DRAWING NO: 1 OF 2													
		SHEET: 1 OF 2		REV: 1													

THIS DRAWING IS UNPUBLISHED.      RELEASED FOR PUBLICATION  
 © COPYRIGHT copyright.d8te      ALL RIGHTS RESERVED.

REVISIONS				
P	LTR	DESCRIPTION	DATE	APVD
-	-	SEE SHEET 1	-	-

POLE	THROW	TERMINAL TYPE	CAP TYPE & COLOR	LED COLOR	TE DESCRIPTIVE PART NUMBER	PART NUMBER
SINGLE POLE	OFF-(ON) MOMENTARY	FLYING LEADS WITH COMMON STRAIN RELIEF	ROUND, SHINY BLUE	N/A	PB6B2RS7MICAL00S500	2329361-5
			ROUND, SHINY GREEN	N/A	PB6B2RS6MICAL00S500	2329361-4
			ROUND, SHINY YELLOW	N/A	PB6B2RS5MICAL00S500	2329361-3
			ROUND, SHINY RED	N/A	PB6B2RS3MICAL00S500	2329361-2
			ROUND, SHINY BLACK	N/A	PB6B2RS2MICAL00S500	2329361-1

THIS DRAWING IS A CONTROLLED DOCUMENT.		DWN RAVLS 22FEB2018	 TE Connectivity	
DIMENSIONS: mm [INCHES]		CHK ALEXANDER SHARPE 22FEB2018		
TOLERANCES UNLESS OTHERWISE SPECIFIED: 0 PLC ± 1 PLC ±0.4 [0.016] 2 PLC ±0.25 [0.010] 3 PLC ± 4 PLC ± ANGLES ±5° FINISH		APVD ALEXANDER SHARPE 22FEB2018	NAME SWITCH, PUSHBUTTON, ROUND CAP NO LED, FLYING LEADS WITH COMMON STRAIN RELIEF, SEALED, OFF-(ON)	
MATERIAL		PRODUCT SPEC -	SIZE A200779	DRAWING NO C-2329361
		APPLICATION SPEC -	RESTRICTED TO	
		WEIGHT -	SCALE 5:1	SHEET 2 OF 2
		CUSTOMER DRAWING	REV 1	