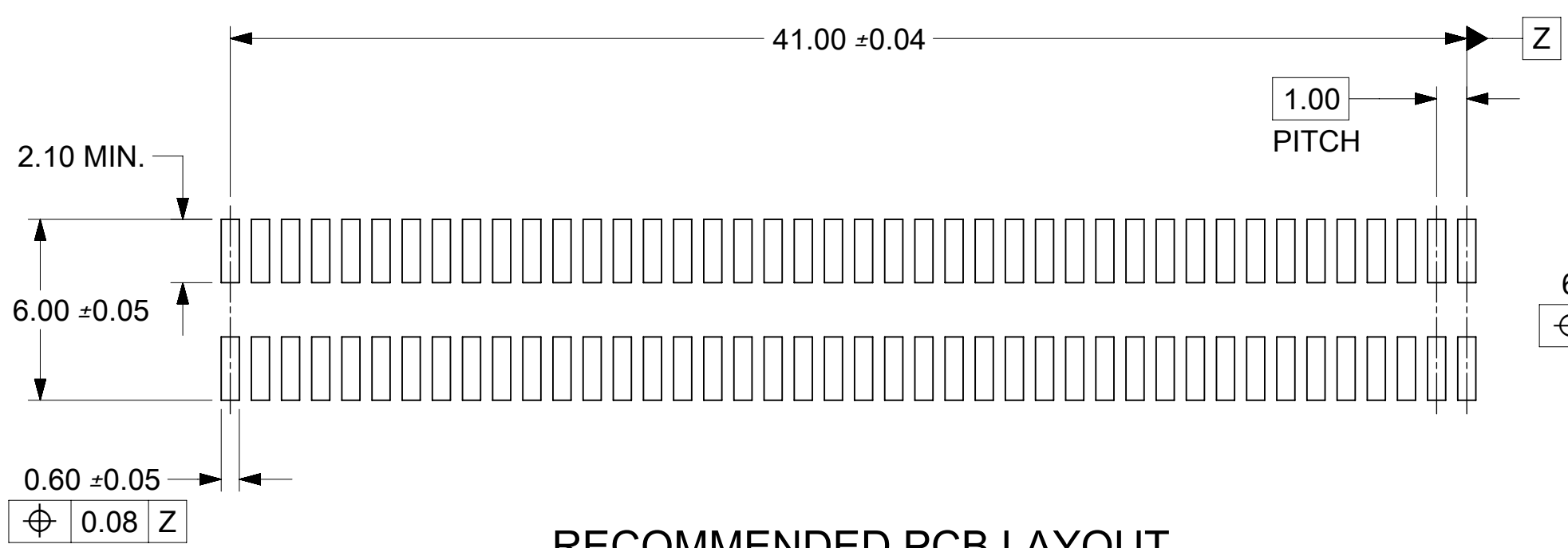
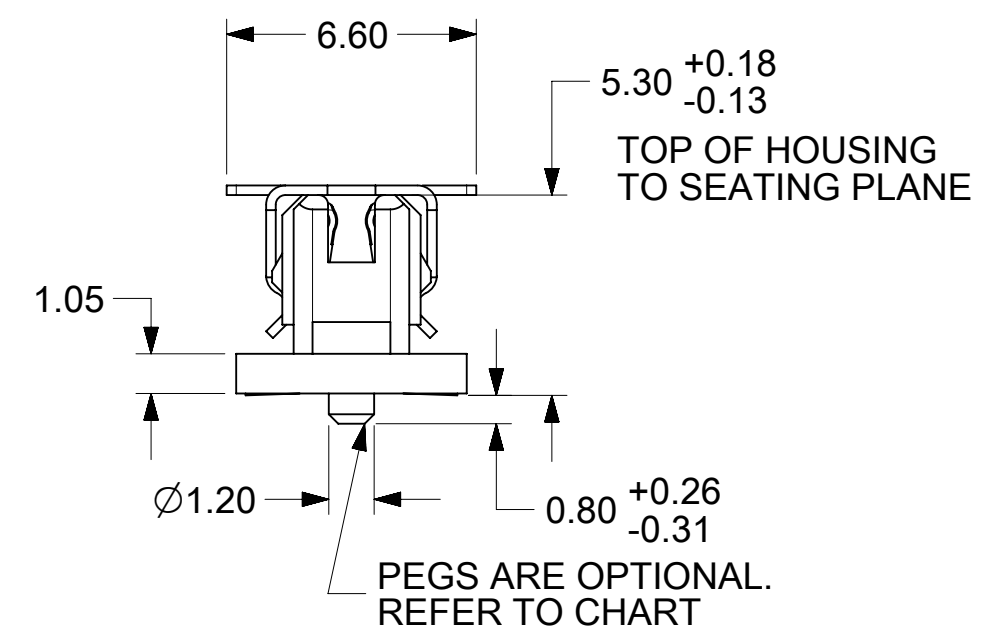
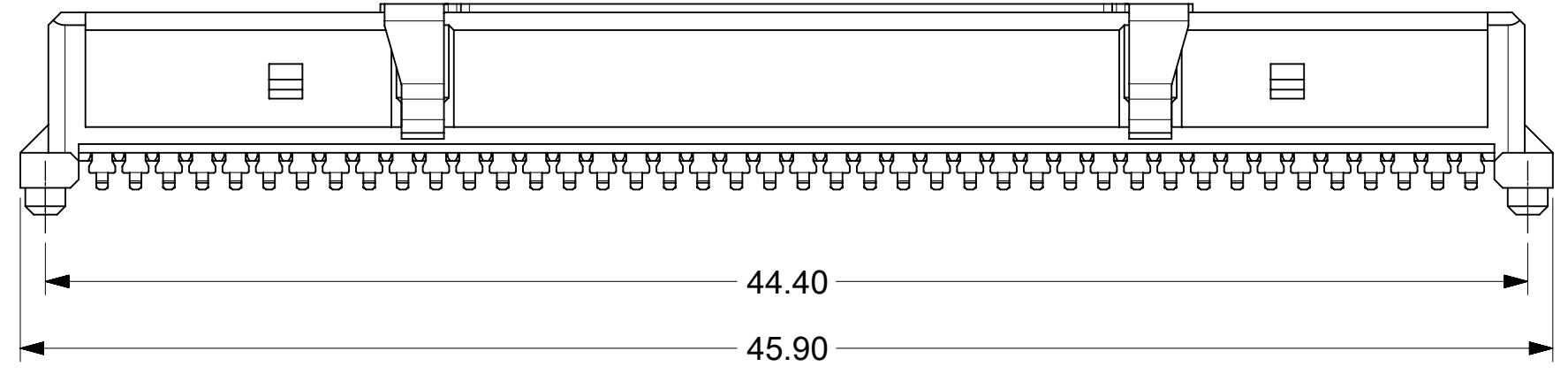
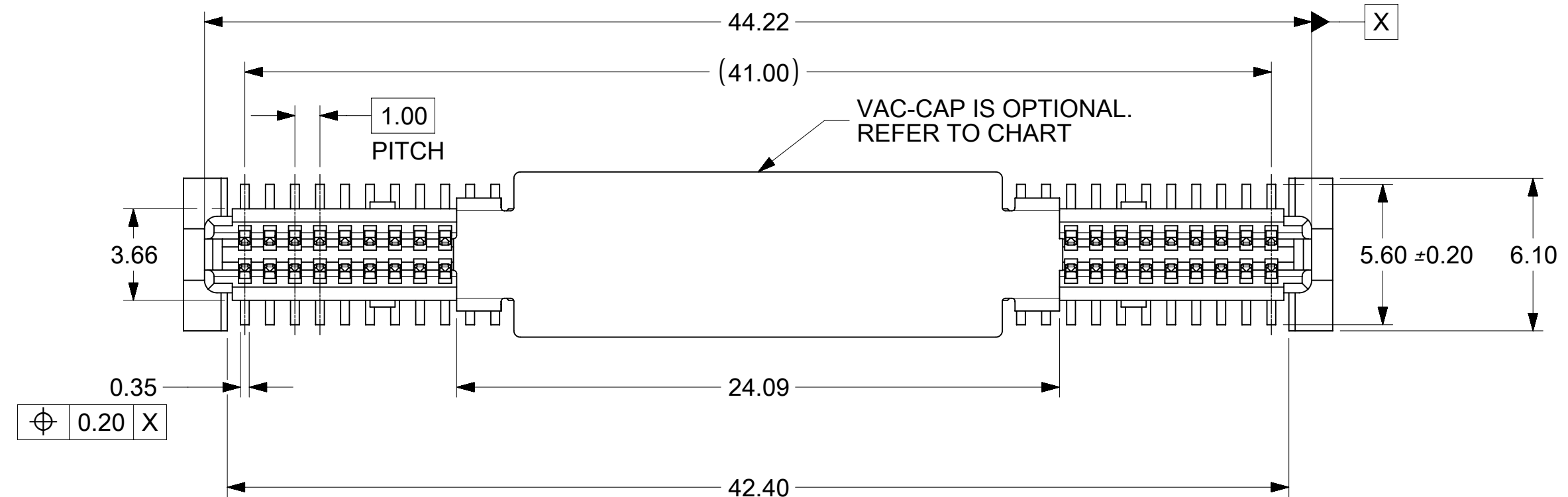
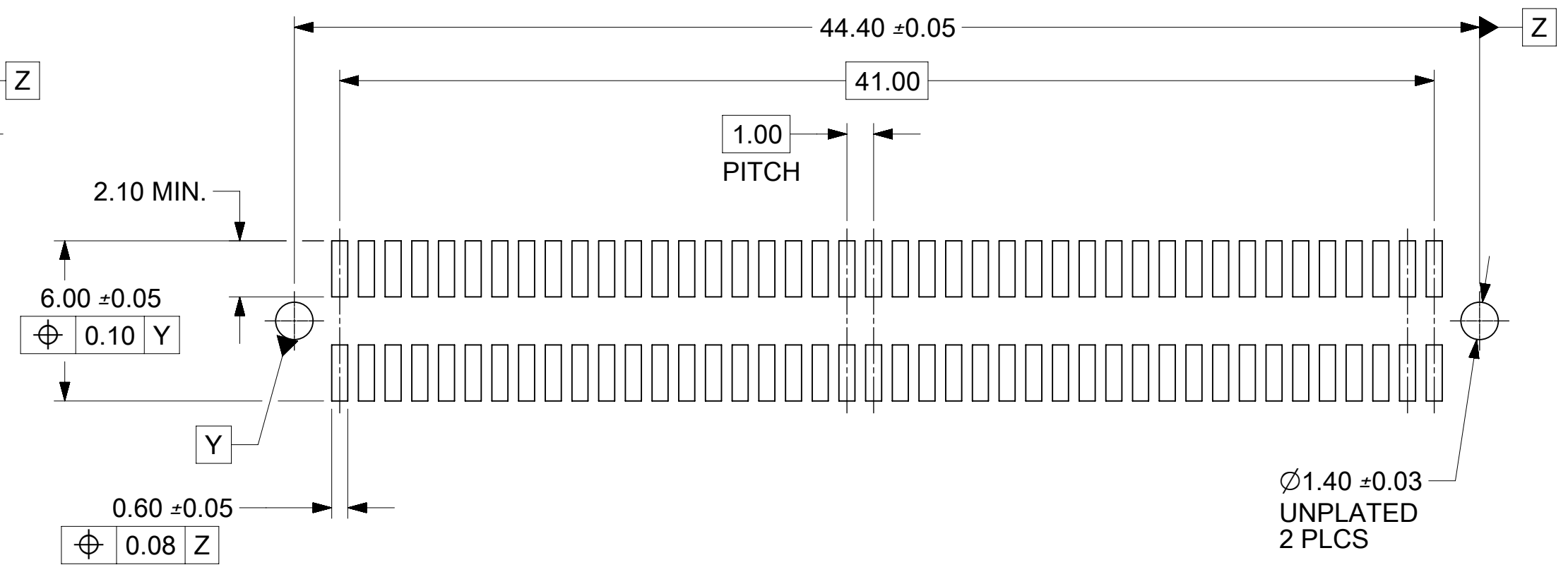


NOTES:

- HOUSING MATERIAL : GLASS FILLED LIQUID CRYSTAL POLYMER (LCP);
UL RATING: 94V-0; COLOR: WHITE
TERMINAL MATERIAL: PHOSPHOR BRONZE
VACUUM CAP MATERIAL: STAINLESS STEEL
- COPLANARITY OF SMT TAILS: 0.10 MAX.
- PACKAGING SPECIFICATION : REFER TO CHART
- THIS PART, WHEN MATED WITH MOLEX U.S.PART NO. 71741-0*** OR MOLEX JAPAN PART NO. 53543-0849, CONFORMS TO MOLEX PRODUCT SPECIFICATION PS-71741-9999.



RECOMMENDED PCB LAYOUT
RECOMMENDED PCB THICKNESS: 1.0±0.1 mm MIN.



RECOMMENDED PCB LAYOUT WITH PEGS
RECOMMENDED PCB THICKNESS: 1.0±0.1 mm MIN.

PLATINGS:

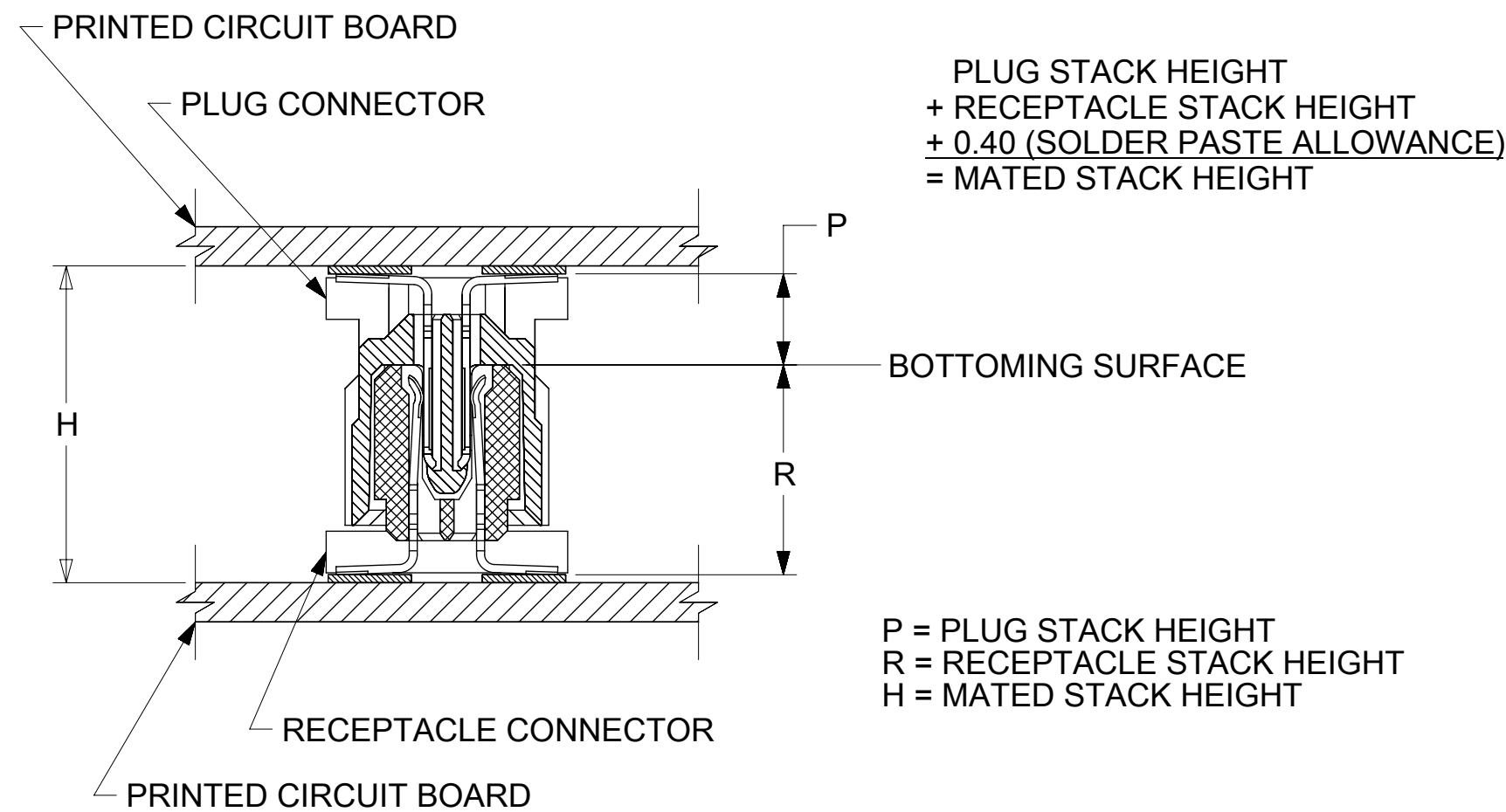
- X21 - .76 MICROMETERS MINIMUM GOLD PLATE IN SELECT AREA, 1.91 MICROMETERS MINIMUM TIN PLATE IN SELECT AREA, OVER NICKEL UNDERPLATE.
- X71 - .25 MICROMETERS MINIMUM GOLD PLATE IN SELECT AREA, 1.02 MICROMETERS MINIMUM TIN PLATE IN SELECT AREA, OVER NICKEL UNDERPLATE.

SYMBOLS										THIS DRAWING CONTAINS INFORMATION THAT IS PROPRIETARY TO MOLEX ELECTRONIC TECHNOLOGIES, LLC AND SHOULD NOT BE USED WITHOUT WRITTEN PERMISSION																																							
DIMENSION UNITS					SCALE					CURRENT REV DESC: REDRAWN IN NX																																							
mm					5:1																																												
GENERAL TOLERANCES (UNLESS SPECIFIED)																																																	
ANGULAR TOL ± 0.5°																																																	
4 PLACES ±					EC NO: 174191					2018/03/21																																							
3 PLACES ±					DRWN: TPREMO					2018/03/26																																							
2 PLACES ± 0.18					CHK'D: KLANG					2018/03/26																																							
1 PLACE ± 0.33					APPR: KLANG					2018/03/26																																							
0 PLACES ±					INITIAL REVISION:																																												
DRAFT WHERE APPLICABLE MUST REMAIN WITHIN DIMENSIONS					THIRD ANGLE PROJECTION					DRAWING					SERIES																																		
					C-SIZE					71742																																							
DOCUMENT STATUS										SALES ASSY, 1.0MM 84 CKT BTB RECEPTACLE CONNECTOR 5.30 STACK HEIGHT																																							
P1										PRODUCT CUSTOMER DRAWING																																							
RELEASE DATE										DOCUMENT NUMBER										DOC TYPE										DOC PART										REVISION									
2018/03/26 21:51:38										717420000										PSD										000										A									
MATERIAL NUMBER										CUSTOMER										SHEET NUMBER																													
SEE TABLE										GENERAL MARKET										1 OF 2																													

MATERIAL NUMBER	PEGS	PICK & PLACE CAP	PACKAGING SPEC. NUMBER	PACKAGING TYPE	TERMINAL PLATING SEE SHEET 1
71742-0006	YES	YES	PK-70873-063	TAPE & REEL	X21
71742-0005	NO	YES	PK-70873-063	TAPE & REEL	X21
71742-0004	YES	NO	PK-70873-013	TUBE	X71
71742-0003	YES	YES	PK-70873-063	TAPE & REEL	X71
71742-0002	NO	NO	PK-70873-015	TUBE	X71
71742-0001	NO	YES	PK-70873-063	TAPE & REEL	X71

RECOMMENDED PLUG/RECEPTACLE COMBINATION FOR
MATED STACK HEIGHT PER EIA STANDARD 700 AAAB

MATED STACK HEIGHT	RECEPTACLE HEIGHT	RECEPTACLE SERIES NO.	PLUG HEIGHT	PLUG SERIES NO.
8.00	5.30	71742-0***	2.30	71741-2***
10.00	5.30	71742-0***	4.30	71741-0***



SYMBOLS		THIS DRAWING CONTAINS INFORMATION THAT IS PROPRIETARY TO MOLEX ELECTRONIC TECHNOLOGIES, LLC AND SHOULD NOT BE USED WITHOUT WRITTEN PERMISSION	
DIMENSION UNITS	SCALE	CURRENT REV DESC: REDRAWN IN NX	
$\nabla = 0$	mm		
$\nabla = 0$	GENERAL TOLERANCES (UNLESS SPECIFIED)		
$\nabla = 0$	ANGULAR TOL $\pm 0.5^\circ$		
$\nabla = 0$	4 PLACES \pm	EC NO: 174191	2018/03/21
$\nabla = 0$	3 PLACES \pm	DRWN: TPREMO	2018/03/26
$\nabla = 0$	2 PLACES ± 0.18	CHK'D: KLANG	2018/03/26
$\nabla = 0$	1 PLACE ± 0.33	APPR: KLANG	2018/03/26
$\nabla = 0$	0 PLACES \pm	INITIAL REVISION:	
$\nabla = 0$	DRAFT WHERE APPLICABLE MUST REMAIN WITHIN DIMENSIONS	DRWN: JRR	95/08/14
$\nabla = 0$		APPR: CAB	95/08/14
	THIRD ANGLE PROJECTION	DRAWING	SERIES
		C-SIZE	71742
		MATERIAL NUMBER	CUSTOMER
		717420000	GENERAL MARKET
		DOC TYPE	DOC PART
		PSD	000
		REVISION	A
		SHEET NUMBER	2 OF 2

molex

SALES ASSY, 1.0MM 84 CKT BTB
RECEPTACLE CONNECTOR 5.30 STACK HEIGHT

PRODUCT CUSTOMER DRAWING

DOCUMENT NUMBER: 717420000
DOC TYPE: PSD
DOC PART: 000
REVISION: A

MATERIAL NUMBER: SEE TABLE
CUSTOMER: GENERAL MARKET
SHEET NUMBER: 2 OF 2