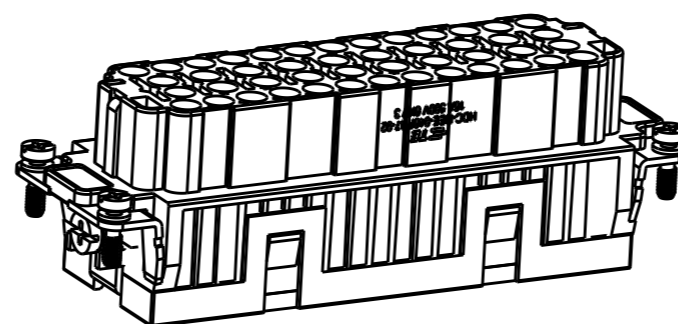
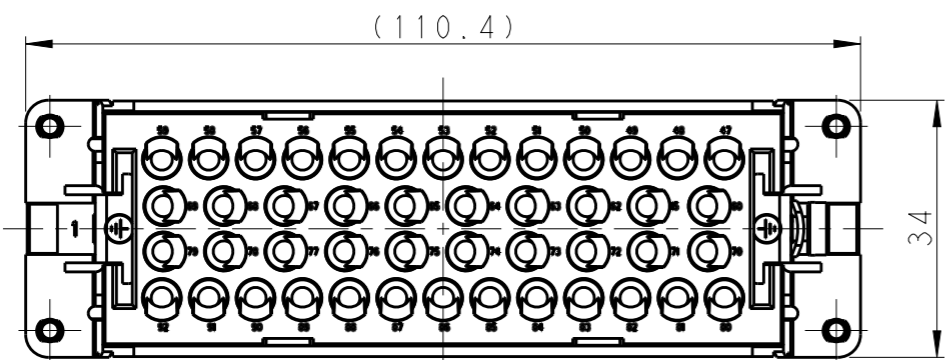
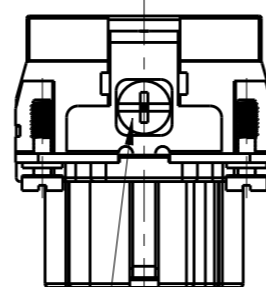
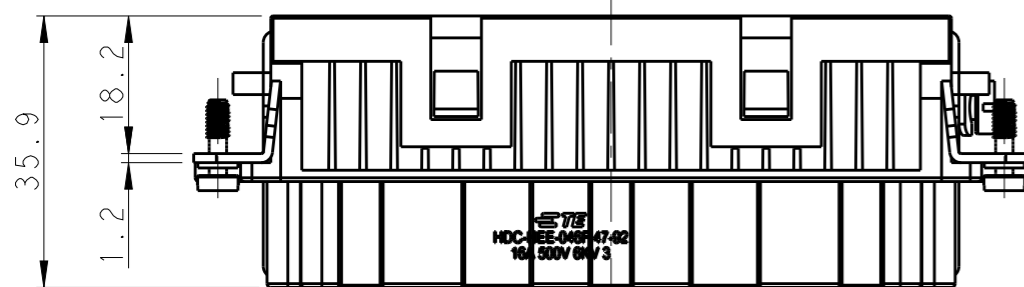


REVISIONS

P	LTR	DESCRIPTION	DATE	DWN	APVD
	A	INITIAL RELEASE	07SEP2017	YC	CW



SCALE 4:5



NOTES:

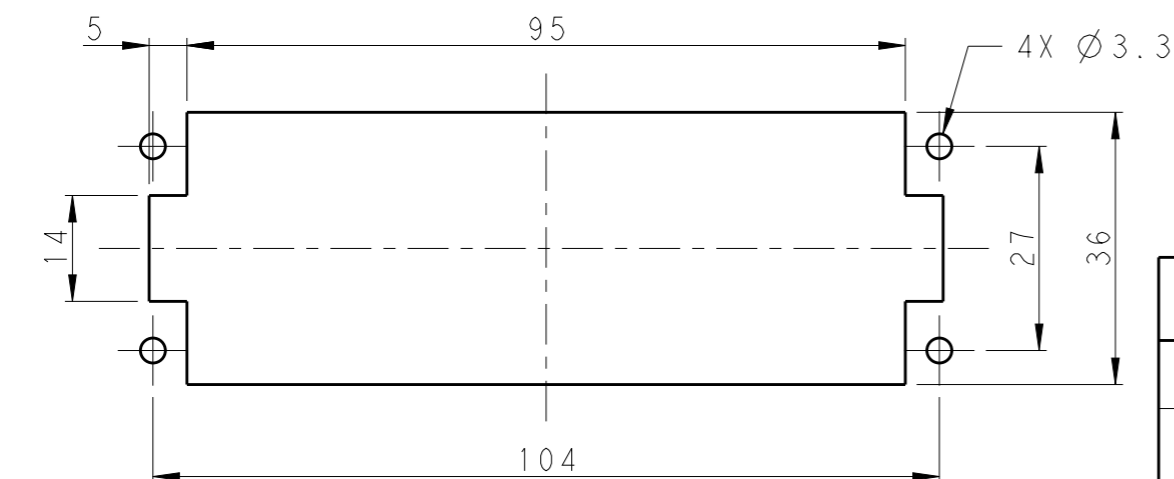
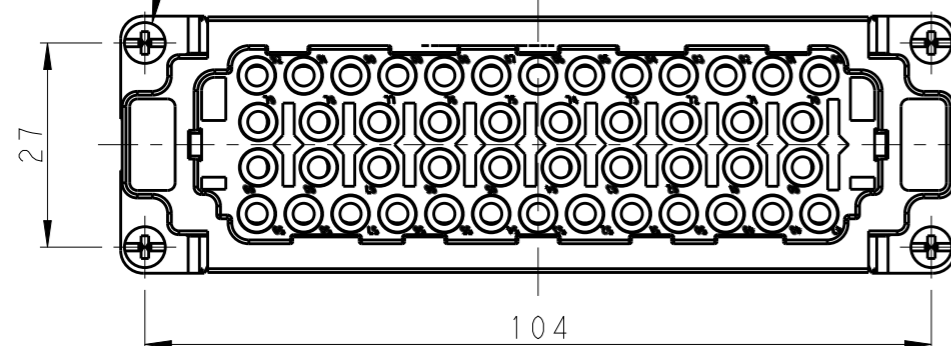
- TECHNICAL CHARACTERISTICS:  
 INSULATION MATERIAL: PC  
 RATED VOLTAGE: 500V  
 RATED CURRENT: 16A  
 INSULATION RESISTANCE:  $\geq 400M\Omega$   
 RATED IMPULSE VOLTAGE: 6KV  
 POLLUTION DEGREE: 3  
 FLAMMABILITY: UL94V-0  
 MATING CYCLES: 500 CYCLES  
 WIRE RANGE: 0.14-4 mm<sup>2</sup> (26-12 AWG)  
 CONTACT TYPE: CRIMP CONTACT
- CONTACT NEED TO BE ORDERED SEPARATELY.  
 (ORDER No. REFER TO DRAWING:T20300X20XX000)

4X M3 SCREW, RECOMMENDED  
 TIGHTENING TORQUE 0.5N.m  
 4X M3螺丝, 推荐锁紧力矩0.5N.m

M4 SCREW, RECOMMENDED  
 TIGHTENING TORQUE 1.2N.m  
 M4螺丝, 推荐锁紧力矩1.2N.m

注释:

- 技术参数:  
 绝缘材料: PC  
 额定电压: 500V  
 额定电流: 16A  
 绝缘电阻:  $\geq 400M\Omega$   
 额定脉冲电压: 6KV  
 污染等级: 3  
 阻燃等级: UL94V-0  
 插拔次数: 500次  
 接线范围: 0.14-4 mm<sup>2</sup> (26-12 AWG)  
 接线类型: 冷压接
- 端子需要单独订购。  
 (订货号参考图面: T20300X20XX000)



PANEL CUT FOR INSERTS FOR USING  
 WITHOUT HOODS/ HOUSINGS  
 不使用防护外壳时芯件的安装开孔图

THIS DRAWING IS A CONTROLLED DOCUMENT.

DIMENSIONS:	TOLERANCES UNLESS OTHERWISE SPECIFIED:
mm	
	0 PLC ±-
	1 PLC ±-
	2 PLC ±-
	3 PLC ±-
	4 PLC ±-
	ANGLES ±-

MATERIAL	FINISH
-	-

T2050922201-007	HEE-046-F 47-92	HEE-046 FEMALE INSERT 47-92 HEE-046 母插 47-92
PART NUMBER 料号	PART DESCRIPTION 描述	

DWN YORK CHEN 07SEP2017	 TE Connectivity	NAME HEE-046-F 47-92		
CHK GINO YAO 07SEP2017		PRODUCT SPEC 108-106137		
APVD CHRIS WANG 07SEP2017		APPLICATION SPEC 114-106137		
WEIGHT -		SIZE A3	CAGE CODE 00779	DRAWING NO T2050922201007
CUSTOMER DRAWING		SCALE 1:1	SHEET 1 OF 1	RESTRICTED TO -