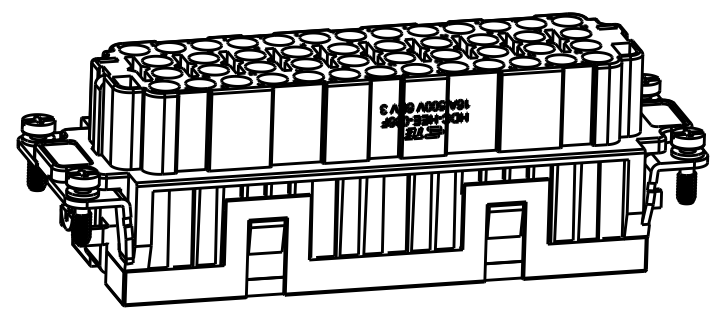
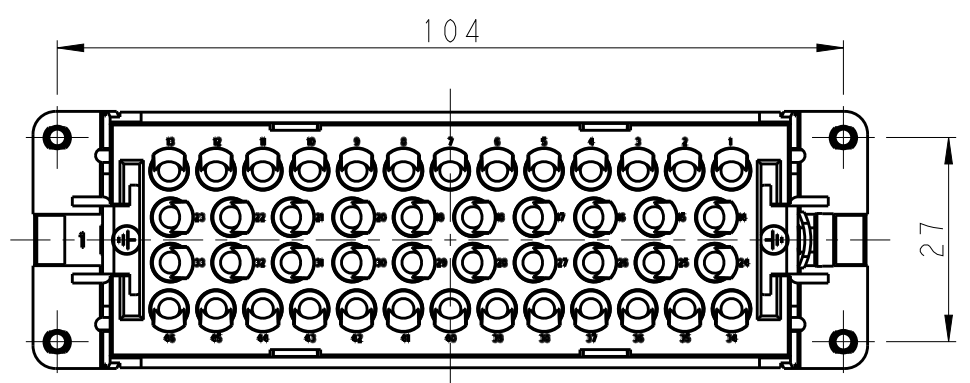
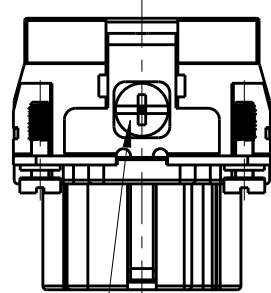
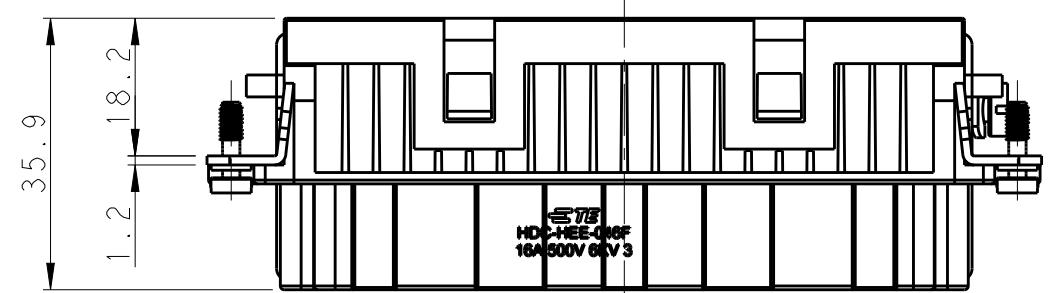


THIS DRAWING IS UNPUBLISHED. RELEASED FOR PUBLICATION 20
 © COPYRIGHT 20 BY - ALL RIGHTS RESERVED.

REVISIONS					
P	LTR	DESCRIPTION	DATE	DWN	APVD
	A	INITIAL RELEASE	07SEP2017	YC	CW



SCALE 4:5

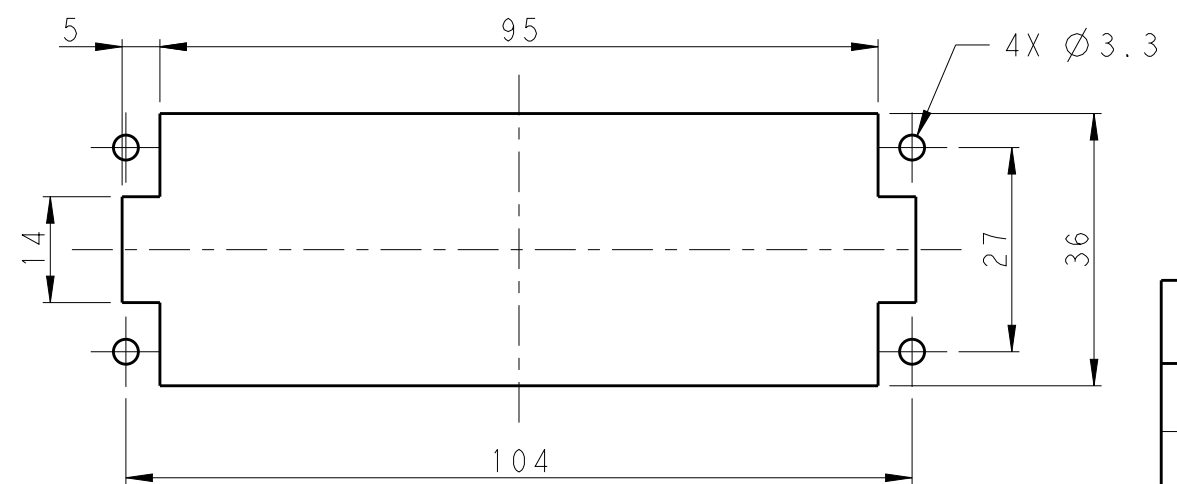
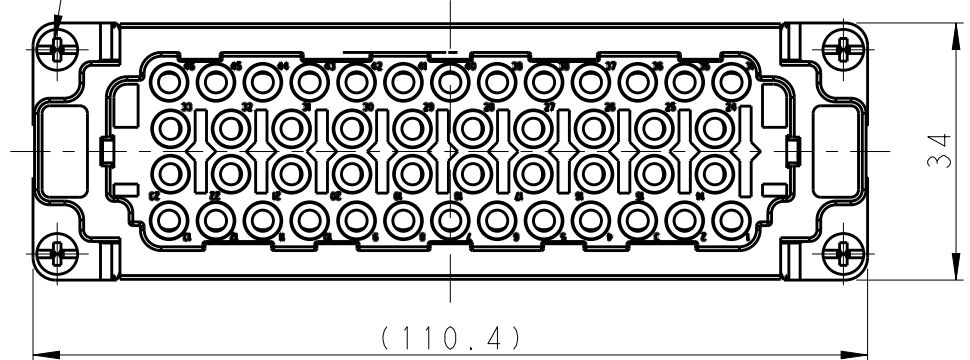


- NOTES:
- TECHNICAL CHARACTERISTICS:
 INSULATION MATERIAL: PC
 RATED VOLTAGE: 500V
 RATED CURRENT: 16A
 INSULATION RESISTANCE: $\geq 400M\Omega$
 RATED IMPULSE VOLTAGE: 6KV
 POLLUTION DEGREE: 3
 FLAMMABILITY: UL94V-0
 MATING CYCLES: 500 CYCLES
 WIRE RANGE: 0.14-4 mm² (26-12 AWG)
 CONTACT TYPE: CRIMP CONTACT
 - CONTACT NEED TO BE ORDERED SEPARATELY.
 (ORDER No. REFER TO DRAWING:T20300X20XX000)

- 注释:
- 技术参数:
 绝缘材料: PC
 额定电压: 500V
 额定电流: 16A
 绝缘电阻: $\geq 400M\Omega$
 额定脉冲电压: 6KV
 污染等级: 3
 阻燃等级: UL94V-0
 插拔次数: 500次
 接线范围: 0.14-4 mm² (26-12 AWG)
 接线类型: 冷压接
 - 端子需要单独订购。
 (订货号参考图面: T20300X20XX000)

4X M3 SCREW, RECOMMENDED
 TIGHTENING TORQUE 0.5N.m
 4X M3螺丝, 推荐锁紧力矩0.5N.m

M4 SCREW, RECOMMENDED
 TIGHTENING TORQUE 1.2N.m
 M4螺丝, 推荐锁紧力矩1.2N.m



PANEL CUT FOR INSERTS FOR USE
 WITHOUT HOODS/ HOUSINGS
 不使用防护外壳时芯件的安装开孔图

T2050462201-007	HEE-046-F	HEE-046 FEMALE INSERT HEE-046 母插
PART NUMBER 料号	PART DESCRIPTION 描述	

THIS DRAWING IS A CONTROLLED DOCUMENT.		DWN 07SEP2017 YORK CHEN	TE Connectivity	
DIMENSIONS: mm		CHK 07SEP2017 GINO YAO		
TOLERANCES UNLESS OTHERWISE SPECIFIED:		APVD 07SEP2017 CHRIS WANG	NAME HEE-046-F	
0 PLC ±-		PRODUCT SPEC 108-106137	SIZE CAGE CODE DRAWING NO RESTRICTED TO	
1 PLC ±-		APPLICATION SPEC 114-106137	A300779 © T2050462201007 -	
2 PLC ±-		WEIGHT -	SCALE 1:1 SHEET 1 OF 1 REV A	
3 PLC ±-		CUSTOMER DRAWING		
4 PLC ±-				
ANGLES ±-				
FINISH				
-				
-				