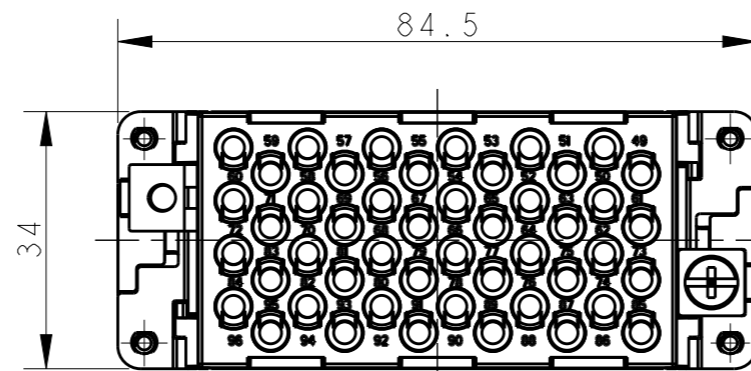
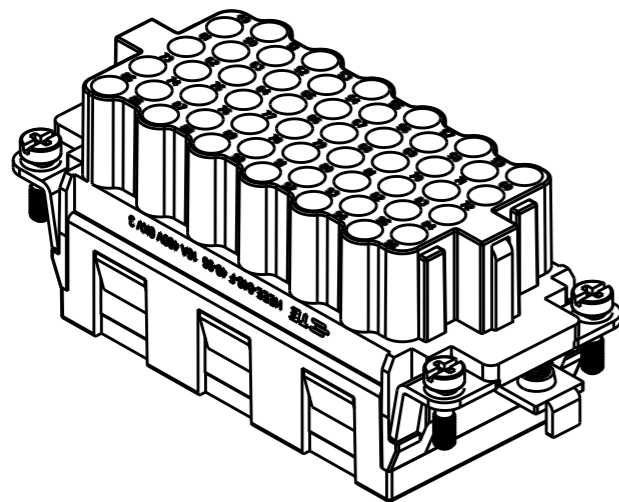


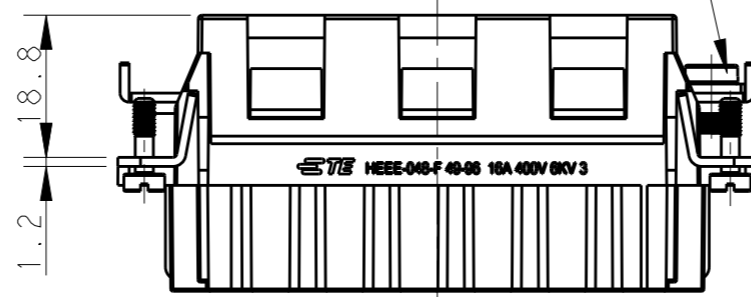
THIS DRAWING IS UNPUBLISHED. RELEASED FOR PUBLICATION 20
 © COPYRIGHT 20 BY - ALL RIGHTS RESERVED.

REVISIONS

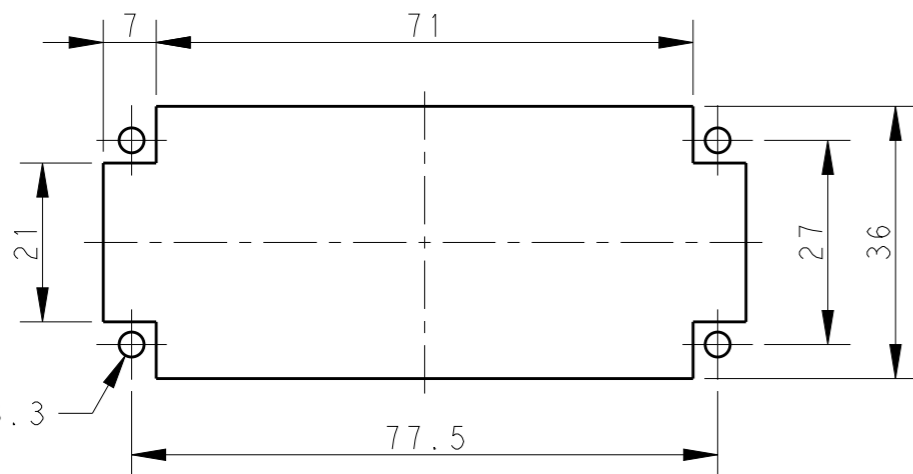
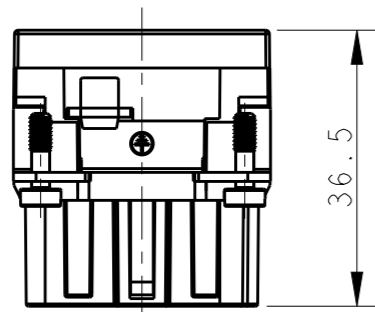
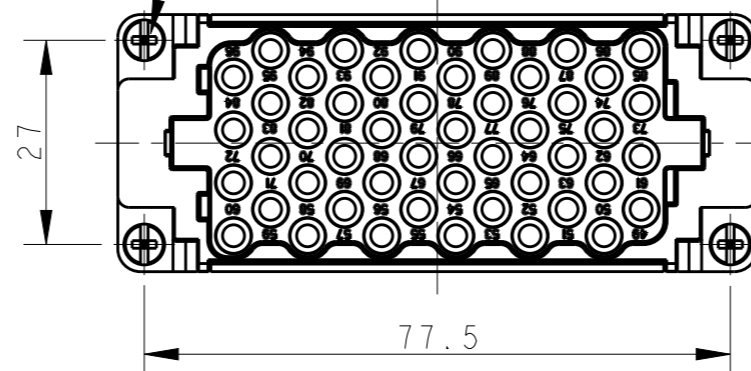
P	LTR	DESCRIPTION	DATE	DWN	APVD
	A	INITIAL RELEASE	30AUG2017	YC	CW



M4 SCREW, RECOMMENDED TIGHTENING TORQUE 1.2N.m
 M4 螺丝, 推荐拧紧力矩1.2N.m



4X M3 SCREW, RECOMMENDED TIGHTENING TORQUE 0.5N.m
 4X M3 螺丝, 推荐拧紧力矩0.5N.m



PANEL CUT FOR INSERTS FOR USE WITHOUT HOODS/ HOUSINGS
 不使用防护外壳时芯件安装平面开孔图

NOTES:

- TECHNICAL CHARACTERISTICS:
 INSULATION MATERIAL: PC
 RATED VOLTAGE: 400V
 RATED CURRENT: 16A
 INSULATION RESISTANCE: $\geq 400M\Omega$
 RATED IMPULSE VOLTAGE: 6KV
 POLLUTION DEGREE: 3
 FLAMMABILITY: UL94V-0
 MATING CYCLES: 500 CYCLES
 WIRE RANGE: $0.14mm^2 \sim 4mm^2$ (AWG26-AWG12)
 CONTACT TYPE: CRIMP CONTACT
- CONTACTS NEED TO BE ORDERED SEPARATELY.
 (ORDER No. REFER TO DRAWING: T20300X20XX000)

注释:

- 技术参数:
 绝缘材料: PC
 额定电压: 400V
 额定电流: 16A
 绝缘电阻: $\geq 400M\Omega$
 脉冲电压: 6KV
 污染等级: 3
 阻燃等级: UL94V-0
 插拔次数: 500次
 接线范围: $0.14mm^2 \sim 4mm^2$ (AWG26-AWG12)
 接线类型: 冷压接
- 端子需要单独订购。
 (订货号参考图面: T20300X20XX000)

T2050962201-007	HEEE-048-F 49-96	HEEE-048 FEMALE INSERT 49-96 HEEE-048母插 49-96
PART NUMBER 料号	PART DESCRIPTION 产品描述	

THIS DRAWING IS A CONTROLLED DOCUMENT.

DIMENSIONS:	TOLERANCES UNLESS OTHERWISE SPECIFIED:
mm	0 PLC \pm -
	1 PLC \pm -
	2 PLC \pm -
	3 PLC \pm -
	4 PLC \pm -
	ANGLES \pm -
MATERIAL	FINISH
-	-

DWN	30AUG2017
YORK CHEN	
CHK	30AUG2017
GINO YAO	
APVD	30AUG2017
CHRIS WANG	
PRODUCT SPEC	108-137068
APPLICATION SPEC	114-137068
WEIGHT	-
CUSTOMER DRAWING	

TE Connectivity		NAME		HEEE-048-F 49-96	
		SIZE	CAGE CODE	DRAWING NO	RESTRICTED TO
A300779		G-T2050962201007		-	
SCALE		SHEET		REV	
1:1		1 OF 1		A	