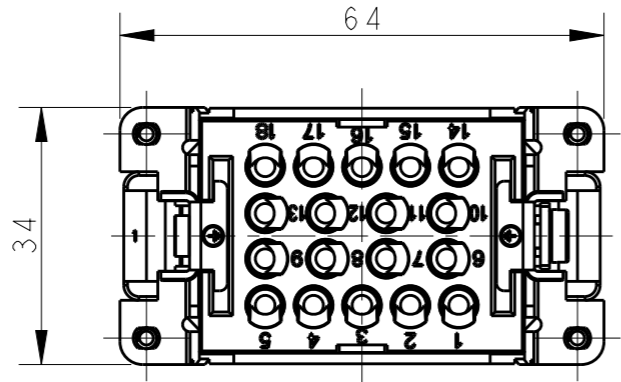
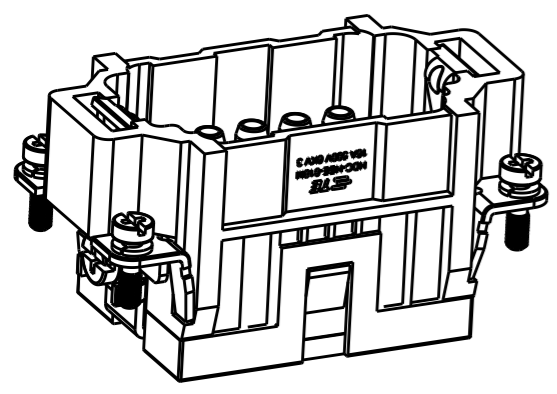
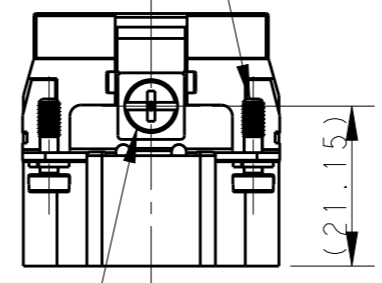
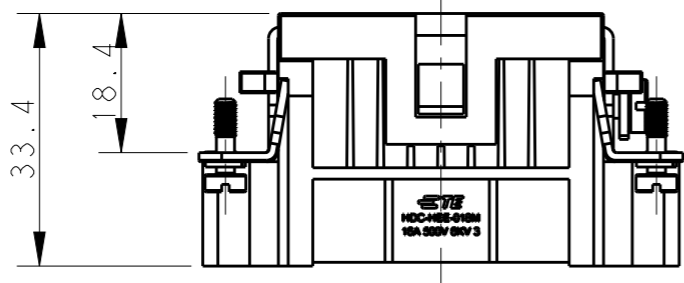
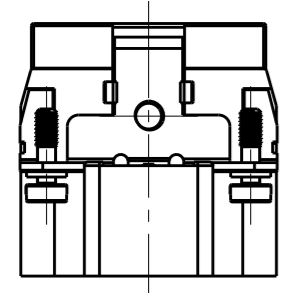


THIS DRAWING IS UNPUBLISHED. RELEASED FOR PUBLICATION 20
 © COPYRIGHT 20 BY - ALL RIGHTS RESERVED.

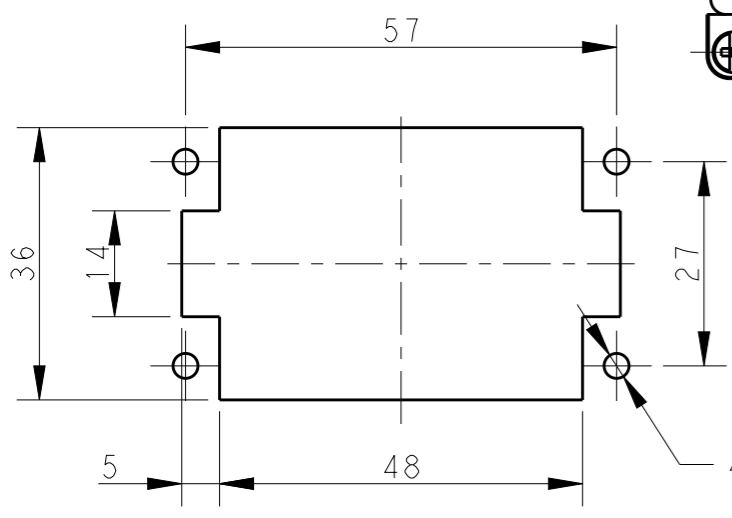
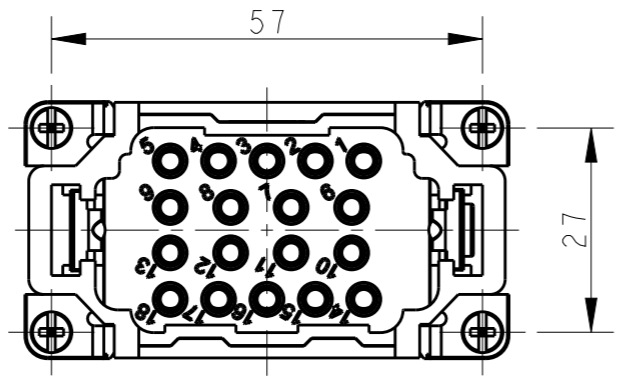
REVISIONS					
P	LTR	DESCRIPTION	DATE	DWN	APVD
	A	INITIAL RELEASE	07SEP2017	YC	CW



4X M3 SCREW, RECOMMENDED
 TIGHTENING TORQUE 0.5N.m
 4X M3螺丝, 推荐锁紧力矩0.5N.m



M4 SCREW, RECOMMENDED
 TIGHTENING TORQUE 1.2N.m
 M4螺丝, 推荐锁紧力矩1.2N.m



PANEL CUT FOR INSERTS FOR USING
 WITHOUT HOODS/ HOUSINGS
 不使用防护外壳时芯件的安装开孔图

- NOTES:
- TECHNICAL CHARACTERISTICS:
 INSULATION MATERIAL: PC
 RATED VOLTAGE: 500V
 RATED CURRENT: 16A
 INSULATION RESISTANCE: >=400MΩ
 RATED IMPULSE VOLTAGE: 6KV
 POLLUTION DEGREE: 3
 FLAMMABILITY: UL94V-0
 MATING CYCLES: 500 CYCLES
 WIRE RANGE: 0.14-4 mm² (26-12 AWG)
 CONTACT TYPE: CRIMP CONTACT
 - CONTACT NEED TO BE ORDERED SEPARATELY.
 (ORDER No. T20300X10XX-000)

- 注释:
- 技术参数:
 绝缘材料: PC
 额定电压: 500V
 额定电流: 16A
 绝缘电阻: >=400MΩ
 额定脉冲电压: 6KV
 污染等级: 3
 阻燃等级: UL94V-0
 插拔次数: 500次
 接线范围: 0.14-4 mm² (26-12 AWG)
 接线类型: 冷压接
 - 端子需要单独订购。
 (订货号 T20300X10XX-000)

T2050182101-007	HEE-018-M	HEE-018 MALE INSERT HEE-018 公插
PART NUMBER 料号	PART DESCRIPTION 描述	

THIS DRAWING IS A CONTROLLED DOCUMENT.		DWN 07SEP2017 YORK CHEN	TE Connectivity	
DIMENSIONS: mm		CHK 07SEP2017 GINO YAO		
TOLERANCES UNLESS OTHERWISE SPECIFIED:		APVD 07SEP2017 CHRIS WANG	NAME HEE-018-M	
0 PLC ±-		PRODUCT SPEC 108-106137	SIZE	
1 PLC ±-		APPLICATION SPEC 114-106137	CAGE CODE	
2 PLC ±-		WEIGHT -	DRAWING NO A300779	
3 PLC ±-		CUSTOMER DRAWING	RESTRICTED TO -	
4 PLC ±-			SCALE 1:1	
ANGLES ±-			SHEET 1 OF 1	
FINISH			REV A	