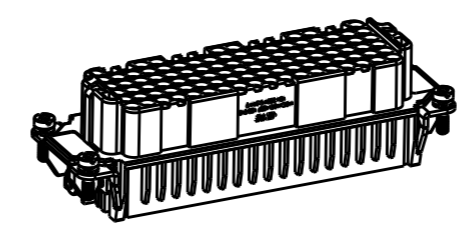
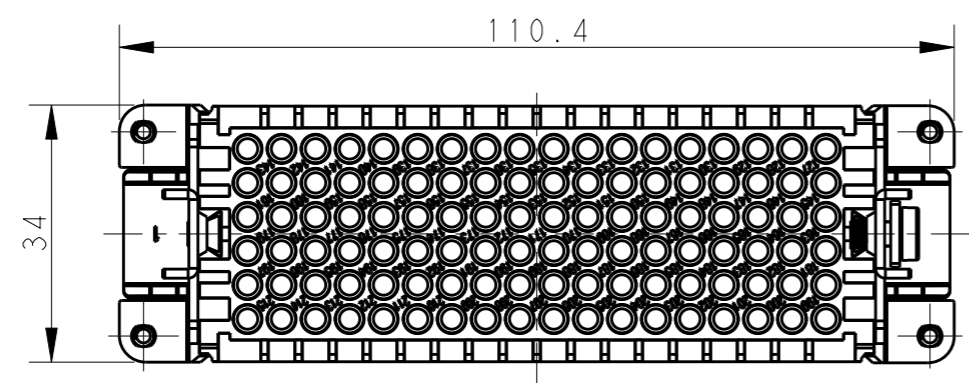


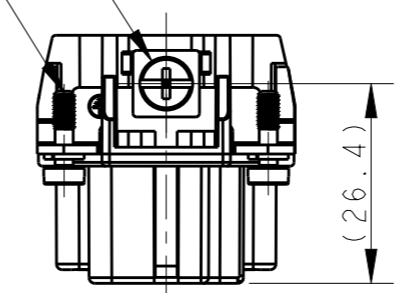
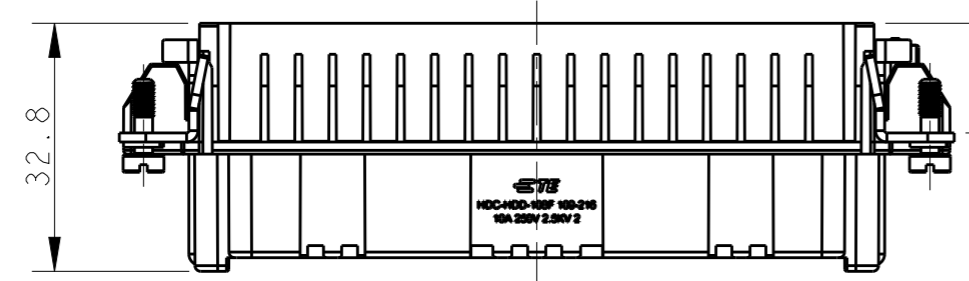
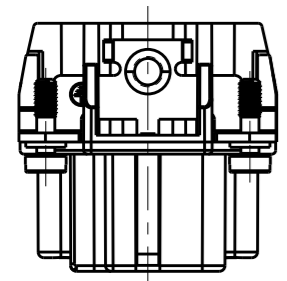
THIS DRAWING IS UNPUBLISHED. RELEASED FOR PUBLICATION 20
 © COPYRIGHT 20 BY - ALL RIGHTS RESERVED.

| REVISIONS | | | | | |
|-----------|-----|-----------------|-----------|-----|------|
| P | LTR | DESCRIPTION | DATE | DWN | APVD |
| | A | INITIAL RELEASE | 23AUG2017 | YC | CW |



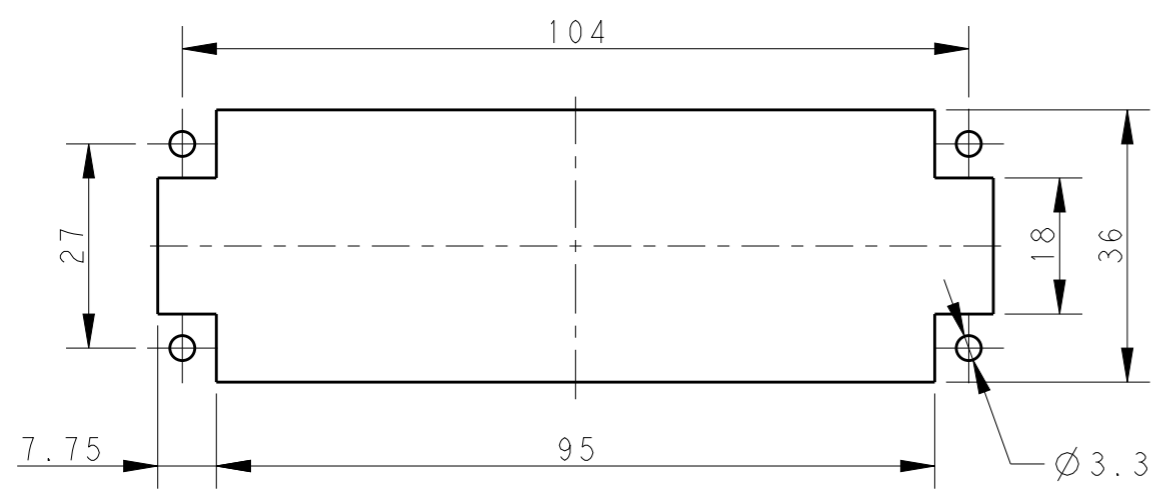
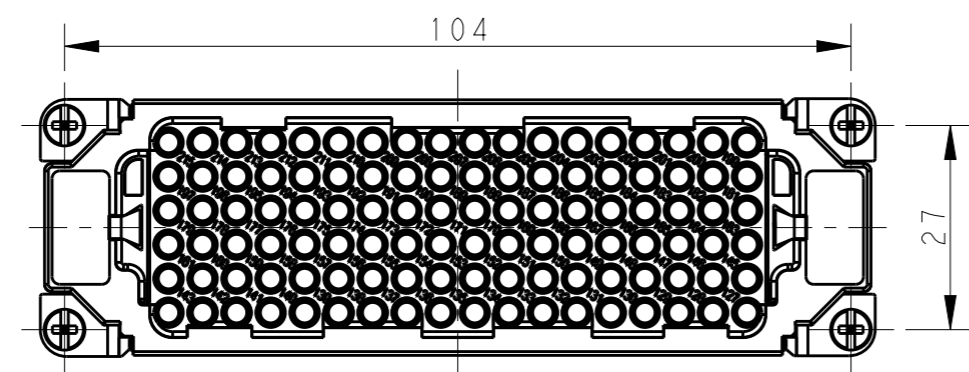
SCALE 1:2

M4 SCREW
 RECOMMENDED TIGHTENING TORQUE 1.2N.m
 M4螺丝, 推荐拧紧力矩1.2N.m
 4X M3 SCREW
 RECOMMENDED TIGHTENING TORQUE 0.5N.m
 4X M3螺丝, 推荐拧紧力矩0.5N.m



NOTES:
 1. TECHNICAL CHARACTERISTICS:
 INSULATION MATERIAL: PC
 RATED VOLTAGE: 250 V
 RATED CURRENT: 10 A
 INSULATION RESISTANCE: $\geq 400M\Omega$
 RATED IMPULSE VOLTAGE: 2.5 KV
 POLLUTION DEGREE: 2
 FLAMMABILITY: UL94V-0
 MATING CYCLES: 500 CYCLES
 WIRE RANGE: 0.14-2.5 mm² (26-14 AWG)
 CONTACT TYPE: CRIMP CONTACT
 2. CONTACT NEED TO BE ORDERED SEPARATELY.
 (ORDER No. REFER TO DRAWING: T20200X20XX000)

注释:
 1. 技术参数:
 绝缘材料: PC
 额定电压: 250V
 额定电流: 10A
 绝缘电阻: $\geq 400M\Omega$
 额定脉冲电压: 2.5 KV
 污染等级: 2
 阻燃等级: UL94V-0
 插拔次数: 500次
 接线范围: 0.14-2.5 mm² (26-14 AWG)
 接线类型: 冷压接
 2. 端子需要单独订购.
 (订货号参考图面: T20200X20XX000)



PANEL CUT OUT FOR INSERTS FOR USING WITHOUT HOODS/HOUSINGS
 不使用防护外壳时平面开孔尺寸

| | | |
|-------------------|--------------------------|---|
| T2032162201-007 | HDD-108-F 109-216 | HDD-108 FEMALE INSERT 109-216 HDD-108 母插 109-216 |
| PART NUMBER 料号 | PART DESCRIPTION 产品描述 | |

| | | | | |
|---|--|--------------------------------|---------------------------|------------------------------|
| THIS DRAWING IS A CONTROLLED DOCUMENT. | | DWN 23AUG2017 YORK CHEN | TE Connectivity | |
| | | CHK 23AUG2017 GINO YAO | | |
| | | APVD 23AUG2017 CHRIS WANG | NAME HDD-108-F 109-216 | |
| DIMENSIONS: mm | | PRODUCT SPEC 108-137043 | SIZE A3 | |
| TOLERANCES UNLESS OTHERWISE SPECIFIED: 0 PLC ±- 1 PLC ±- 2 PLC ±- 3 PLC ±- 4 PLC ±- ANGLES ±- | | APPLICATION SPEC 114-137043 | CAGE CODE - | DRAWING NO T2032162201007 |
| MATERIAL - | | FINISH - | WEIGHT - | RESTRICTED TO - |
| CUSTOMER DRAWING | | | SCALE 1:1 | SHEET 1 OF 1 REV A |