

THIS DRAWING IS UNPUBLISHED.

RELEASED FOR PUBLICATION

2011

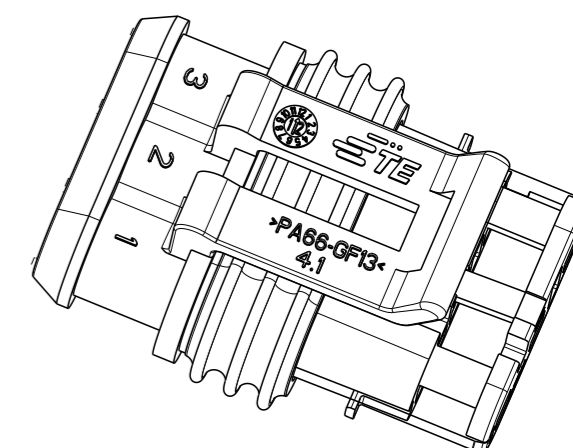
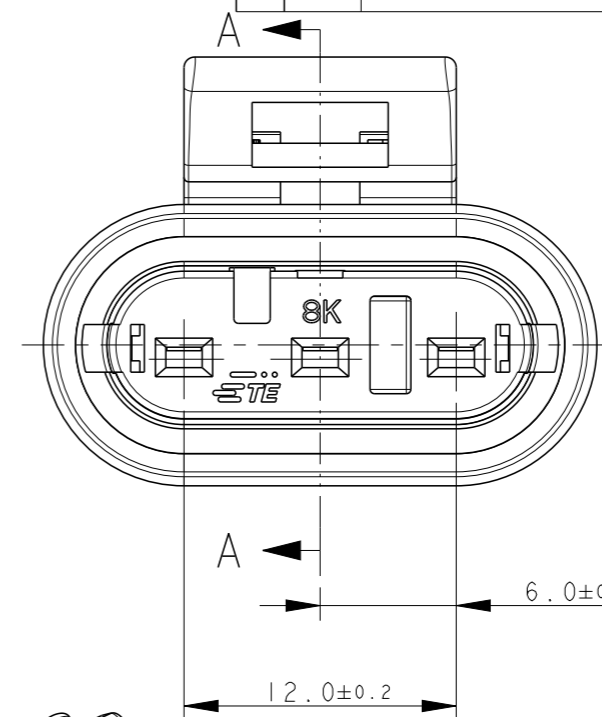
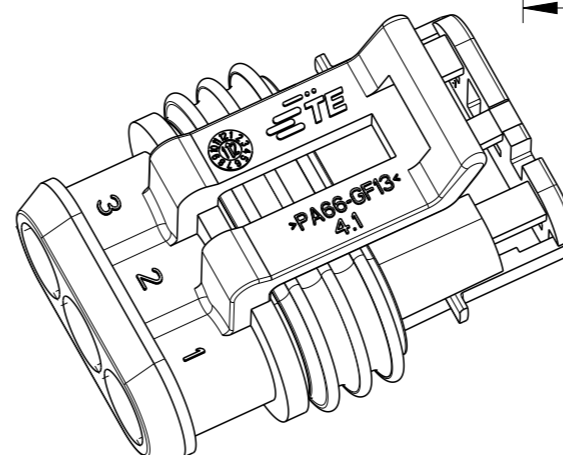
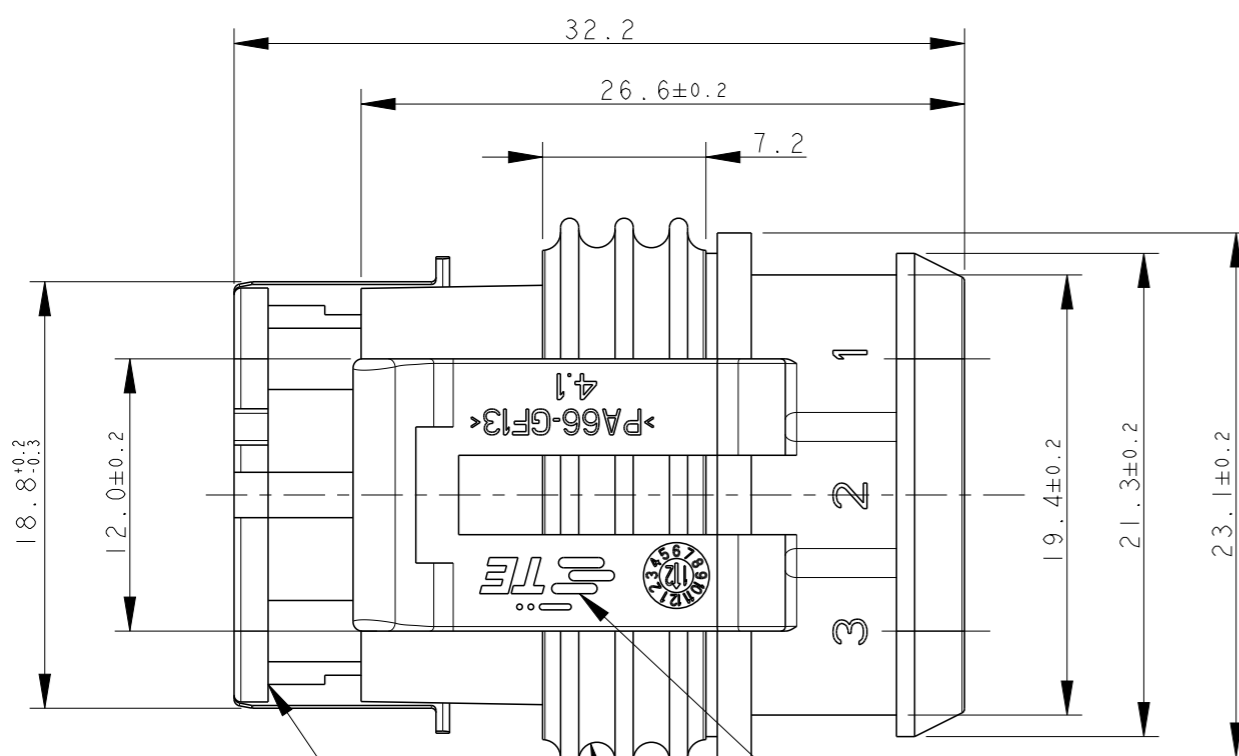
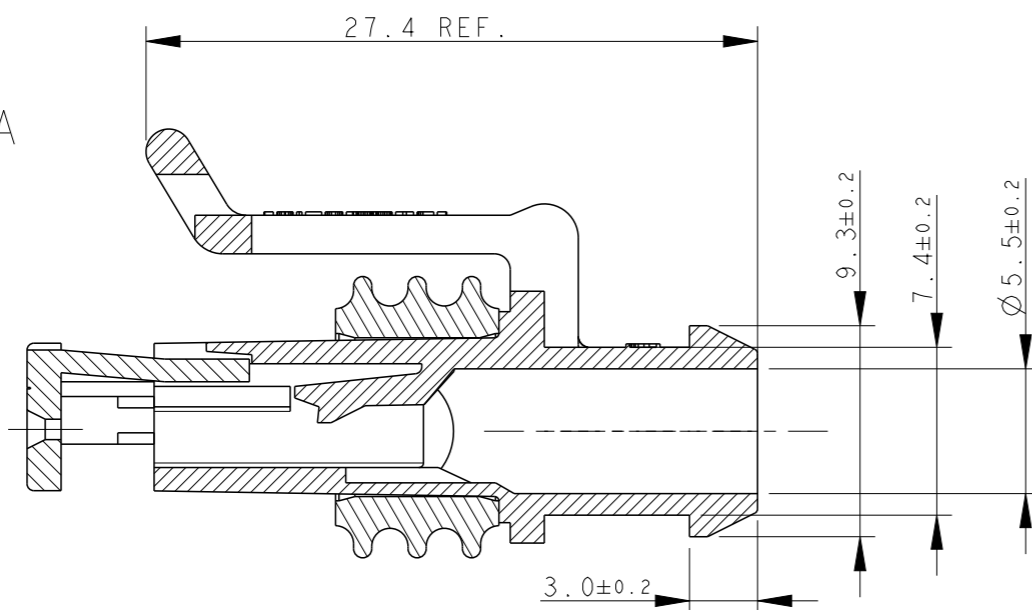
© COPYRIGHT 2011

ALL RIGHTS RESERVED.

REVISIONS

P	LTR	DESCRIPTION	DATE	DWN	APVD
C2		ADDED FSL SEAL VERSION (ECO-15-016364)	13NOV2015	M.G.	M.G.
C3		REVISED PER ECO-17-001706	10FEB2017	C.A.	M.G.

SECTION A-A



(*)

1) FOR COUNTERPART DETAILS, SEE SHEET 2 OF 2

FINISH/COLOR	MATERIAL	PART NUMBER
GRAY	HOUSING+SEC.LOCK:PA 66-GF SEALING: FSL	1-282087-2 (*)
BLACK	HOUSING+SEC.LOCK:PA 66-GF SEALING: FSL	1-282087-1 (*)
GRAY	HOUSING+SEC.LOCK:PA 66-GF SEALING: LSR	282087-2
BLACK	HOUSING+SEC.LOCK:PA 66-GF SEALING: LSR	282087-1

TE CONNECTIVITY TRADE MARK (IN ALTERNATIVE: "AMP" LOGO OR "Tyco Electronics" LOGO)

SEALING (COLOUR YELLOW FOR LSR VERSION) (COLOUR WHITE FOR FSL VERSION)

PRE-ASSEMBLED SECONDARY LOCK (COLOUR RED)

THIS DRAWING IS A CONTROLLED DOCUMENT.

DIMENSIONS: mm



MATERIAL - SEE TABLE

TOLERANCES UNLESS OTHERWISE SPECIFIED:

0 PLC ±-

1 PLC ±0.3

2 PLC ±-

3 PLC ±-

4 PLC ±-

ANGLES ±2°

FINISH - SEE TABLE

DWN 07-1990 C. BERTINI

CHK 07-1990 A. BRUNI

APVD -

PRODUCT SPEC 108-20090

APPLICATION SPEC 412-20000

WEIGHT 3.65gr

Customer Drawing



TE Connectivity

AMP SUPERSEAL 1.5 SRS. 3 POSITIONS PLUG ASS'Y

NAME -

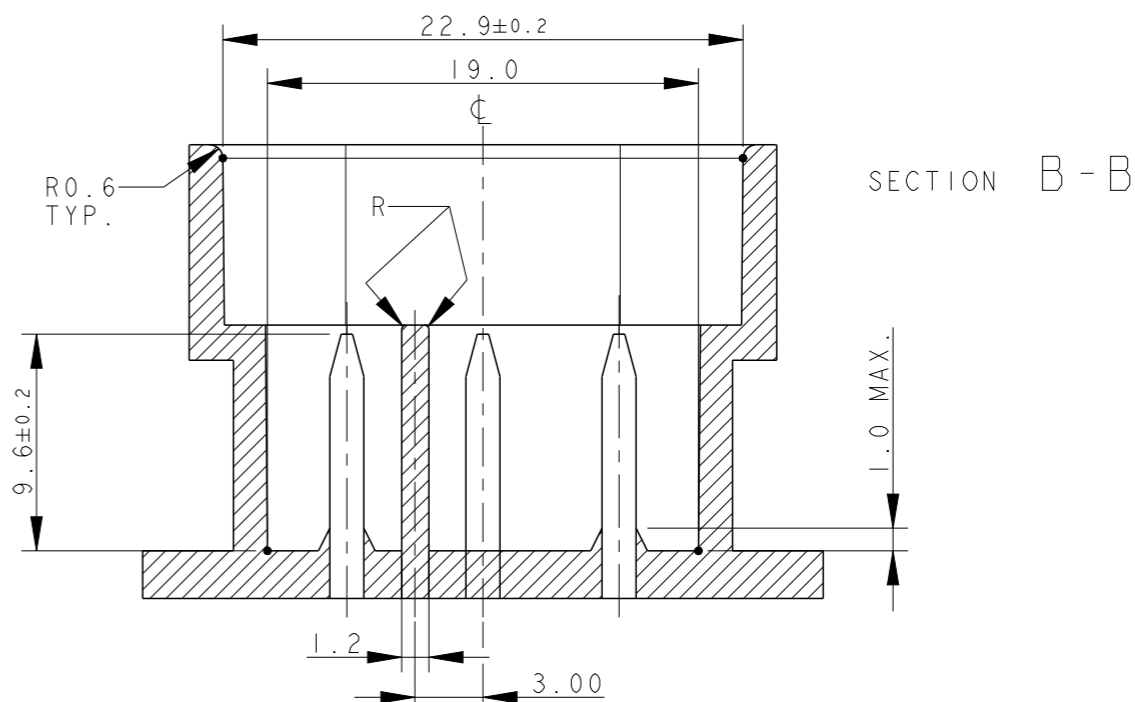
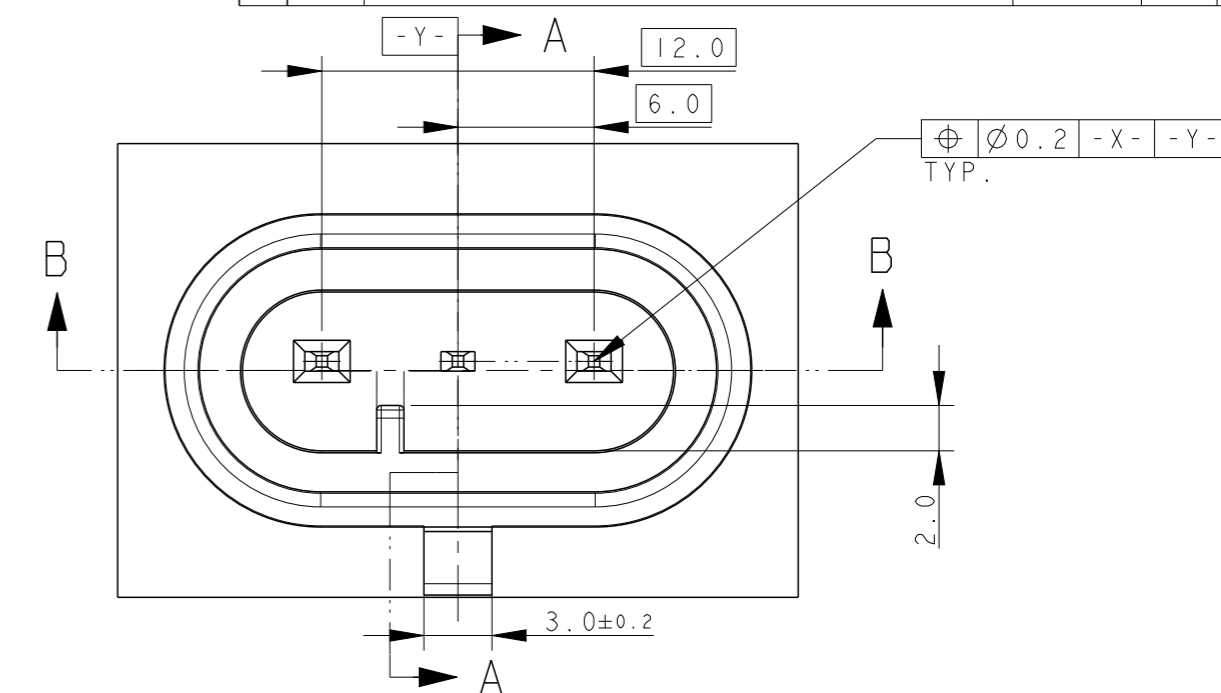
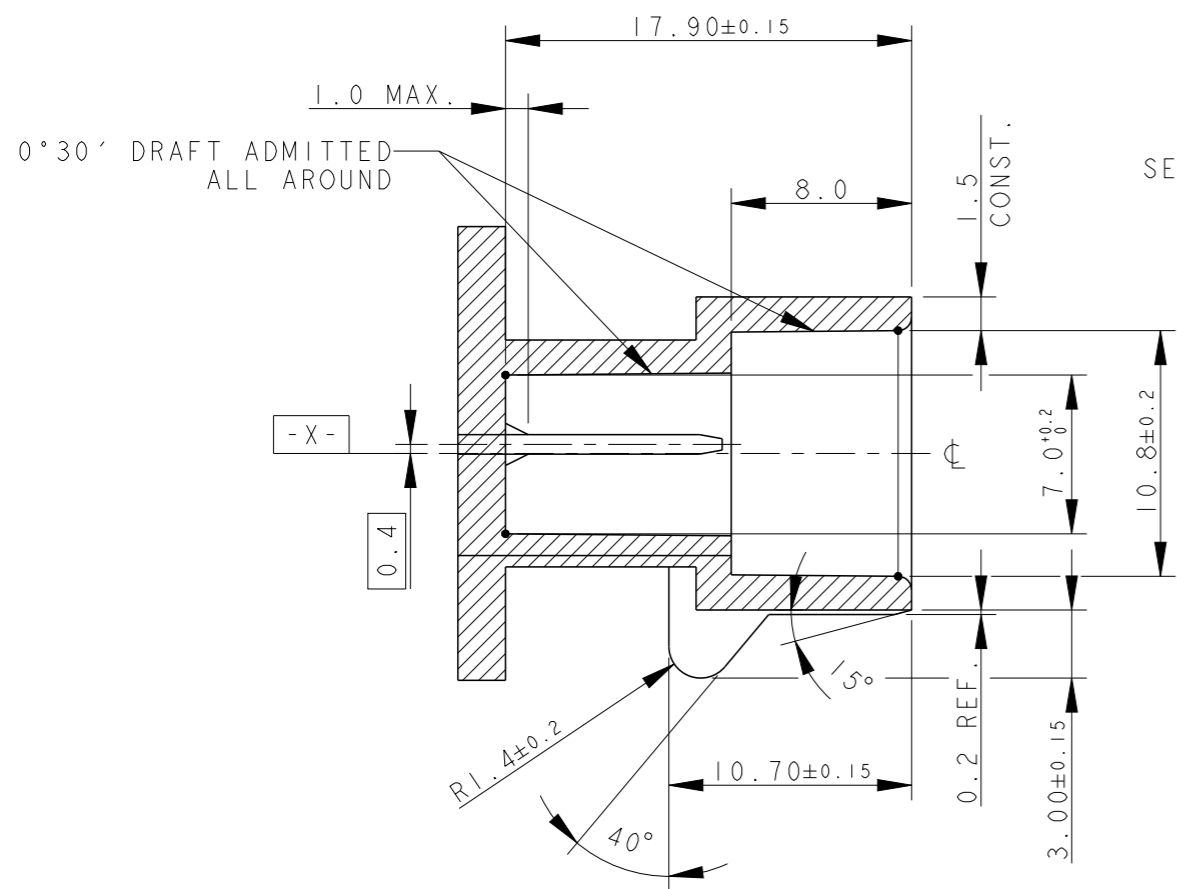
SIZE A3 CAGE CODE 00779 DRAWING NO C-282087 RESTRICTED TO -

SCALE 3:1 SHEET 1 OF 2 REV C3

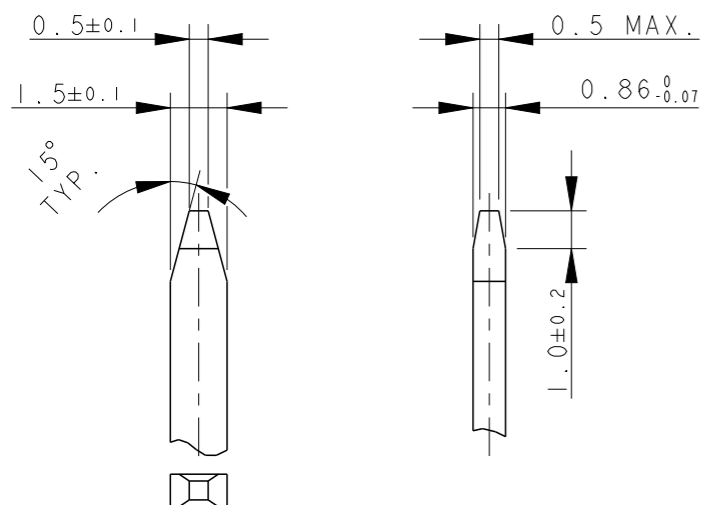
REVISIONS

P	LTR	DESCRIPTION	DATE	DWN	APVD
-	-	SEE SHEET 1	-	-	-

COUNTERPART DETAILS



TAB DETAILS



MATERIALS: PA66-GF FOR HOUSING
TIN PLATED BRASS FOR TABS

THIS DRAWING IS A CONTROLLED DOCUMENT.

DWN C. BERTINI 07-1990

CHK A. BRUNI 07-1990

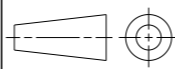
APVD -

NAME -



DIMENSIONS: mm

TOLERANCES UNLESS OTHERWISE SPECIFIED:



- 0 PLC ±0.3
- 1 PLC ±0.1
- 2 PLC ±0.05
- 3 PLC ±
- 4 PLC ±
- ANGLES ±2°

MATERIAL

FINISH



PRODUCT SPEC 108-20090

APPLICATION SPEC 412-20000

WEIGHT 3.65gr

AMP SUPERSEAL 1.5 SRS. 3 POSITIONS PLUG ASS'Y

SIZE A3 CAGE CODE 00779 DRAWING NO. C-282087 RESTRICTED TO -

Customer Drawing

SCALE - SHEET 2 OF 2 REV C3