

THIS DRAWING IS UNPUBLISHED.

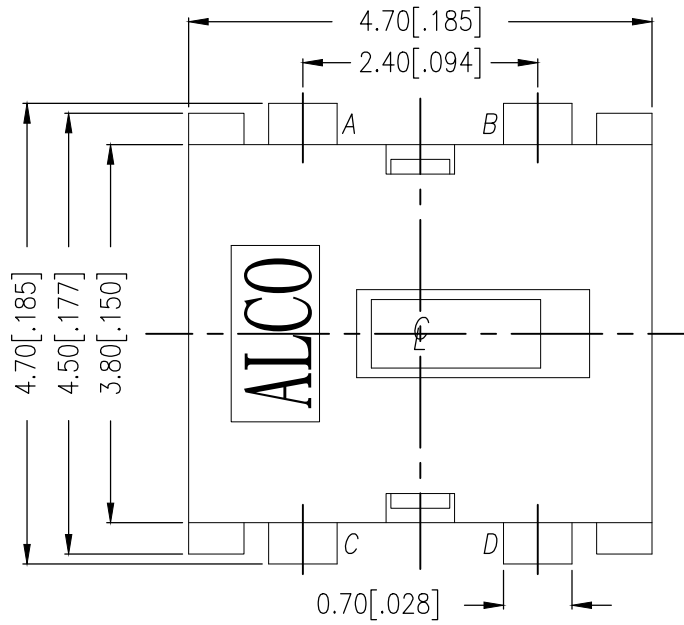
RELEASED FOR PUBLICATION

© COPYRIGHT - TE Connectivity Ltd.

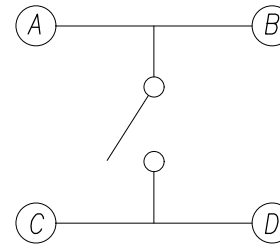
ALL RIGHTS RESERVED.

REVISIONS

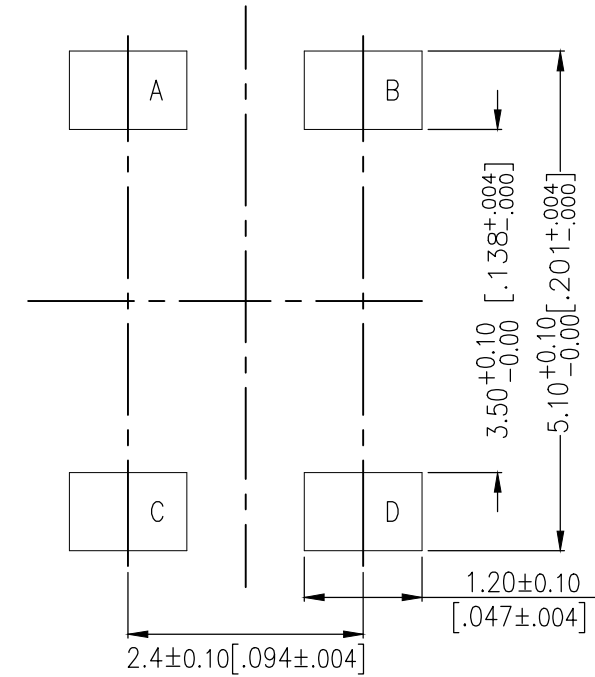
| P | LTR | DESCRIPTION | DATE | DWN | APVD |
|---|-----|-------------|-----------|-----|------|
| 1 | | NEW DRAWING | 07MAR2018 | GCM | AS |



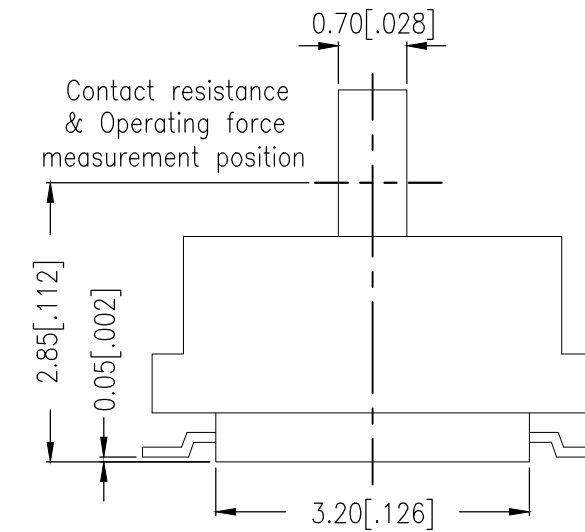
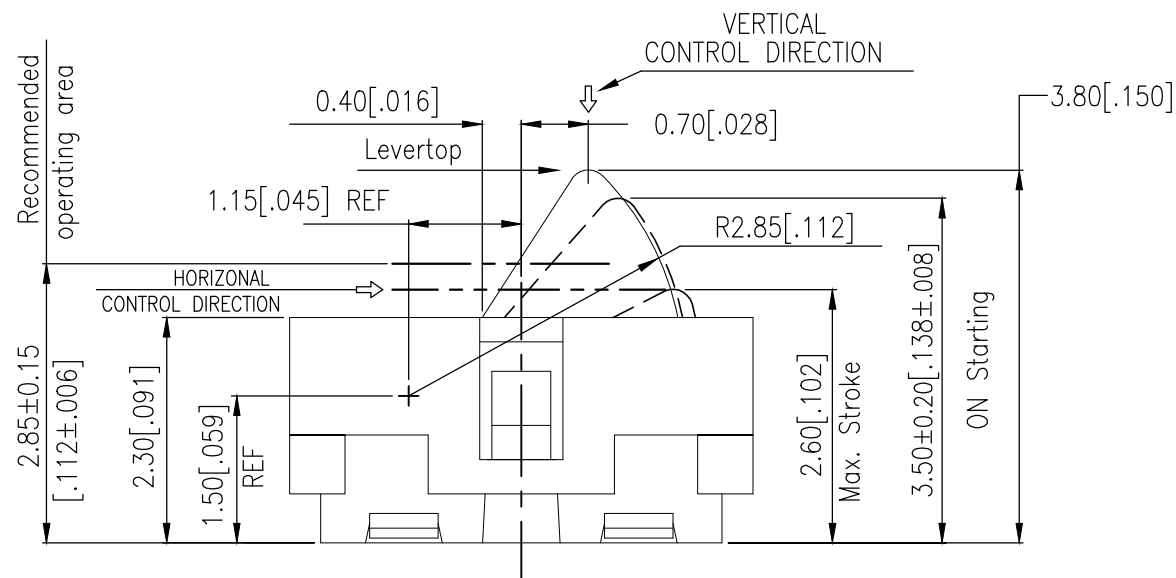
2331372-1
AS SHOWN



CIRCUIT DIAGRAM



P.C.B. LAYOUT



PRELIMINARY

| | | | | | | |
|--|---|---------------------------------------|---|--------------------|-------------------------|---------------|
| THIS DRAWING IS A CONTROLLED DOCUMENT. | | DWN GANESH C M 07MAR2018 | PRELIMINARY TE Connectivity Ltd. | | | |
| DIMENSIONS: mm [INCHES] | TOLERANCES UNLESS OTHERWISE SPECIFIED: | CHK ALEXANDER SHARPE 07MAR2018 | | | | |
| | 0 PLC ± - 1 PLC ± - 2 PLC ± 0.20 [.008] 3 PLC ± - 4 PLC ± - ANGLES ± ± - | APVD ALEXANDER SHARPE 07MAR2018 | | | | |
| MATERIAL | FINISH | PRODUCT SPEC | | | | |
| | | APPLICATION SPEC | SWITCH, DETECTOR, JJF SERIES, 4.7X3.8mm, VERTICAL, SMT | | | |
| | | WEIGHT 0 | SIZE A3 | CAGE CODE 00779 | DRAWING NO C-2331372 | RESTRICTED TO |
| | | CUSTOMER DRAWING | SCALE NTS | SHEET 1 of 3 | REV 1 | |

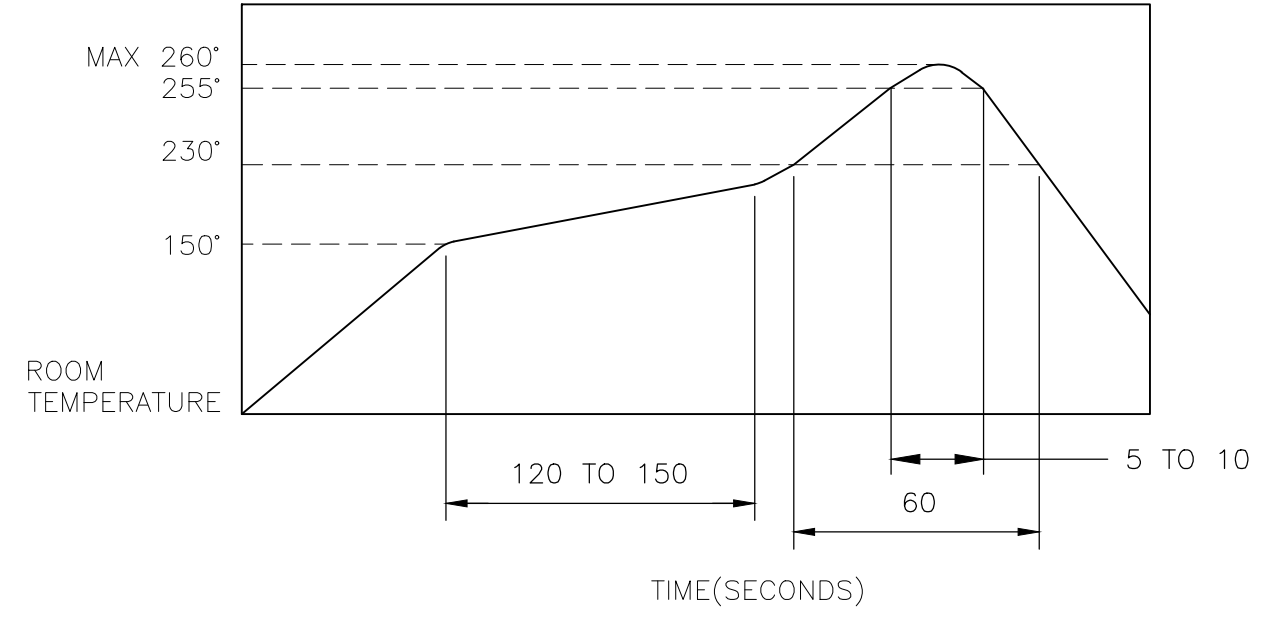
THIS DRAWING IS UNPUBLISHED. RELEASED FOR PUBLICATION
 © COPYRIGHT - TE Connectivity Ltd. ALL RIGHTS RESERVED.

| REVISIONS | | | | | |
|-----------|-----|-------------|------|-----|------|
| P | LTR | DESCRIPTION | DATE | DWN | APVD |
| - | - | SEE SHEET 1 | - | - | - |

NOTES:

- MATERIALS**
 ACTUATOR: THERMOPLASTIC, BLACK
 BODY: THERMOPLASTIC, UL94V-0, BLACK
 COVER: THERMOPLASTIC, BLACK
 TERMINAL: COPPER ALLOY, SILVER PLATE
 CONTACT: STAINLESS STEEL, SILVER CLAD
- COMPLIANCE:**
 ALL MATERIALS AND FINISHES SHALL COMPLY WITH EU DIRECTIVE 2002/95/EC OF 27JAN2003(RoHS)
- SPECIFICATIONS:**
 RATING: 1mA 5V DC
 CONTACT RESISTANCE: 1Ω MAXIMUM(INITIAL)
 INSULATION RESISTANCE: 100MΩ MINIMUM AT 100 V DC
 DIELECTRIC STRENGTH: 100 V AC, 1 MINUTE
 OPERATING LIFE: 100,000 CYCLES WITH LOAD
 TOTAL TRAVEL: 1.2 [.047]
 ACTUATION FORCE: 40gf MAXIMUM
 OPERATING TEMPERATURE: -10°C TO 60° C
 STORAGE TEMPERATURE: -20°C TO 70° C

4. SOLDER CONDITIONS:
SMT



THE CONDITION MENTIONED ABOVE IS THE TEMPERATURE ON THE CU FOIL OF THE PCB SURFACE. THERE ARE CASES WHERE THE BOARD'S TEMPERATURE GREATLY DIFFERS FROM THE SWITCH'S SURFACE. DO NOT ALLOW SWITCH'S SURFACE TEMPERATURE TO EXCEED 260°C

MANUAL SOLDERING

| | |
|---------------------------|-----------------|
| SOLDERING TEMPERATURE | MAX. 350°C. |
| CONTINUOUS SOLDERING TIME | MAX. 5 SECONDS. |

PRECAUTIONS IN HANDLING

- CARE SHOULD BE EXERCISED SO THAT FLUX FROM THE UPPER PART OF THE PRINTED CIRCUIT BOARD DOES NOT ADHERE TO THE SWITCH.

| | |
|-------------------|-------------|
| JJFV0UG380NONPRTR | 2331372-1 |
| SMART PART NUMBER | PART NUMBER |

PRELIMINARY

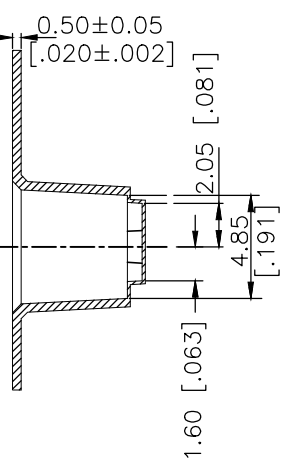
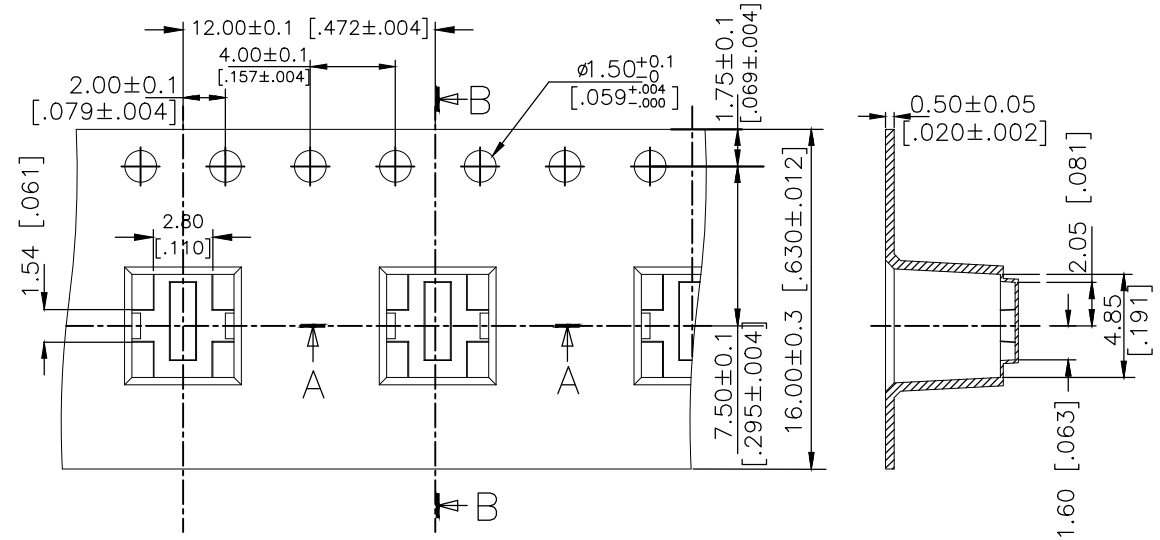
| | | | | | | |
|---|--|--------------|-----------|--|---------|--|
| THIS DRAWING IS A CONTROLLED DOCUMENT. | | DWN | 07MAR2018 | TE Connectivity Ltd. SWITCH, DETECTOR, JJF SERIES, 4.7X3.8mm, VERTICAL, SMT | | |
| DIMENSIONS: mm [INCHES] | | CHK | 07MAR2018 | | | |
| TOLERANCES UNLESS OTHERWISE SPECIFIED: | | APVD | 07MAR2018 | | | |
| 0 PLC ± - 1 PLC ± - 2 PLC ± 0.20 [.008] 3 PLC ± - 4 PLC ± - ANGLES ± - | | PRODUCT SPEC | - | | | |
| MATERIAL | | FINISH | | APPLICATION SPEC | - | |
| - | | - | | WEIGHT | - | |
| CUSTOMER DRAWING | | | | SIZE | A3 | |
| | | | | CAGE CODE | 00779 | |
| | | | | DRAWING NO | 2331372 | |
| | | | | RESTRICTED TO | - | |
| | | | | SCALE | NTS | |
| | | | | SHEET | 2 of 3 | |
| | | | | REV | 1 | |

THIS DRAWING IS UNPUBLISHED. RELEASED FOR PUBLICATION
 © COPYRIGHT - TE Connectivity Ltd. ALL RIGHTS RESERVED.

| REVISIONS | | | | |
|-----------|-----|-------------|------|------|
| P | LTR | DESCRIPTION | DATE | APVD |
| - | - | SEE SHEET 1 | - | - |

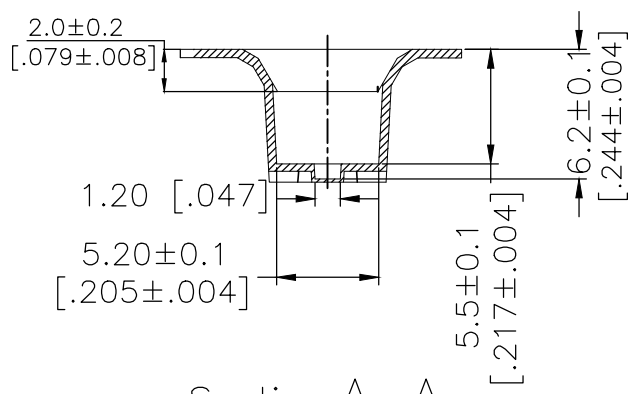
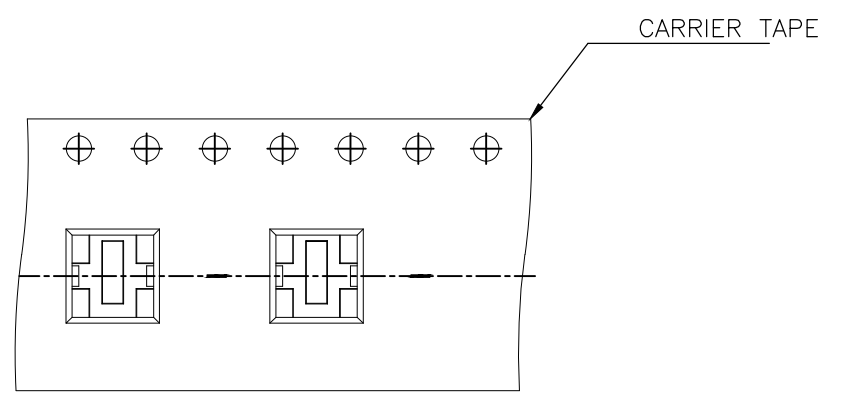
PACKAGING:
 1000 SWITCHES PER REEL

THE DIMENSION OF CARRIER TAPE, COVER TAPE AND REEL

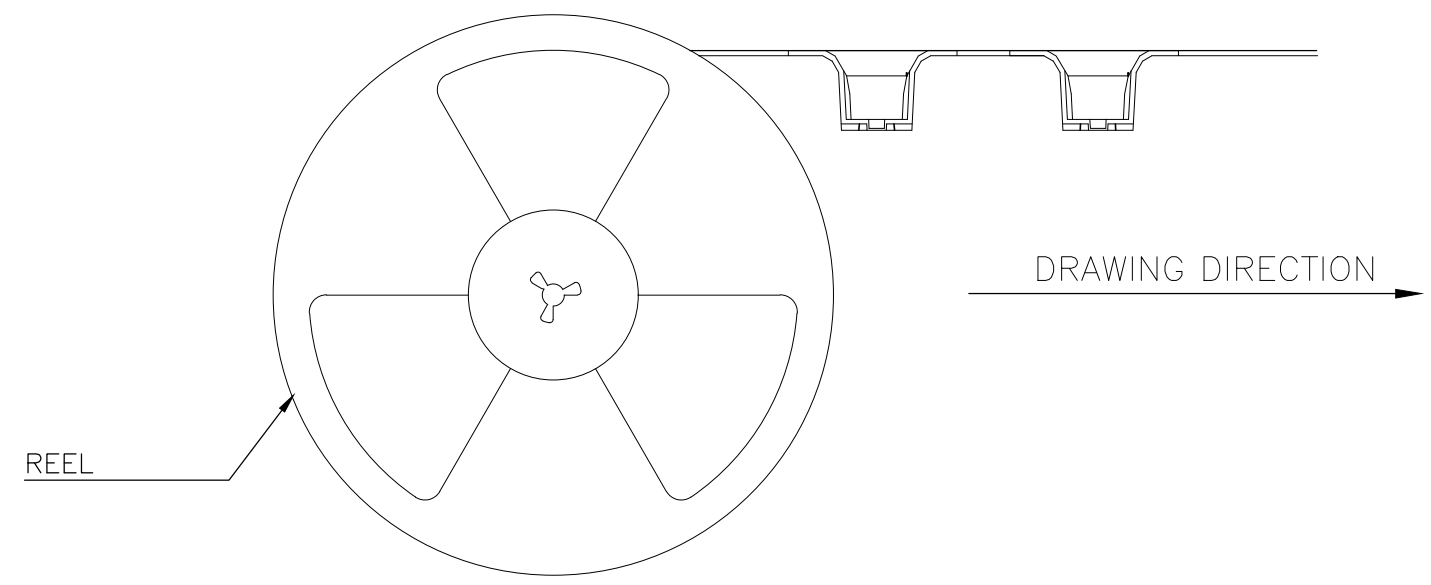
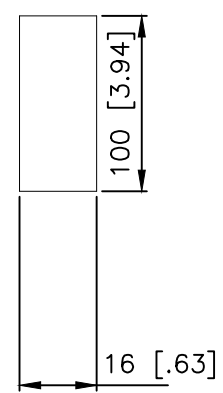
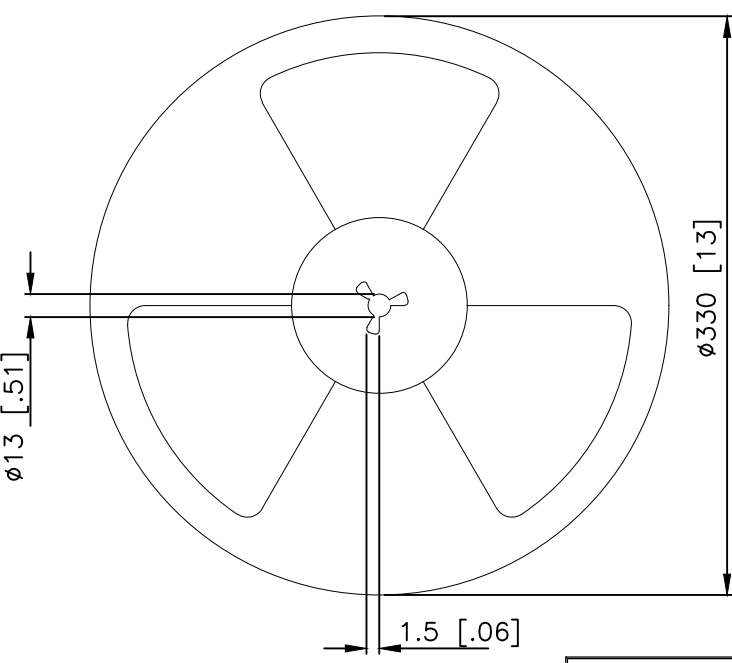


Section B-B

THE DIRECTION OF PILOT HOLES



Section A-A



PRELIMINARY

| | | | | |
|---|--|---|----------------------|-----------------|
| THIS DRAWING IS A CONTROLLED DOCUMENT. | | DWN GANESH C M 07MAR2018 | TE Connectivity Ltd. | |
| DIMENSIONS: mm [INCHES] TOLERANCES UNLESS OTHERWISE SPECIFIED: 0 PLC ± - 1 PLC ± - 2 PLC ± 0.20 [.008] 3 PLC ± - 4 PLC ± - ANGLES ± - MATERIAL FINISH | | CHK ALEXANDER SHARPE 07MAR2018 APVD ALEXANDER SHARPE 07MAR2018 PRODUCT SPEC APPLICATION SPEC WEIGHT 0 | | |
| | | CUSTOMER DRAWING | | RESTRICTED TO - |
| | | SCALE NTS | | SHEET 3 OF 3 |
| | | | | REV 1 |