

THIS DRAWING IS UNPUBLISHED.

RELEASED FOR PUBLICATION

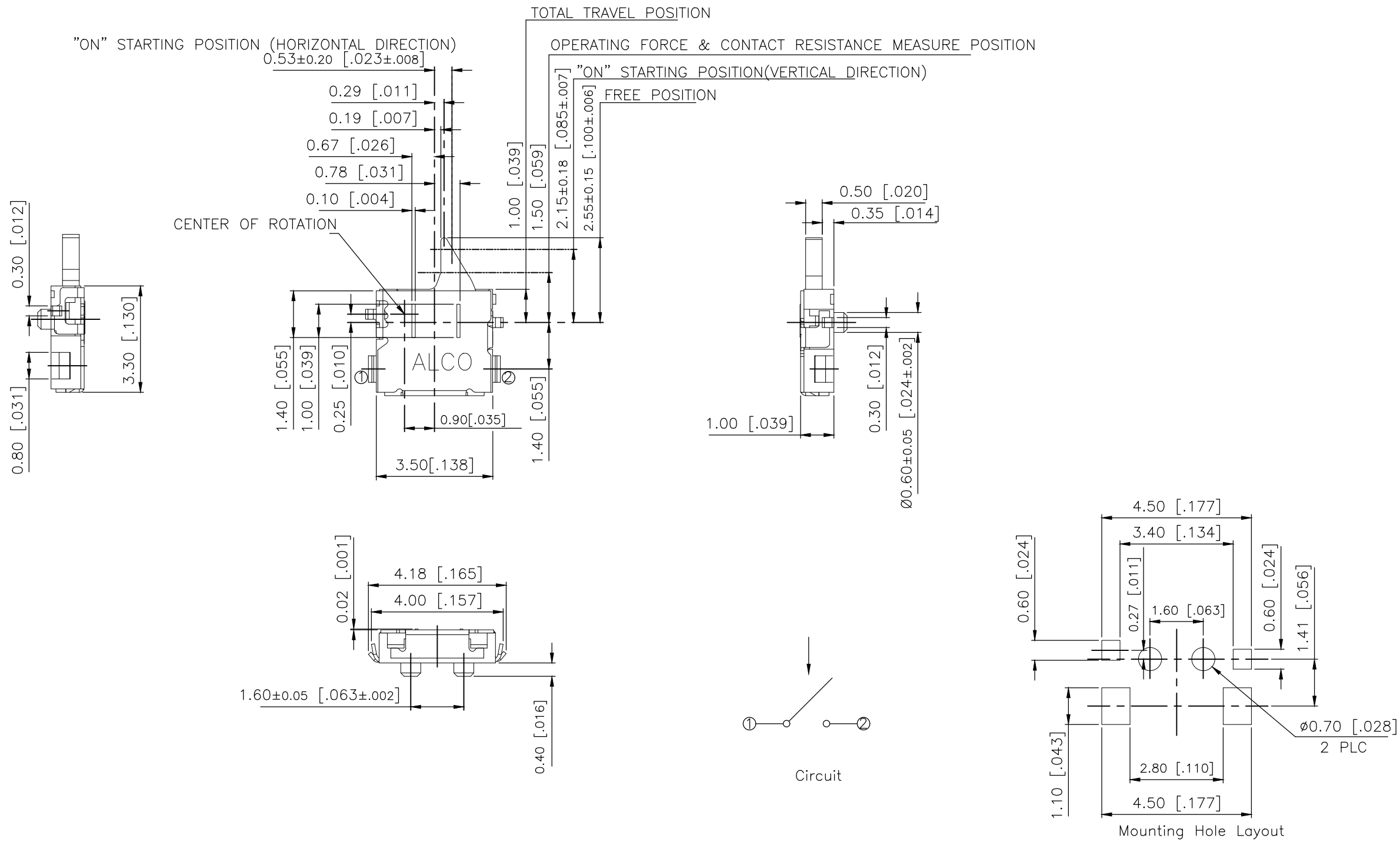
REVISIONS

© COPYRIGHT - TE Connectivity Ltd.

ALL RIGHTS RESERVED.

P	LTR	DESCRIPTION	DATE	DWN	APVD
1		NEW DRAWING	07MAR2018	GCM	AS

2331387-1
AS SHOWN



PRELIMINARY

THIS DRAWING IS A CONTROLLED DOCUMENT.		DWN	07MAR2018	PRELIMINARY TE Connectivity Ltd.	
DIMENSIONS: mm [INCHES]		CHK	07MAR2018		
TOLERANCES UNLESS OTHERWISE SPECIFIED:		APVD	07MAR2018		
<ul style="list-style-type: none"> 0 PLC ± - 1 PLC ± - 2 PLC ± 0.20 [.008] 3 PLC ± - 4 PLC ± - ANGLES ± - 		NAME	ALEXANDER SHARPE		
MATERIAL		PRODUCT SPEC	-	SWITCH, DETECTOR, JJC SERIES, 3.5X3.3mm, HORIZONTAL, SMT, POSTS, OPEN	
FINISH		APPLICATION SPEC	-	SIZE	A3
-		WEIGHT	-	CAGE CODE	00779
-		CUSTOMER DRAWING	-	DRAWING NO	2331387
-		SCALE	NTS	SHEET	1 of 3
-		RESTRICTED TO	-	REV	1

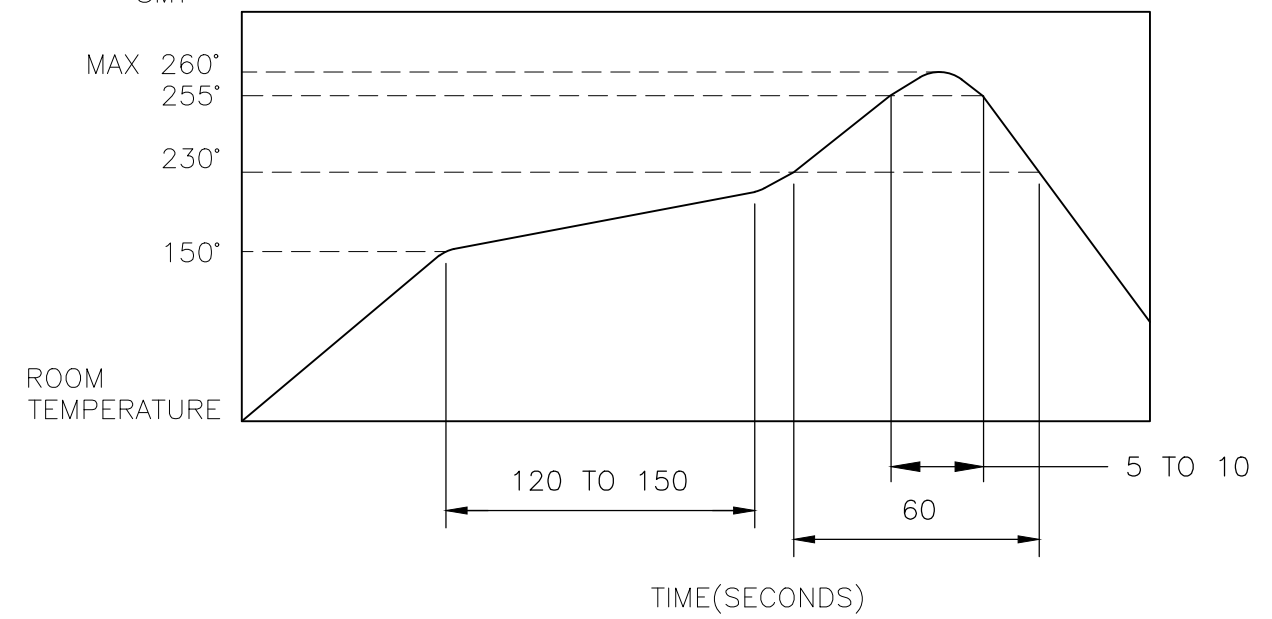
THIS DRAWING IS UNPUBLISHED. RELEASED FOR PUBLICATION
 © COPYRIGHT - TE Connectivity Ltd. ALL RIGHTS RESERVED.

REVISIONS					
P	LTR	DESCRIPTION	DATE	DWN	APVD
-	-	SEE SHEET 1	-	-	-

NOTES:

- MATERIALS:**
 ACTUATOR: THERMOPLASTIC, UL 94V-0, BLACK
 BODY: THERMOPLASTIC, UL 94V-0, BLACK
 COVER: NICKEL SILVER
 TERMINAL: COPPER ALLOY, SILVER PLATE
 SPRING: STAINLESS STEEL
- COMPLIANCE:**
 ALL MATERIALS AND FINISHES SHALL COMPLY WITH EU DIRECTIVE 2002/95/EC OF 27JAN2003(RoHS)
- SPECIFICATIONS:**
 RATING: 1mA, 5V DC TO 50µA, 3V DC
 CONTACT RESISTANCE: 2Ω MAXIMUM(INITIAL)
 INSULATION RESISTANCE: 100MΩ MINIMUM AT 100 V DC
 DIELECTRIC STRENGTH: 100 V AC, 1 MINUTE
 OPERATING LIFE: 50,000 CYCLES WITH LOAD
 TOTAL TRAVEL: 1.55 [.061]
 ACTUATION FORCE: 35gf MAXIMUM
 OPERATING TEMPERATURE: -10°C TO 60° C
 STORAGE TEMPERATURE: -40°C TO 85° C

4. SOLDER CONDITIONS:
SMT



THE CONDITION MENTIONED ABOVE IS THE TEMPERATURE ON THE CU FOIL OF THE PCB SURFACE. THERE ARE CASES WHERE THE BOARD'S TEMPERATURE GREATLY DIFFERS FROM THE SWITCH'S SURFACE. DO NOT ALLOW SWITCH'S SURFACE TEMPERATURE TO EXCEED 260°C

MANUAL SOLDERING

SOLDERING TEMPERATURE	350°C±5°C.
CONTINUOUS SOLDERING TIME	5 SECONDS MAX.

PRECAUTIONS IN HANDLING

- CARE SHOULD BE EXERCISED SO THAT FLUX FROM THE UPPER PART OF THE PRINTED CIRCUIT BOARD DOES NOT ADHERE TO THE SWITCH.

JJCHLUJ100NOPMRTR	2331387-1
SMART PART NUMBER	PART NUMBER

PRELIMINARY

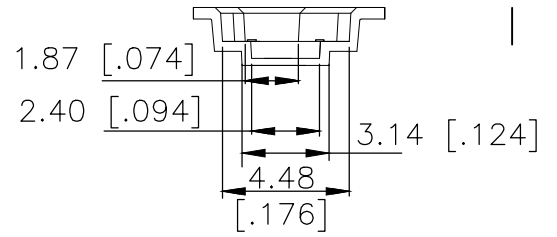
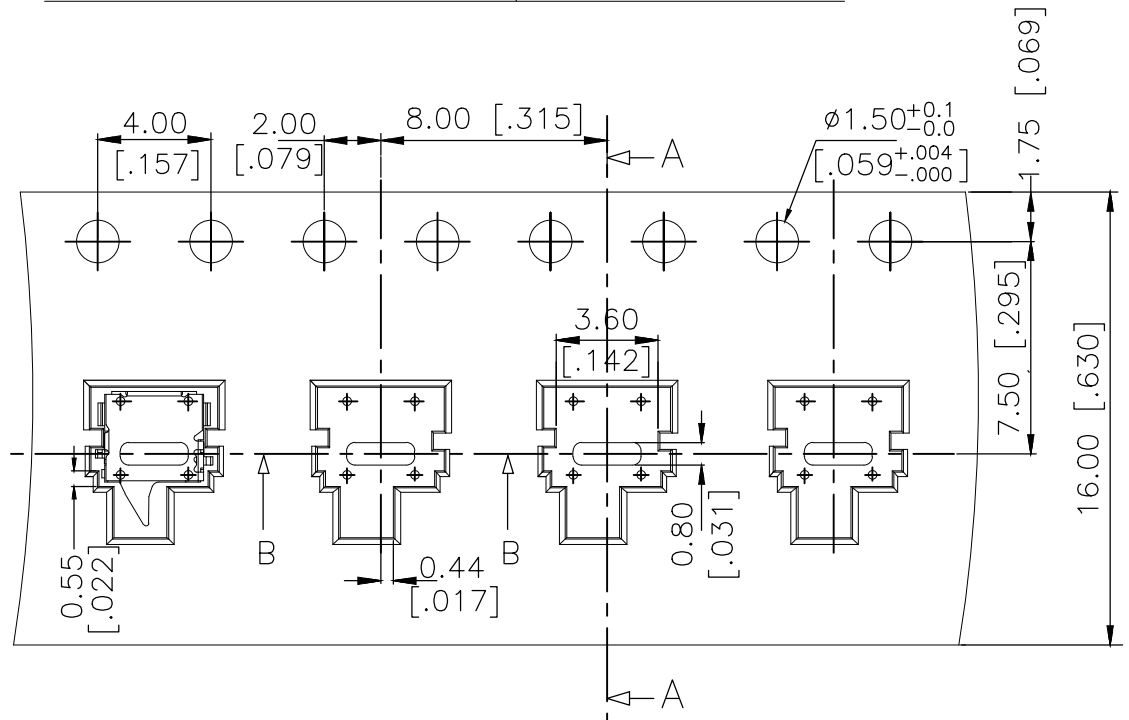
THIS DRAWING IS A CONTROLLED DOCUMENT.		DWN	07MAR2018	TE Connectivity Ltd.		
DIMENSIONS: mm [INCHES]		CHK	07MAR2018			
		ALEXANDER SHARPE				
TOLERANCES UNLESS OTHERWISE SPECIFIED:		APVD	07MAR2018			
0 PLC ± -		ALEXANDER SHARPE		NAME		
1 PLC ± -		PRODUCT SPEC		SWITCH, DETECTOR, JJC SERIES, 3.5X3.3mm, HORIZONTAL, SMT, POSTS, OPEN		
2 PLC ± 0.20 [.008]		APPLICATION SPEC		SIZE	CAGE CODE	DRAWING NO
3 PLC ± -		WEIGHT		A3	00779	C-2331387
4 PLC ± -		CUSTOMER DRAWING		SCALE	SHEET	REV
ANGLES ± -		MATERIAL		NTS	2 of 3	1
FINISH		RESTRICTED TO				

THIS DRAWING IS UNPUBLISHED. RELEASED FOR PUBLICATION
 © COPYRIGHT - TE Connectivity Ltd. ALL RIGHTS RESERVED.

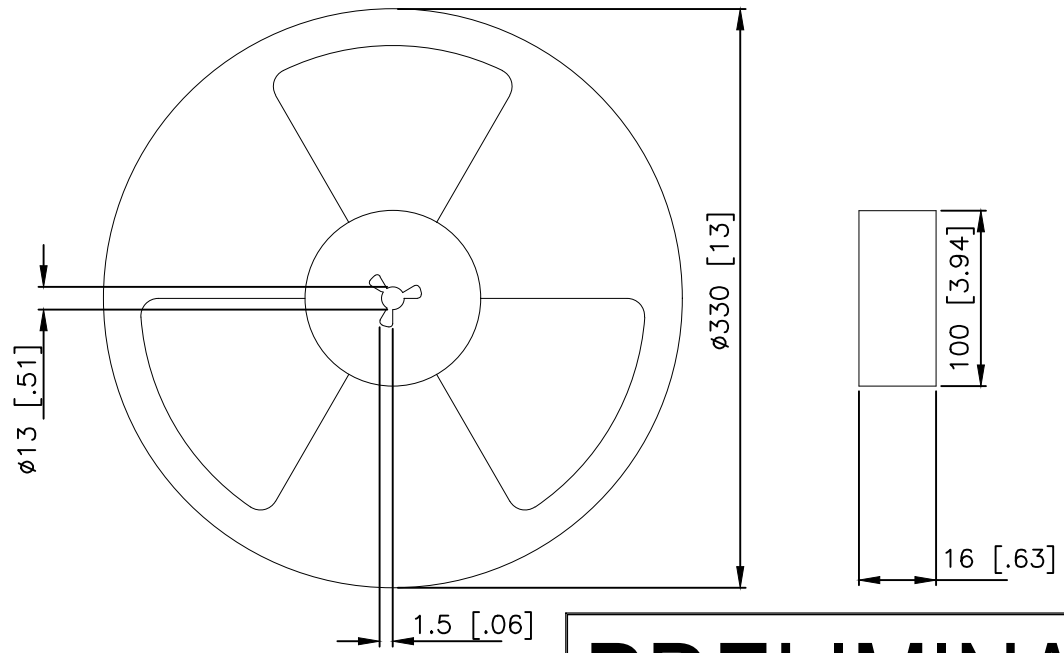
REVISIONS					
P	LTR	DESCRIPTION	DATE	DWN	APVD
-	-	SEE SHEET 1	-	-	-

PACKAGING:
 3500 SWITCHES PER REEL

THE DIMENSION OF CARRIER TAPE, COVER TAPE AND REEL

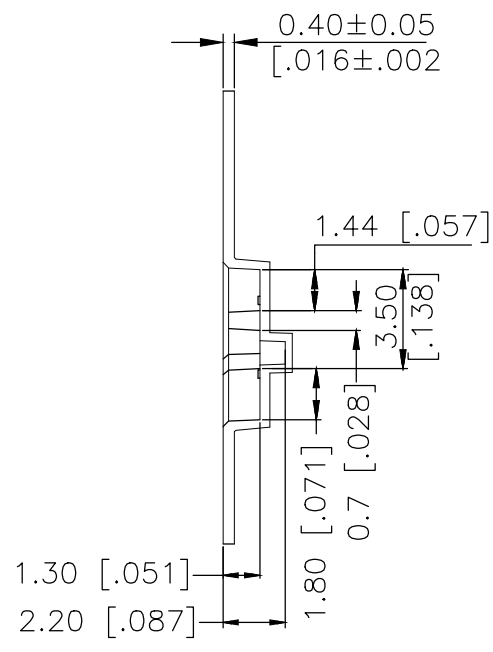


Section B-B

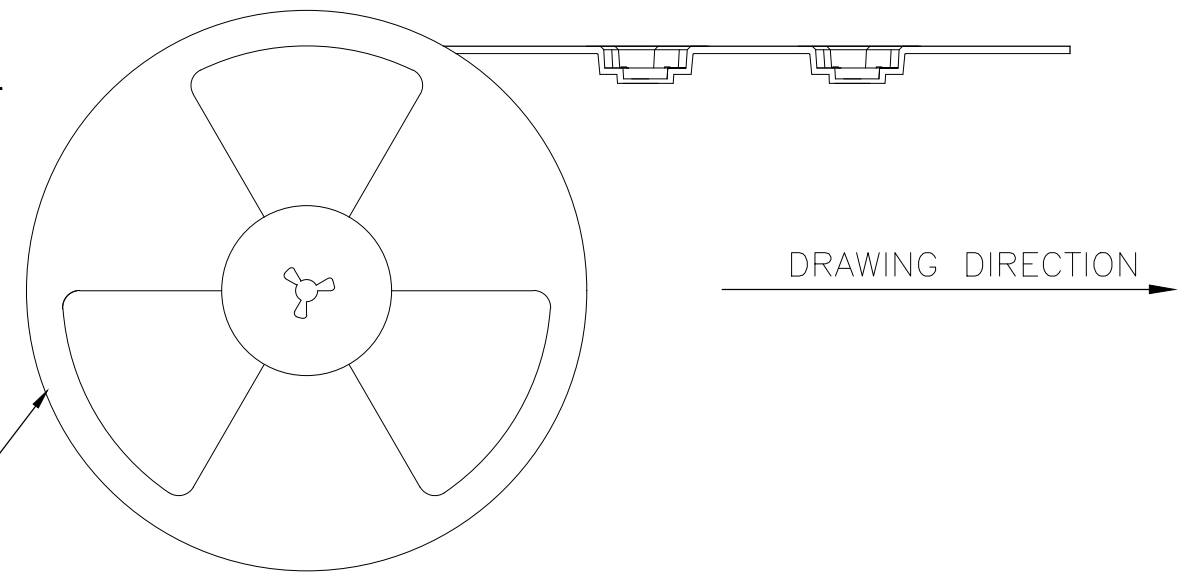
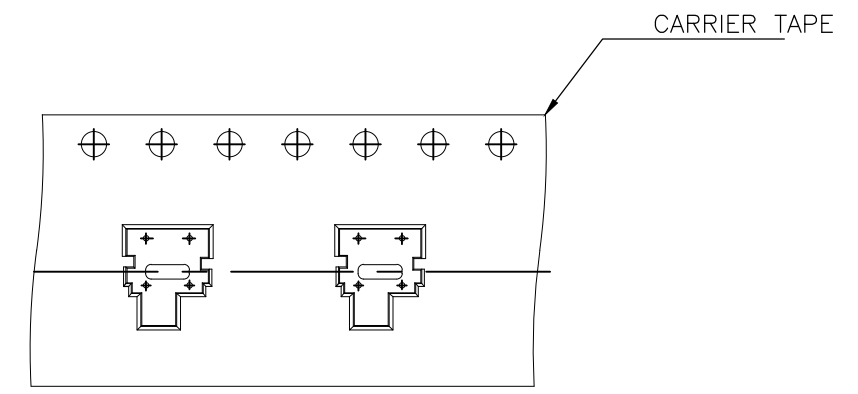


PRELIMINARY

THE DIRECTION OF PILOT HOLES



Section A-A



THIS DRAWING IS A CONTROLLED DOCUMENT.		DWN GANESH C M 07MAR2018	TE Connectivity Ltd.		
DIMENSIONS: mm [INCHES]		CHK ALEXANDER SHARPE 07MAR2018			
TOLERANCES UNLESS OTHERWISE SPECIFIED:		APVD ALEXANDER SHARPE 07MAR2018	PRODUCT SPEC		
0 PLC ± - 1 PLC ± - 2 PLC ± 0.20 [.008] 3 PLC ± - 4 PLC ± - ANGLES ± -		APPLICATION SPEC	RESTRICTED TO		
MATERIAL		FINISH	SIZE A3	CAGE CODE 00779	DRAWING NO C-2331387
			CUSTOMER DRAWING		SCALE NTS
			SHEET 3 OF 3		REV 1