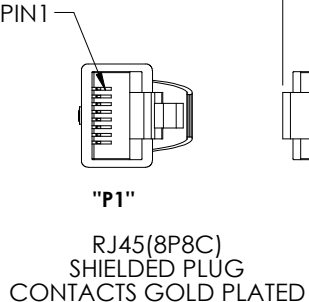
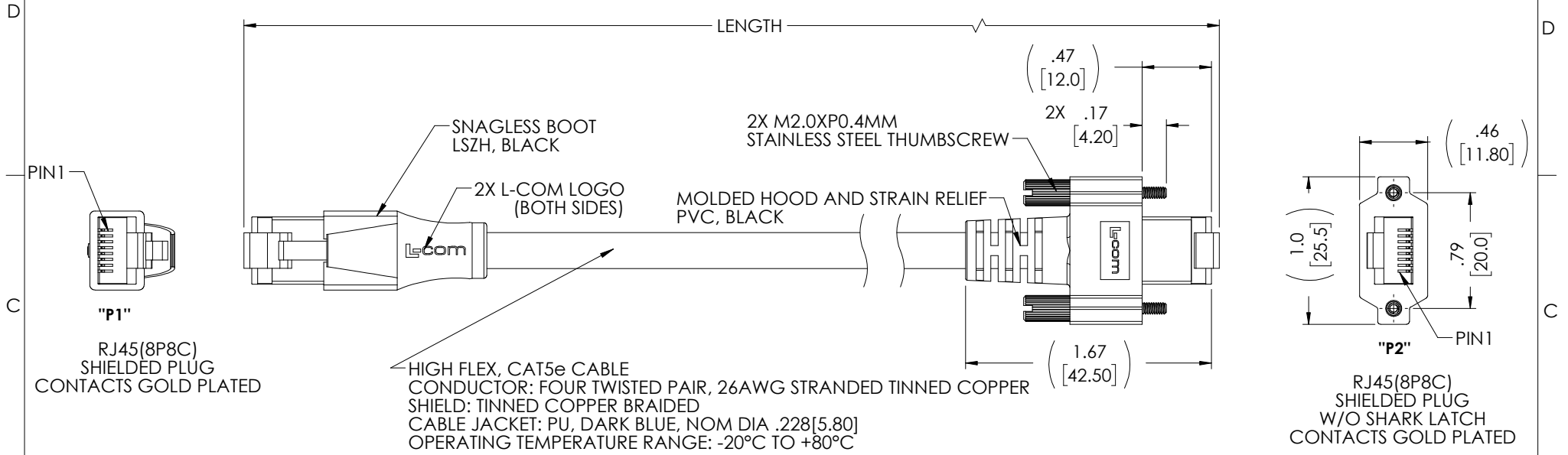
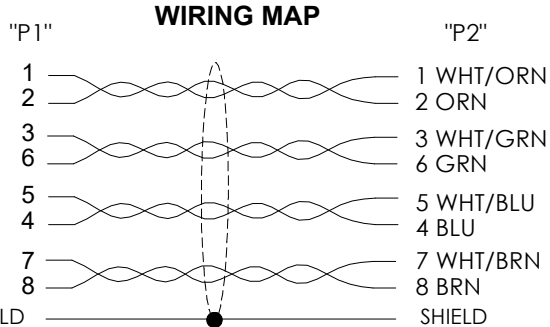
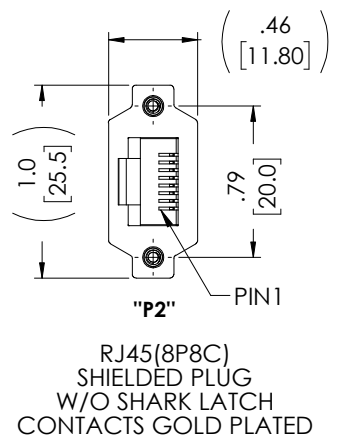


THE INFORMATION CONTAINED IN THIS DRAWING IS THE SOLE PROPERTY OF L-COM, INC. ANY REPRODUCTION IN PART OR WHOLE WITHOUT THE WRITTEN PERMISSION OF L-COM, INC. IS PROHIBITED.

REVISIONS			
REV	DESCRIPTION	DATE	APPROVED
A	REV A DRAWING RELEASED	02/28/18	JLABOY



HIGH FLEX, CAT5e CABLE  
CONDUCTOR: FOUR TWISTED PAIR, 26AWG STRANDED TINNED COPPER  
SHIELD: TINNED COPPER BRAIDED  
CABLE JACKET: PU, DARK BLUE, NOM DIA .228[5.80]  
OPERATING TEMPERATURE RANGE: -20°C TO +80°C



PART NUMBER	LENGTH	
	FEET	METERS
TRG515-P6D-1M	3.28	1.0
TRG515-P6D-2M	6.56	2.0
TRG515-P6D-3M	9.84	3.0
TRG515-P6D-4M	13.12	4.0
TRG515-P6D-5M	16.41	5.0
TRG515-P6D-10M	32.82	10.0

**NOTES:**

1. PLUG CONFORMS TO TIA-1096
2. CABLE ASSEMBLY SHALL BE TESTED FOR CONTINUITY.
3. CABLE ASSEMBLY SHALL BE INDIVIDUALLY PACKAGED IN ACCORDANCE WITH L-COM SPECIFICATION PS-0031.

**REGULATORY COMPLIANCE:**  
CE2011/65/EU(RoHS DIRECTIVE)

UNLESS OTHERWISE SPECIFIED, DIMENSIONS ARE IN INCHES [mm] OVERALL CABLE LENGTH TOLERANCE: ≤12 [305] = +1 [25] / -0 >12 [305] ≤60 [1524] = +2 [51] / -0 >60 [1524] ≤120 [3048] = +4 [102] / -0 >120 [3048] ≤300 [7620] = +6 [152] / -0 >300 [7620] = +3% / -0% ALL OTHER DIMENSIONAL TOLERANCES: .X = ±.2 [5.08] .XX = ±.02 [1.51] .XXX = ±.005 [1.13]	APPROVALS DRAWN BY D.CUI CHECKED BY W.LI APPROVED BY S.PAN	DATE 02/03/18 02/03/18 02/03/18	50 HIGH STREET NORTH ANDOVER, MA 01845			
	CONFIGURATION DETAILS OF UNDIMENSIONED FEATURES MAY VARY			CATEGORY <b>TELECOM/MODULAR</b>		
	PROJECTION 	COLOR VARIATIONS MAY OCCUR	SIZE <b>A</b>	FSCM NO. <b>43321</b>	DWG. NO. <b>TRG515-P6D</b>	REV. <b>A</b>
	REF		SCALE: NONE	CAD FILE: TRG515-P6D.SLDDRW	SHEET 1 OF 1	