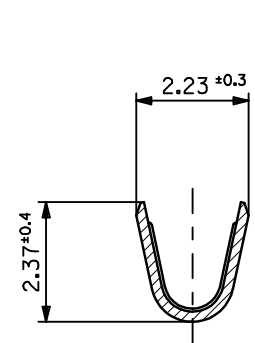
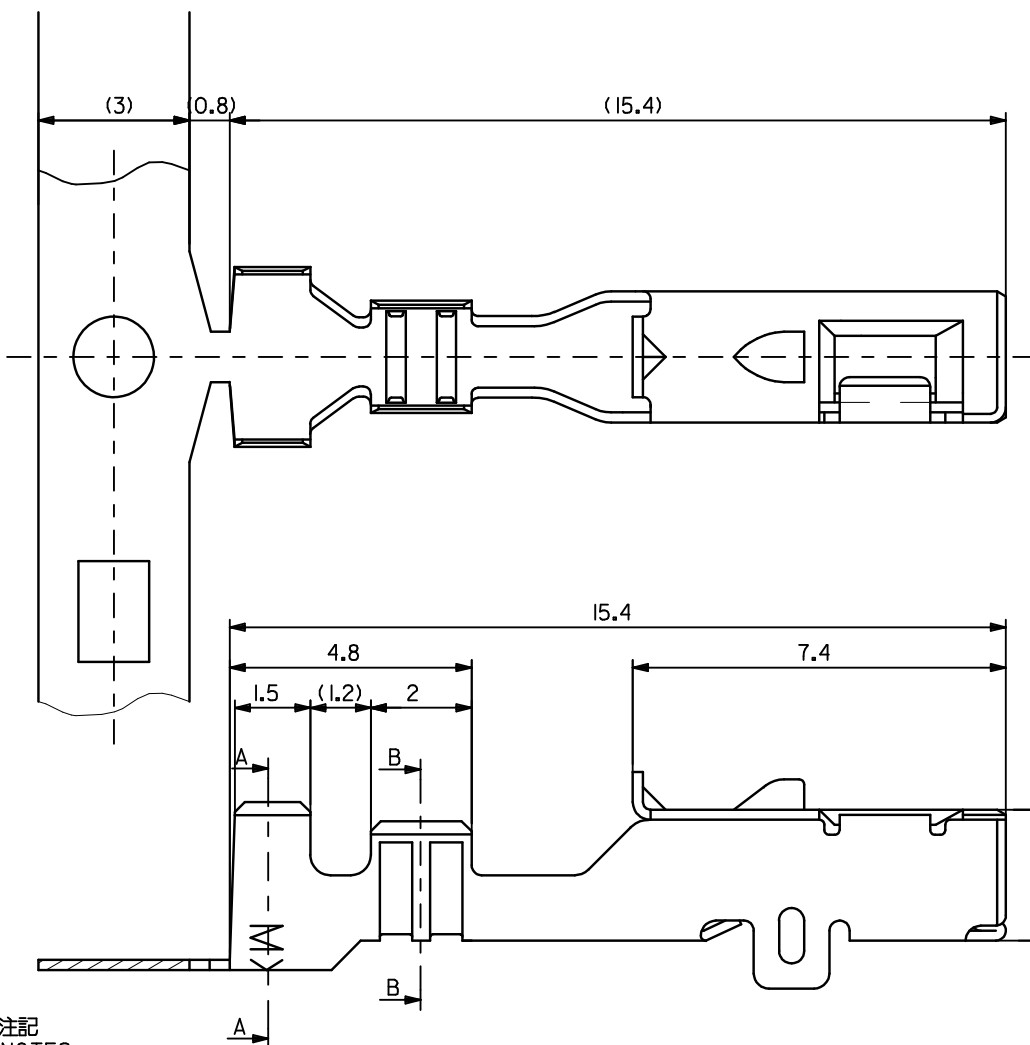
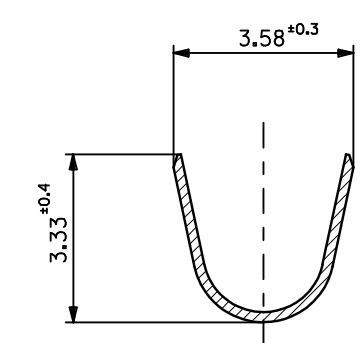


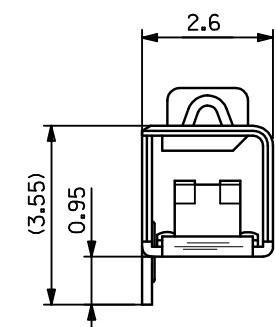
10 9 8 7 6 5 4 3 2 1



SECT. B-B



SECT. A-A



注記
NOTES

- 適合ハウジング: 51115-1601, 51116-1601
APPLICABLE HOUSING: 51115-1601, 51116-1601
- 材料: リン青銅, 錫メッキ材 (t=0.2)
MATERIAL: PRE-TINNED PHOSPHOR BRONZE (t=0.2)
- 適用電線: APPLICABLE WIRE RANGE
AVS-0.3, AVS-0.3f, AVS-0.5, AVS-0.5f, AVSS-0.5
AVSS-0.5f, CAVS-0.5, AVS-0.75f, AVSS-0.75f
AVS-0.85, AVSS-0.85, CAVS-0.85
- 被覆外径: INS. RANGE $\phi 1.6 \sim 2.3$

50420-8000	連鎖状 CHAIN
ENG. NO.	端子形状 FORM

THIRD ANGLE PROJECTION

REVISED EC NO: JTR2017-0015 DRWN: YFUSHIMI 2016/10/24 CHKD: TAITO 2016/10/25 APPR: MAYAMOTO 2016/10/25	QUALITY SYMBOLS	GENERAL TOLERANCES (UNLESS SPECIFIED)	DIMENSION STYLE	SCALE	DESIGN UNITS	TITLE 4.0 W/W CRIMP REC (SAE J1962 DIAGNOSTIC CONNECTOR) molex DOCUMENT NO. SD-50420-8*00 SHEET NO. 1 OF 1	
	$\nabla_A = 0$ $\nabla_G = 0$ $\nabla_P = 0$	10 UNDER	± 0.2	MM ONLY	10:1		METRIC
		10 OVER 30 UNDER	± 0.25	DRAWN BY	DATE		TITLE
		30 OVER	± 0.3	K. FURUYAMA	1994/03/03		
	ANGULAR	± 3 °	CHECKED BY	DATE			
		DRAFT WHERE APPLICABLE MUST REMAIN WITHIN DIMENSIONS	M. SANO	1994/06/30			
			APPROVED BY	DATE			
			M. ENOMOTO	1994/06/30			
			MATERIAL NO.				
			SEE CHART				
			SIZE	THIS DRAWING CONTAINS INFORMATION THAT IS PROPRIETARY TO MOLEX INCORPORATED AND SHOULD NOT BE USED WITHOUT WRITTEN PERMISSION			
			A3				

9 8 7 6 5 4 3 2 1