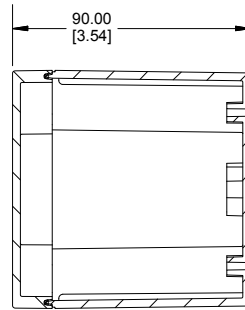
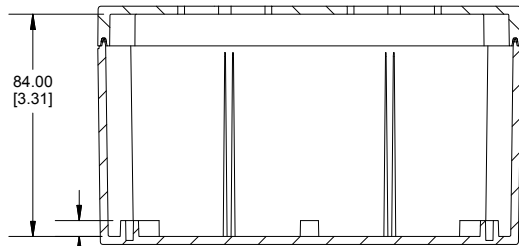
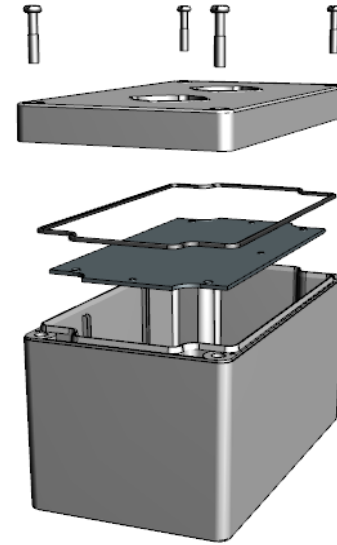


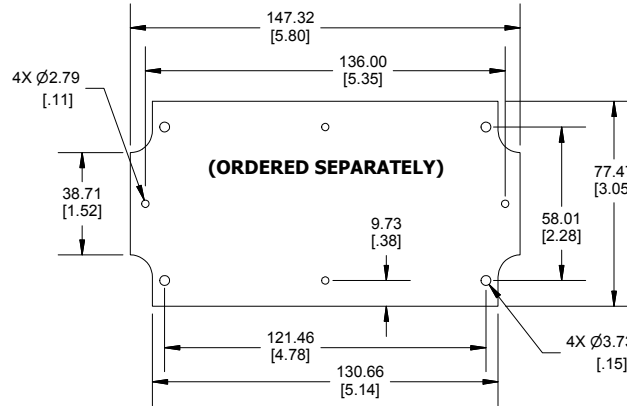
ASSEMBLY



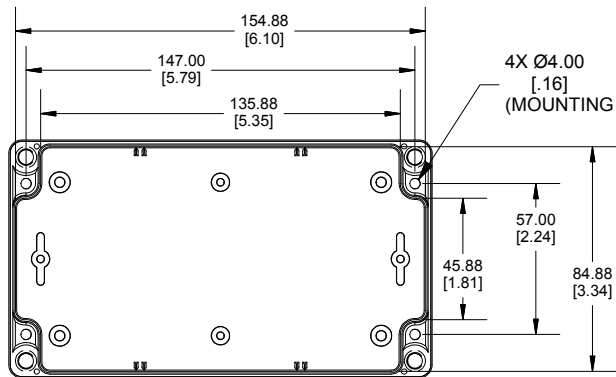
SECTION A-A



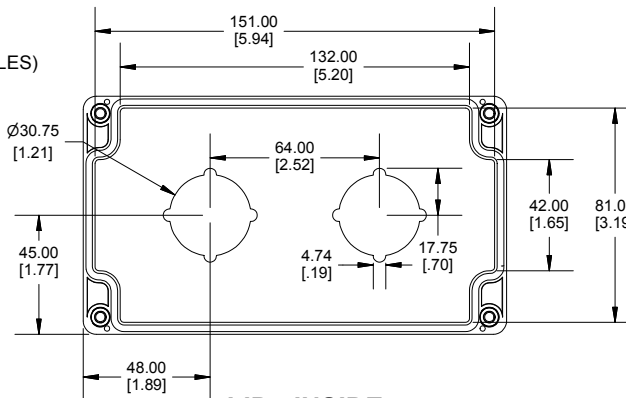
SECTION B-B



(ORDERED SEPARATELY)



BOX - INSIDE



LID - INSIDE

POLYCARBONATE  
VERSION ONLY  
UL US LISTED  
FILE #E65324  
TYPE 4,4X,6,6P

SEE ENCLOSURE 1554K  
FOR MORE DETAIL

Enclosures can be Factory Modified ( Milling, Drilling, Printing etc.)  
Contact Factory [mjm@hammondmfg.com](mailto:mjm@hammondmfg.com) for quotes  
Solid models of this enclosure available in STEP or IGES.  
(Part number and text placement/orientation on our products are subject to change,  
we do not recommend using them as a locating reference for modification purposes)

NOTE	
Purchased assembly includes box, lid, 4 cover screws, and preformed silicone gasket.	
Polycarbonate version is UL 508A approved. (Matl UL94 - 5VA @ 3mm)	
Lid accepts 30.5mm push buttons	
<b>Recommended Cover screw torque -- 43-57 ozf-in (30-40 cN-m)</b>	

1554PB	
1554PB Enclosure	
Polycarbonate RAL-7035	1554PB2D
ACCESSORIES	
Steel Inner Panels	1554JPL
Steel Panel / P.C. Board (Pkg 100) [M3-0.5 x 8mm Plated]	1591MM100
Steel Panel / P.C. Board Self Tapping Screw [#6 X 1/4" (6.4mm) Plated] (Pkg 100)	1598ATS100
Cover Screws (Pkg 50) [M4-0.7 X 20mm Stainless Steel]	SC576-50

**HAMMOND**  
MANUFACTURING®  
**1554PB2D**  
[www.hammondmfg.com](http://www.hammondmfg.com)

Dimensions:  
mm  
[inches]