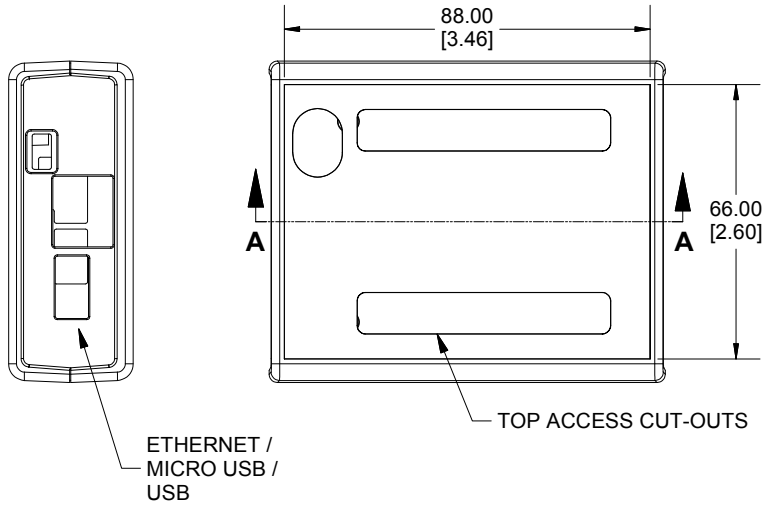
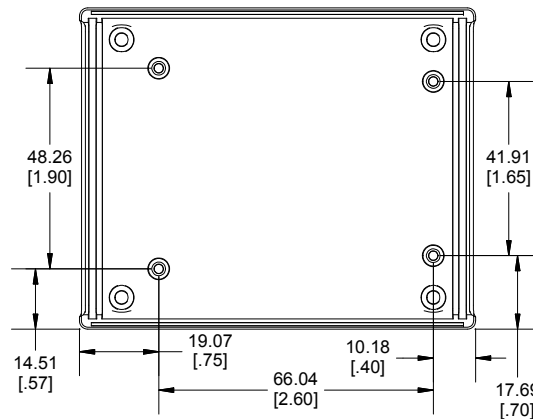


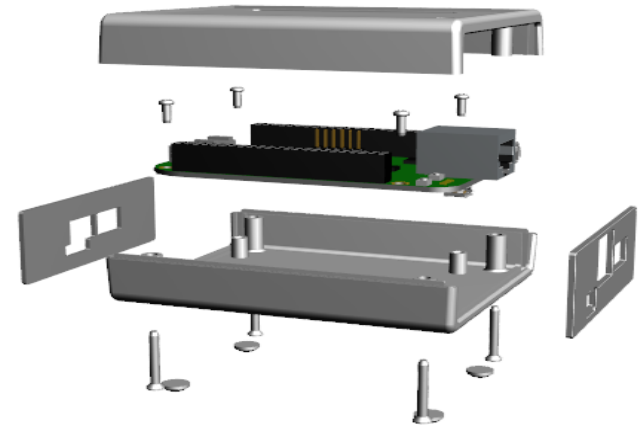
SECTION A-A



INSIDE BOTTOM



Dimensions:
mm
[inches]



***FOR USE WITH BEAGLEBONE GREEN**

NOTE

Purchased assembly includes top and bottom cover, front and rear end panels, 4 cover screws, 4 PCB screws and 4 clear rubber feet. (P.C. Board not included)

PART NUMBERS

1593HAMBOGR Enclosure	
Black Enclosure	1593HAMBOGRBK
Grey Enclosure	1593HAMBOGRGY
Translucent Blue Enclosure	1593HAMBOGRTBU

ACCESSORIES

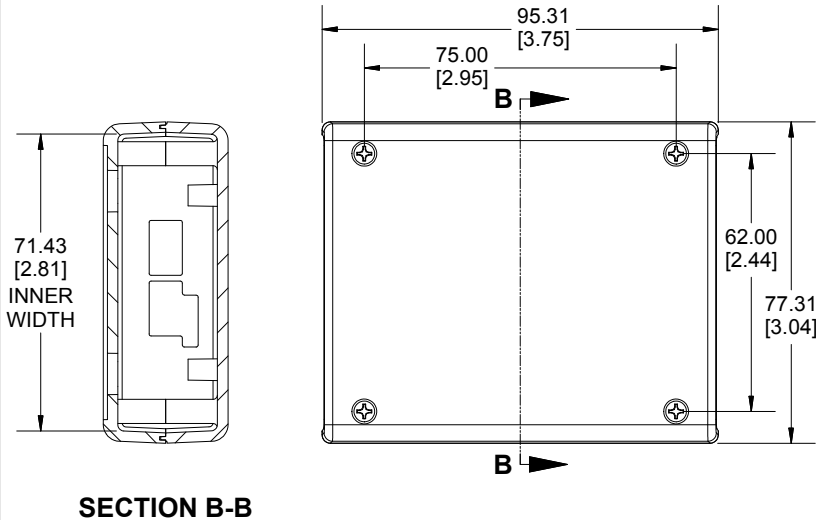
Recommended Torque: 75 ozf.in / 55 cN.m

1 Front and 1 Rear Panel (With cut outs)	Black	1593BOGRLBK-B
	Grey	1593BOGRLGY-B
	Translucent Blue	1593BOGRLTBU-B
STD Flat Panel (Single Panel No cut outs)	Black	1593BBLBK-B
	Grey	1593BBLGY-B
	Translucent Blue	1593BBLTBU-B
	Infrared	1593BBIR10
P.C. Board Screws [#4 X 1/4"] Self-Tapping		1593ATS50 (pkg 50)
Cover Screws (Pkg 100)		1593ATS100 (pkg 100)
Cover Screws (Pkg 100)		1593QS100 (Silver)
Cover Screws (Pkg 100)		1593QS100BK (Black)

**HAMMOND
MANUFACTURING**

1593HAMBOGR

www.hammondmfg.com



SECTION B-B