

THIS DRAWING IS UNPUBLISHED.

RELEASED FOR PUBLICATION

20

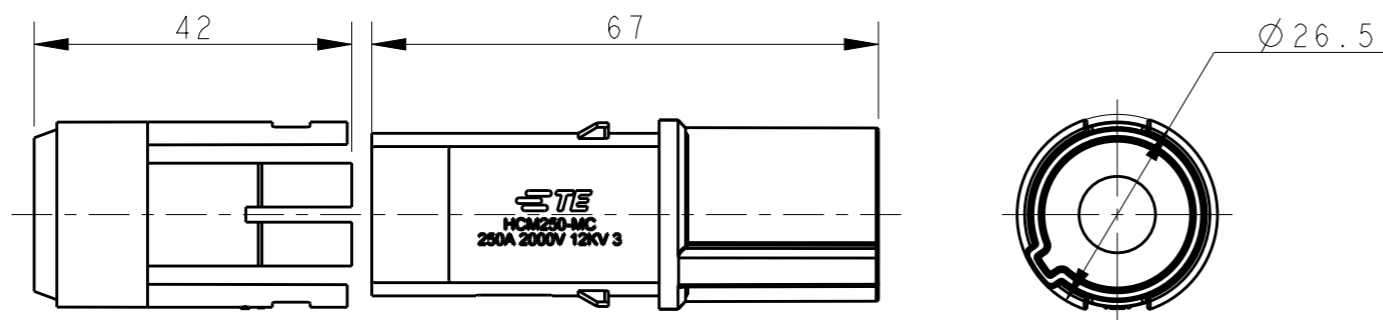
© COPYRIGHT 20 BY -

ALL RIGHTS RESERVED.

REVISIONS

P	LTR	DESCRIPTION	DATE	DWN	APVD
	A	INITIAL	05DEC2016	BS	CW

BEFORE ASSEMBLY:
组装前:



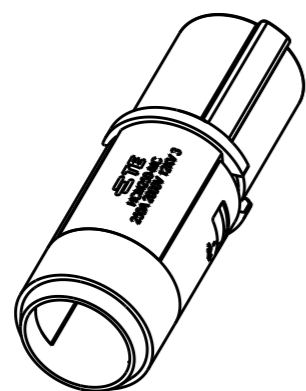
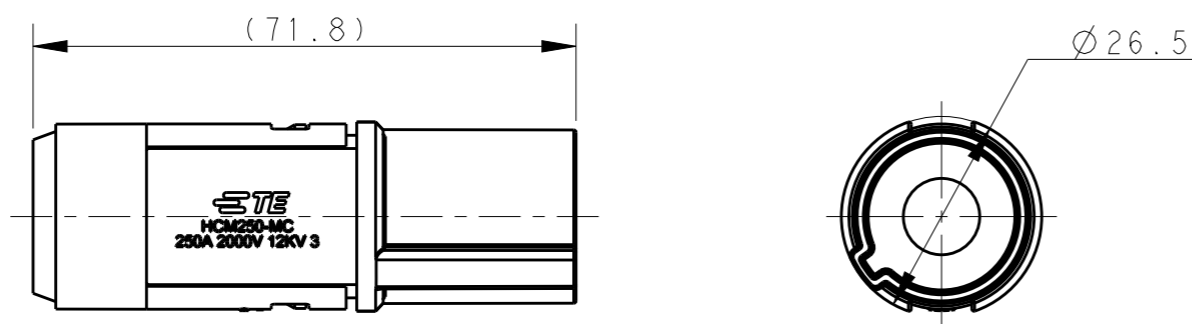
NOTES:

- TECHNICAL CHARACTERISTICS:
INSULATION MATERIAL: PC
RATED VOLTAGE: 2000V
RATED CURRENT: 250A
RATED IMPULSE VOLTAGE: 12KV
POLLUTION DEGREE: 3
FLAMMABILITY: UL94V-0
WIRE RANGE: 35-70 mm²
CONTACT TYPE: CRIMP CONTACT
- CONTACT NEED TO BE ORDERED SEPARATELY.
(ORDER No. REFER TO DRAWING:T21925010XX000)

注释:

- 技术参数:
绝缘材料: PC
额定电压: 2000V
额定电流: 250A
额定脉冲电压: 12KV
污染等级: 3
阻燃等级: UL94V-0
接线范围: 35-70 mm²
接线类型: 冷压接
- 端子需要单独订购。
(订货号参考图面: T21925010XX000)

AFTER ASSEMBLY:
组装后:



T2192503101-000	HCM250-MC	HCM250 MALE INSERT, CRIMP HCM250公插、冷压型
-----------------	-----------	---

PART NUMBER 零件料号	PART DESCRIPTION 零件描述
---------------------	--------------------------

THIS DRAWING IS A CONTROLLED DOCUMENT.

DIMENSIONS: mm	TOLERANCES UNLESS OTHERWISE SPECIFIED:
	0 PLC ±-
	1 PLC ±-
	2 PLC ±-
	3 PLC ±-
	4 PLC ±-
	ANGLES ±-
MATERIAL	FINISH
-	-
-	-

DWN	05DEC2016
BELL SU	
CHK	05DEC2016
KYLE ZENG	
APVD	05DEC2016
CHRIS WANG	
PRODUCT SPEC	108-137171
APPLICATION SPEC	114-137171
WEIGHT	-
CUSTOMER DRAWING	

TE Connectivity		NAME		RESTRICTED TO
		HCM250-MC		
SIZE	CAGE CODE	DRAWING NO	-	
A3	00779	©-T2192503101000	-	
SCALE	SHEET	OF	REV	
1:1	1	1	A	