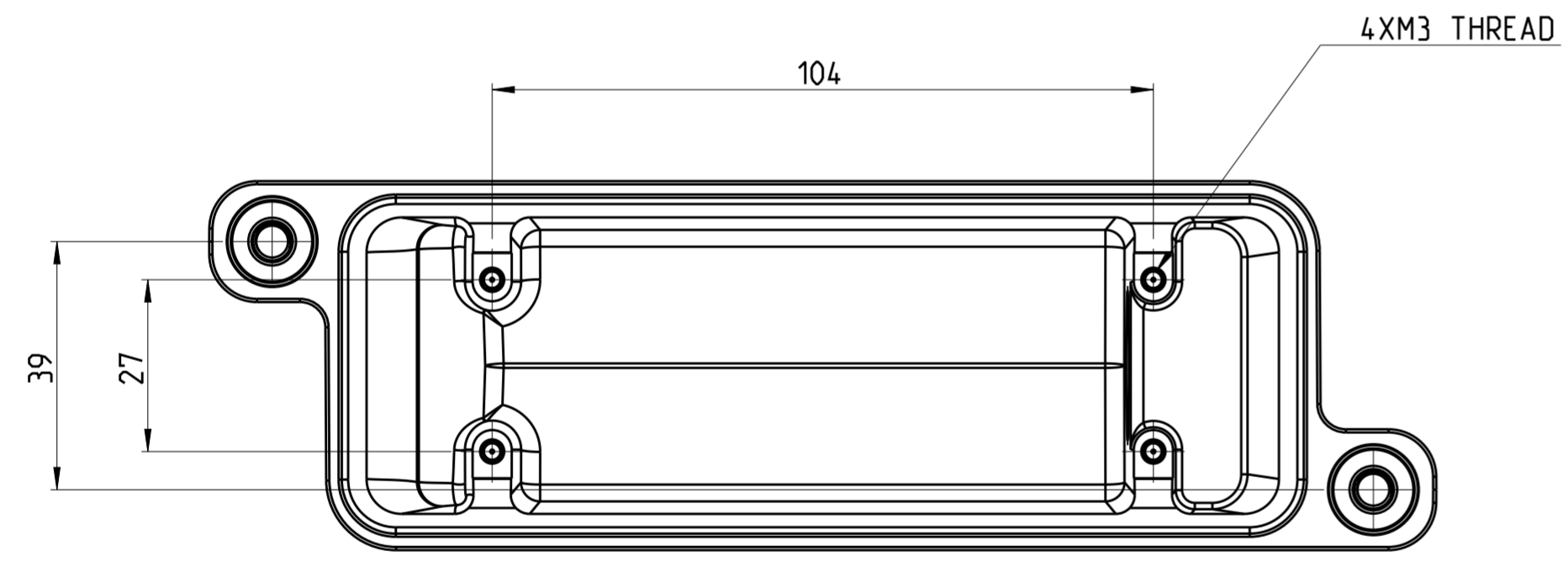
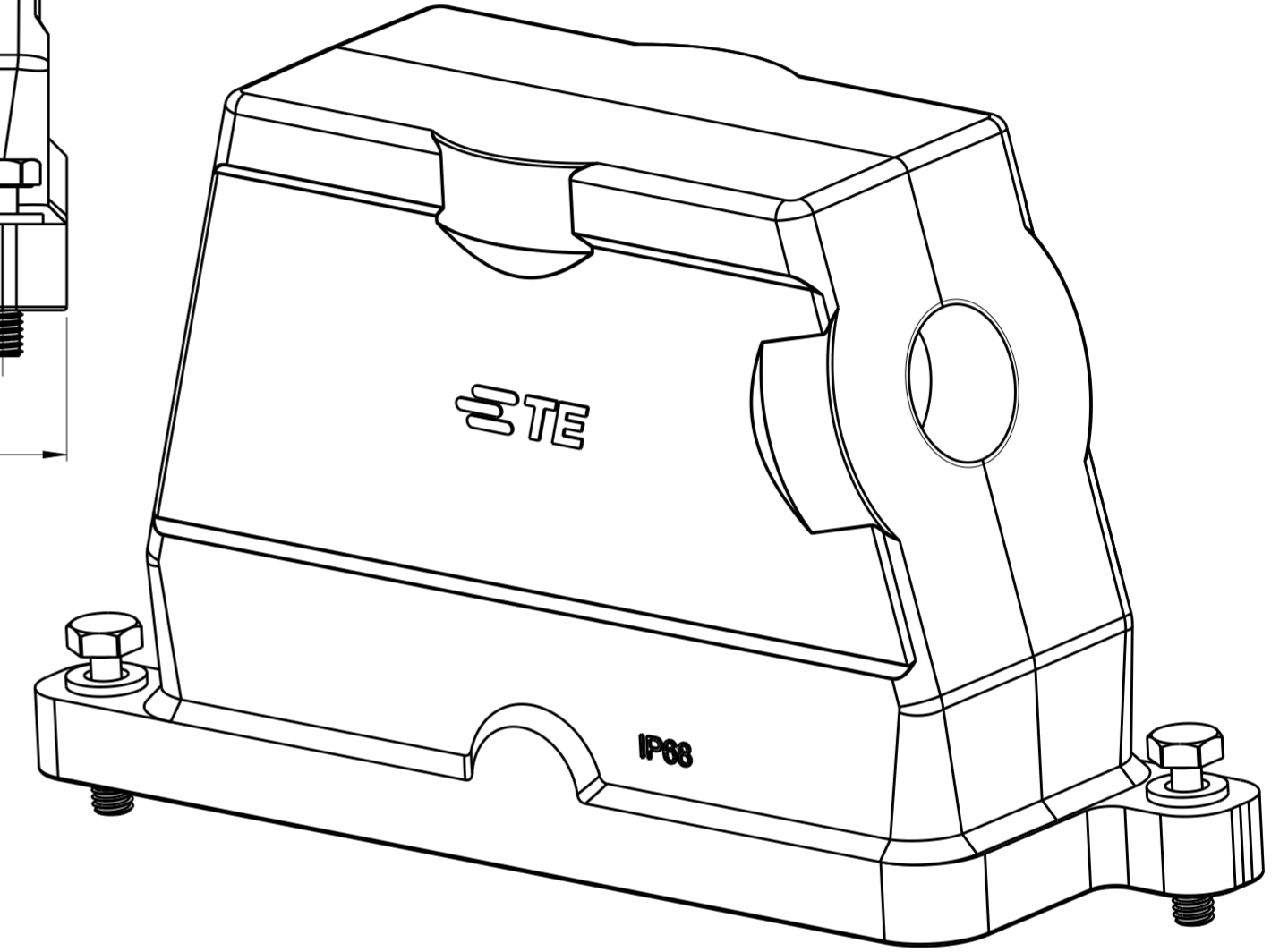
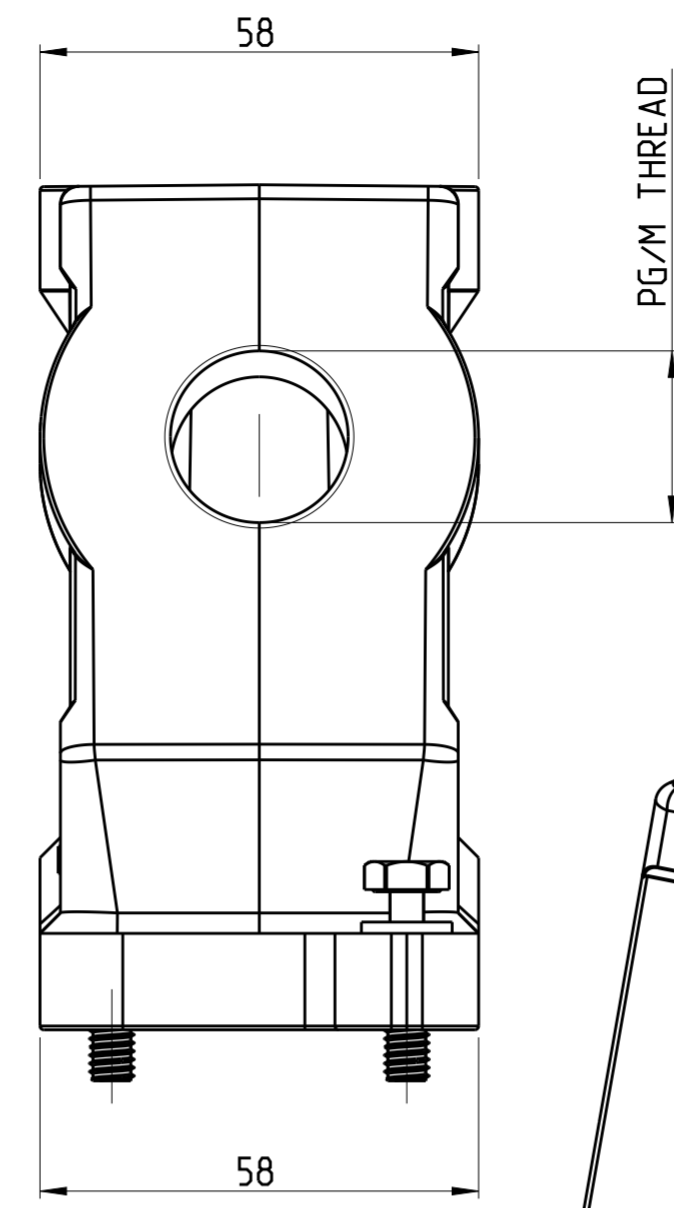
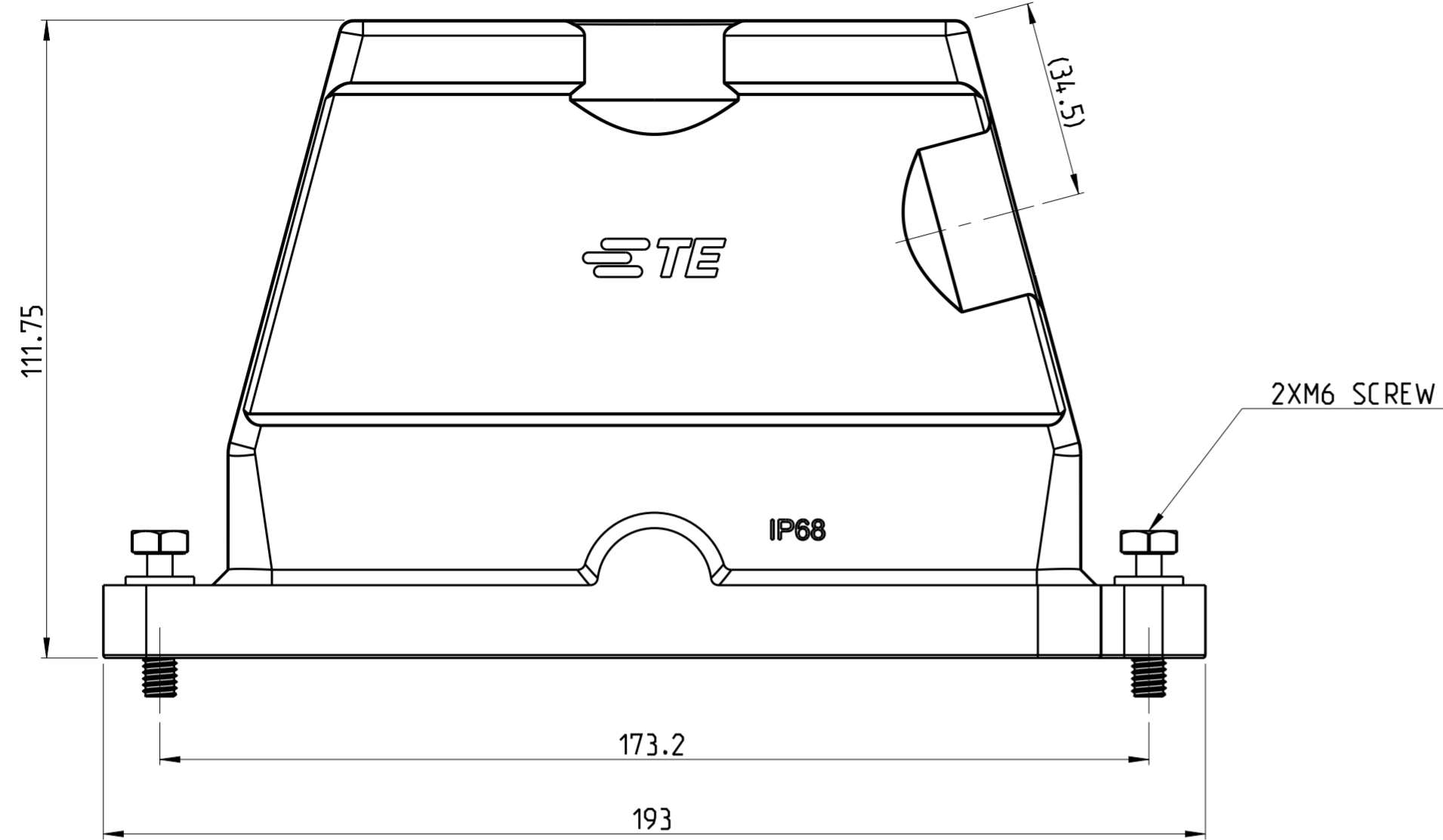


THIS DRAWING IS UNPUBLISHED. RELEASED FOR PUBLICATION 20
 © COPYRIGHT 20 BY - ALL RIGHTS RESERVED.

REVISIONS				
P	LTR	DESCRIPTION	DATE	APVD
	A	INITIAL	26Feb2015	GY CW



NOTES:
 I. TECHNICAL CHARACTERISTICS:
 HOOD MATERIAL: DIE CAST ALUMINIUM ALLOY
 SURFACE TREATMENT: SEE TABLE
 OPERATION TEMPERATURE: -40°C~+125°C
 DEGREE OF PROTECTION: IP68 (MATED)

注释
 I. 技术参数:
 壳体材料: 铝合金
 表面处理: 见表格
 工作温度: -40°C~+125°C
 防护等级: IP68 (配合)

T1910242150-000	POWDER COATED GRAY RAL7037	H24BPR-TSH-M50	M50
T1910241150-000	POWDER COATED SILVERGRAY RAL7001	H24BPR-TSH-M50	M50
T1910241140-000	POWDER COATED SILVERGRAY RAL7001	H24BPR-TSH-M40	M40
T1910241136-000	POWDER COATED SILVERGRAY RAL7001	H24BPR-TSH-PG36	PG36
T1910241132-000	POWDER COATED SILVERGRAY RAL7001	H24BPR-TSH-M32	M32
T1910241129-000	POWDER COATED SILVERGRAY RAL7001	H24BPR-TSH-PG29	PG29
T1910241125-000	POWDER COATED SILVERGRAY RAL7001	H24BPR-TSH-M25	M25
T1910241121-000	POWDER COATED SILVERGRAY RAL7001	H24BPR-TSH-PG21	PG21
T1910240150-000	POWDER COATED BLACK RAL9005	H24BPR-TSH-M50	M50
T1910240140-000	POWDER COATED BLACK RAL9005	H24BPR-TSH-M40	M40
T1910240136-000	POWDER COATED BLACK RAL9005	H24BPR-TSH-PG36	PG36
T1910240132-000	POWDER COATED BLACK RAL9005	H24BPR-TSH-M32	M32
T1910240129-000	POWDER COATED BLACK RAL9005	H24BPR-TSH-PG29	PG29
T1910240125-000	POWDER COATED BLACK RAL9005	H24BPR-TSH-M25	M25
T1910240121-000	POWDER COATED BLACK RAL9005	H24BPR-TSH-PG21	PG21
PART NUMBER	SURFACE TREATMENT	DESCRIPTION	THREAD PG/M

THIS DRAWING IS A CONTROLLED DOCUMENT.		DWN Gino.Yao 14Dec2014	TE Connectivity	
		CHK Chris.Wang 14Dec2014		
		APVD Xiang.Xu 14Dec2014	NAME H24BPR-TSH-PG/M	
DIMENSIONS: mm		PRODUCT SPEC 108-137014	SIZE A2	
TOLERANCES UNLESS OTHERWISE SPECIFIED:		APPLICATION SPEC 114-137014	CAGE CODE -	
0 PLC ±		WEIGHT -	DRAWING NO. C-T191024X1XX000	
1 PLC ±		RESTRICTED TO -		
2 PLC ±		SCALE 1:1		
3 PLC ±		SHEET 1 OF 1		
4 PLC ±		REV A		
ANGLES ±		Customer Drawing		
FINISH -				