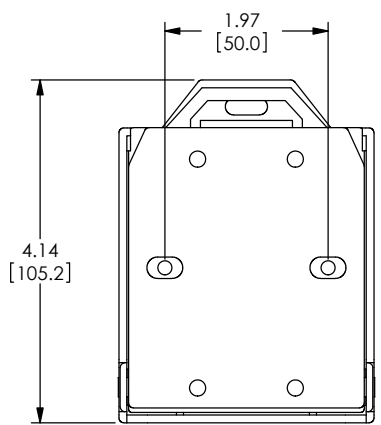
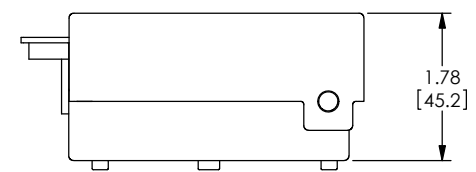
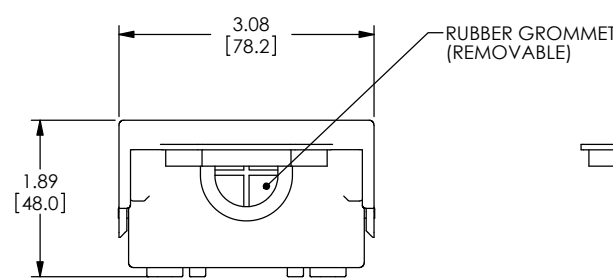
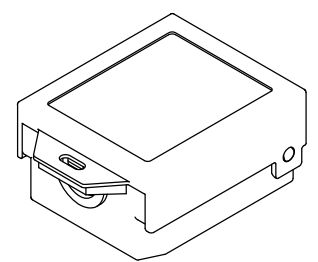
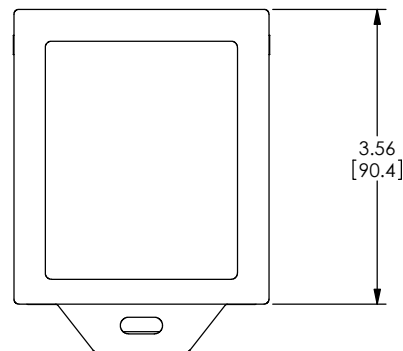


THE INFORMATION CONTAINED IN THIS DRAWING IS THE SOLE PROPERTY OF L-COM, INC. ANY REPRODUCTIONS IN PART OR WHOLE WITHOUT THE WRITTEN PERMISSION OF L-COM, INC. IS PROHIBITED.

REVISIONS			
REV	DESCRIPTION	DATE	CHANGED BY
A	RELEASED	04/26/10	DFP
B	ECN 6430: REMOVED TABULATION, ADDED PACKAGING NOTE	9/24/12	D/FRISIELLO



NOTES:

1. ALL DIMENSIONS ARE FOR REFERENCE ONLY.
2. COMPONENT SHALL BE INDIVIDUALLY PACKAGED IN ACCORDANCE WITH L-COM SPECIFICATION PKG-00012.



UNLESS OTHERWISE SPECIFIED, DIMENSIONS ARE IN INCHES (mm)
 OVERALL CABLE LENGTH TOLERANCE:
 ≤12 (305) ≤±0 (+1 (25) / -0
 >12 (305) ≤±0 (1524) = +2(51) / -0
 >60 (1524) ≤±20 (508) = +4 (102) / -0
 >120 (3048) ≤±30 (762) = +6 (152) / -0
 >300 (7620) = +5% / 0%
 ALL OTHER DIMENSIONAL TOLERANCES:
 X = ±.2
 XX = ±.152
 XXX = ±.005

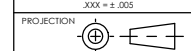
APPROVALS	DATE
DRAWN BY D. PARHAM	04/26/2010
CHECKED BY D. FRISIELLO	04/26/2010
APPROVED BY K. BURGNER	04/26/2010

L-com Global Connectivity 45 BEECHWOOD DRIVE NORTH ANDOVER, MA 01845

CATEGORY: ENCLOSURES

PRODUCT DESCRIPTION: SINGLE PORT LP ENCLOSURE

SIZE	PSCM NO.	DWG. NO.	REV.
B	43321	AL-W040302	B



CONFIGURATION DETAILS OF UNDIMENSIONED FEATURES MAY VARY
 COLOR VARIATIONS MAY OCCUR

SCALE: 1:1 CAD FILE: AL-W040302.SLDDRW SHEET 1 OF 1