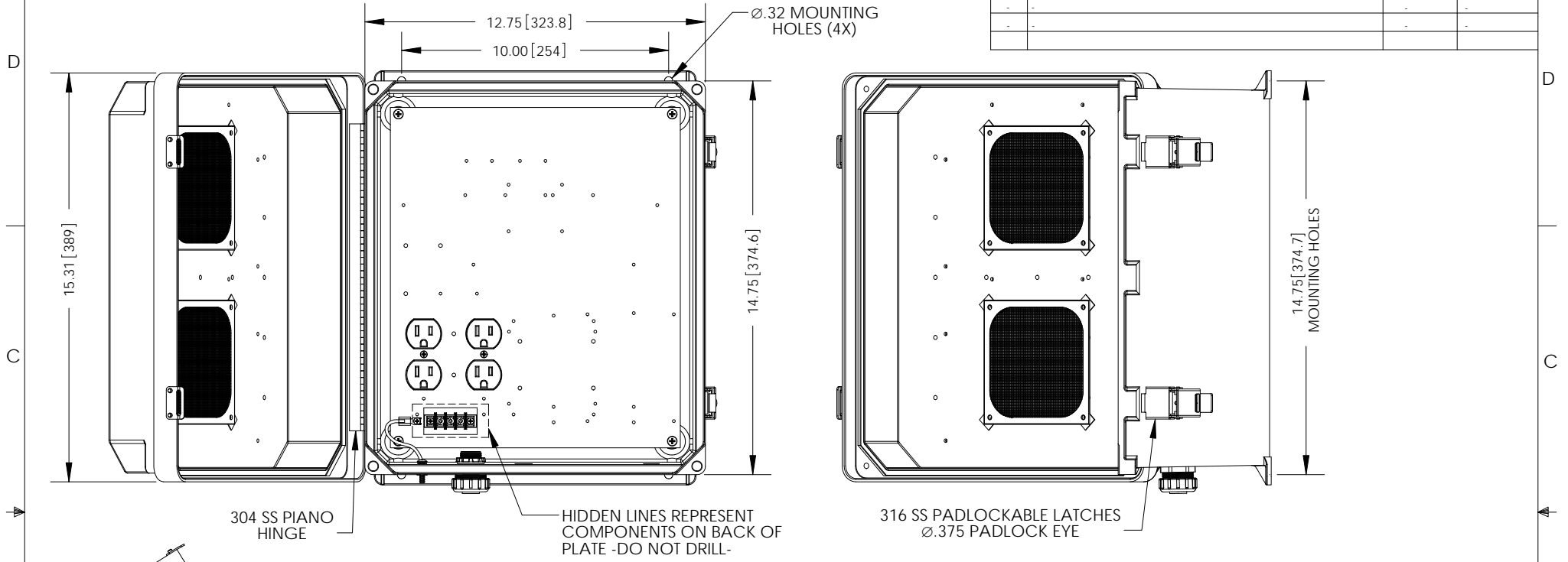
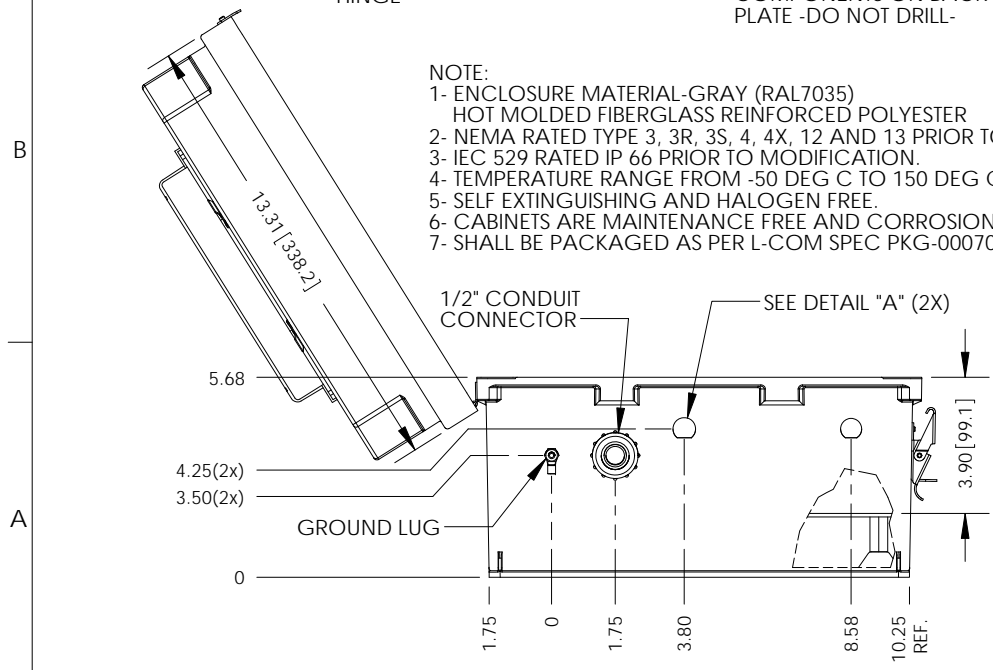
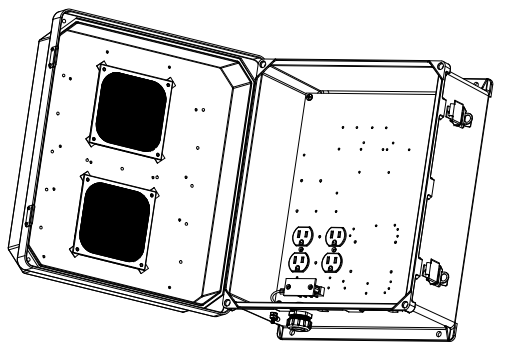
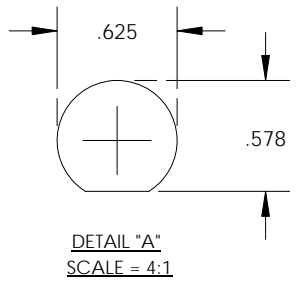


THE INFORMATION CONTAINED IN THIS DRAWING IS THE SOLE PROPERTY OF L-COM, INC. ANY REPRODUCTION IN PART OR WHOLE WITHOUT THE WRITTEN PERMISSION OF L-COM, INC. IS PROHIBITED.

REVISIONS			
REV	DESCRIPTION	DATE	APPROVED
A	Initial Release	12/01/10	B.Puchaski
-	-	-	-
-	-	-	-



- NOTE:
- ENCLOSURE MATERIAL-GRAY (RAL7035)
HOT MOLDED FIBERGLASS REINFORCED POLYESTER
 - NEMA RATED TYPE 3, 3R, 3S, 4, 4X, 12 AND 13 PRIOR TO MODIFICATIONS.
 - IEC 529 RATED IP 66 PRIOR TO MODIFICATION.
 - TEMPERATURE RANGE FROM -50 DEG C TO 150 DEG C.
 - SELF EXTINGUISHING AND HALOGEN FREE.
 - CABINETS ARE MAINTENANCE FREE AND CORROSION RESISTANT.
 - SHALL BE PACKAGED AS PER L-COM SPEC PKG-00070



UNLESS OTHERWISE SPECIFIED, DIMENSIONS ARE IN INCHES [mm]	APPROVALS	DATE	 45 BEECHWOOD DRIVE NORTH ANDOVER, MA 01845
	DRAWN BY B.Puchaski	12/01/10	
	CHECKED BY M.Martinez	12/01/10	
	APPROVED BY M.Martinez	12/01/10	
DIMENSIONAL TOLERANCES: .X = ±.1 .XX = ±.01 .XXX = ±.005	CONFIGURATION DETAILS OF UNDIMENSIONED FEATURES MAY VARY		CATEGORY ENCLOSURE
ANGULAR TOLERANCES: ALL = ± 1°	COLOR VARIATIONS MAY OCCUR		PRODUCT DESCRIPTION NEMA Enclosure 14 x 12 x 7 Weatherproof 120VAC Vented
PROJECTION 	SIZE A	FSCM NO. 43321	DWG. NO. NB141207-10V
	SCALE: NONE	CAD FILE: NB141207-10V.SLDDRW	REV. A
			SHEET 1 OF 1