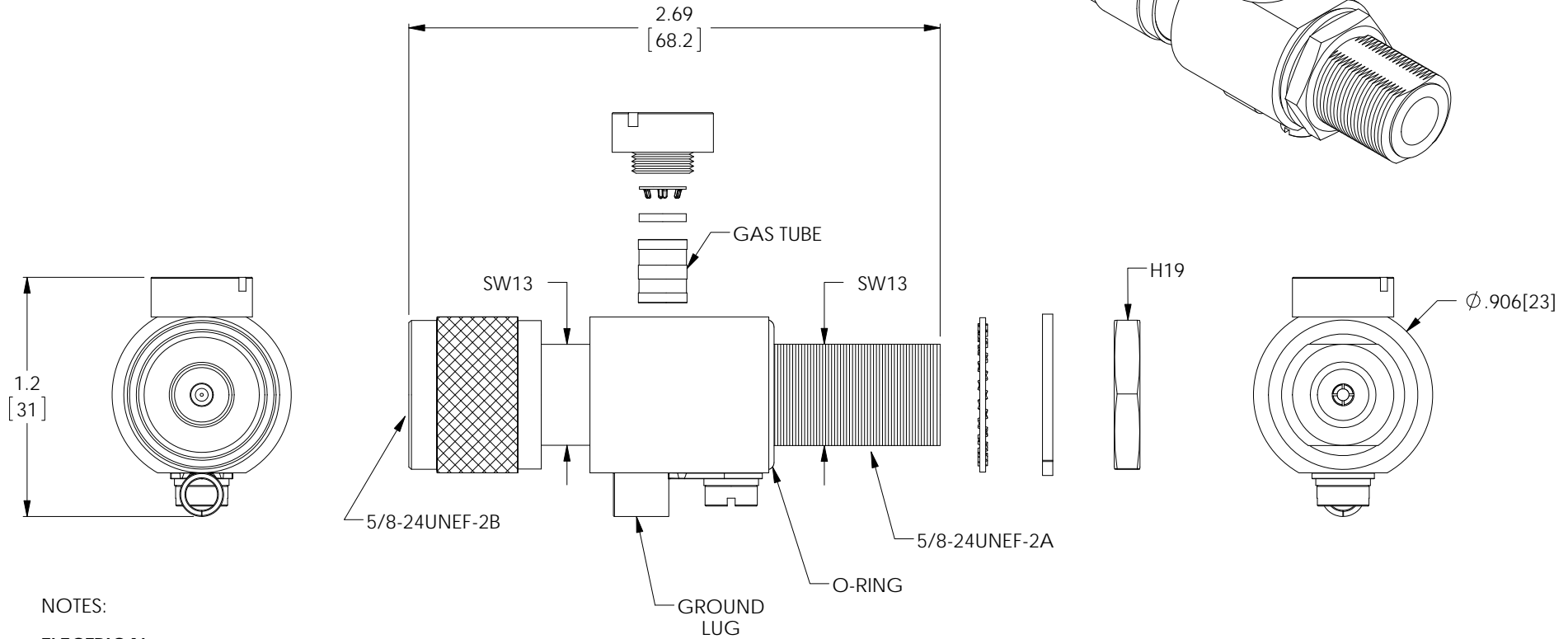
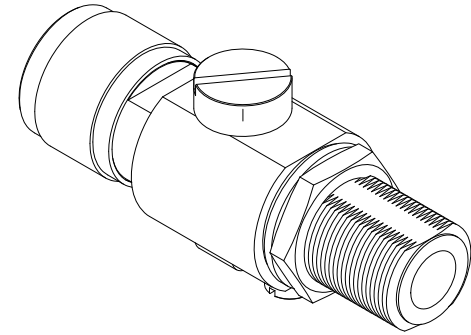


THE INFORMATION CONTAINED IN THIS DRAWING IS THE SOLE PROPERTY OF L-COM, INC. ANY REPRODUCTION IN PART OR WHOLE WITHOUT THE WRITTEN PERMISSION OF L-COM, INC. IS PROHIBITED.

REVISIONS			
REV	DESCRIPTION	DATE	APPROVED
A	INITIAL RELEASE	11/4/15	D.GRIFFIN

DESCRIPTION	MATERIAL	FINISH
SHELL / BODY	BRASS	NICKEL
CENTER CONTACT	PHOS.BRONZE/BER.	GOLD
LINING PARTS	BRASS	NICKEL
O-RING	RUBBER	-
INSULATOR	TEFLON	-
FERRULE	BRASS	NICKEL



**NOTES:**

**ELECTRICAL:**

IMPEDANCE: 50 OHMS  
 FREQUENCY RANGE: 0 - 6GHz  
 VSWR: 1:1.2 MAX (0-6GHz)  
 INSERTION LOSS: 0.6 dB MAX (0-6GHz)  
 GAS TUBE BREAKDOWN VOLTAGE: 90V ± 20%

**MISCELLANEOUS:**

COMPONENTS SHALL BE INDIVIDUALLY PACKAGED IN ACCORDANCE WITH L-COM SPECIFICATIONS PKG-00064.

ALL DIMENSIONS ARE FOR REFERENCE ONLY.

**REGULATORY COMPLIANCE:**

RoHS, CE

UNLESS OTHERWISE SPECIFIED, DIMENSIONS ARE IN INCHES [mm]  DIMENSIONAL TOLERANCES: .X = ±.1 [2.54] .XX = ±.01 [.25] .XXX = ±.005 [.13]  ANGULAR TOLERANCES: ALL = ± 1°  PROJECTION 	APPROVALS	DATE		45 BEECHWOOD DRIVE NORTH ANDOVER, MA 01845	
	DRAWN BY B. PUCHASKI	11/03/15			
	CHECKED BY K. BURGNER	11/03/15			
	APPROVED BY K. BURGNER	11/03/15	CATEGORY	LIGHTNING PROTECTOR	
	CONFIGURATION DETAILS OF UNDIMENSIONED FEATURES MAY VARY		PRODUCT DESCRIPTION		
	COLOR VARIATIONS MAY OCCUR		LP,N-MALE TO N-FEMALE BULKHEAD 0-6GHz		
	SIZE <b>A</b>	FSCM NO. <b>43321</b>	DWG. NO. <b>AL6-NMNF BW-9</b>	REV. <b>A</b>	
	SCALE: NONE	CAD FILE: AL6-NMNF BW-9.SLDDRW	SHEET 1 OF 1		