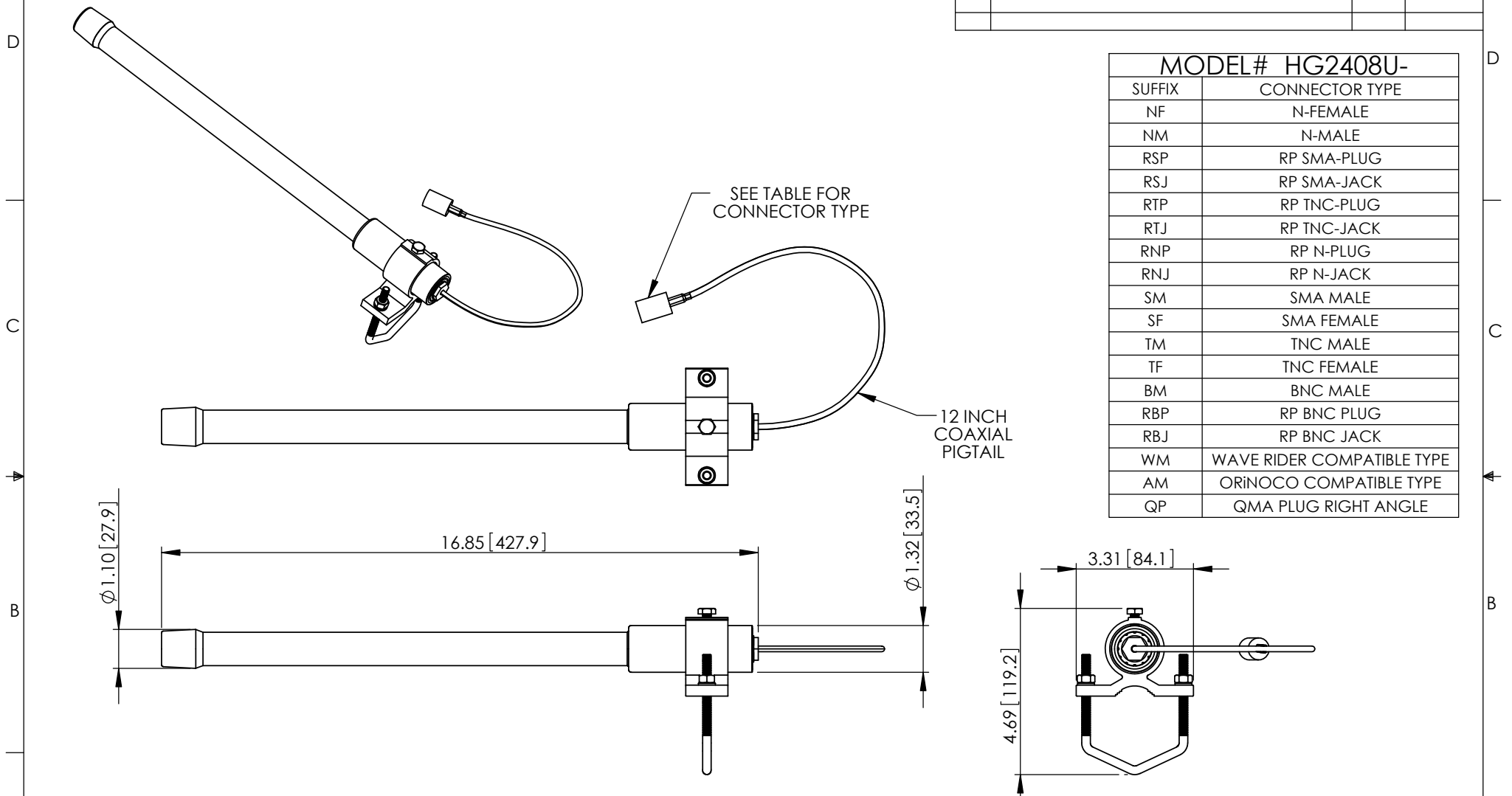


THE INFORMATION CONTAINED IN THIS DRAWING IS THE SOLE PROPERTY OF L-COM, INC. ANY REPRODUCTION IN PART OR WHOLE WITHOUT THE WRITTEN PERMISSION OF L-COM, INC. IS PROHIBITED.

REVISIONS			
REV	DESCRIPTION	DATE	APPROVED
A	INITIAL RELEASE	05/19/11	B.PUCHASKI
B	ECN7372 ADD RoHS NOTE	04/08/14	B.PUCHASKI

MODEL# HG2408U-	
SUFFIX	CONNECTOR TYPE
NF	N-FEMALE
NM	N-MALE
RSP	RP SMA-PLUG
RSJ	RP SMA-JACK
RTP	RP TNC-PLUG
RTJ	RP TNC-JACK
RNP	RP N-PLUG
RNJ	RP N-JACK
SM	SMA MALE
SF	SMA FEMALE
TM	TNC MALE
TF	TNC FEMALE
BM	BNC MALE
RBP	RP BNC PLUG
RBJ	RP BNC JACK
WM	WAVE RIDER COMPATIBLE TYPE
AM	ORINOCO COMPATIBLE TYPE
QP	QMA PLUG RIGHT ANGLE



NOTES:

PACKAGING:
COMPONENT SHALL BE INDIVIDUALLY PACKAGED IN ACCORDANCE WITH L-COM SPECIFICATION PKG-00021

REGULATORY COMPLIANCE:
CE2011/65/EU(RoHS DIRECTIVE)

UNLESS OTHERWISE SPECIFIED, DIMENSIONS ARE IN INCHES [mm] OVERALL CABLE LENGTH TOLERANCE: ≤12 [305] = +1 [25] / -0 >12 [305] ≤60 [1524] = +2 [51] / -0 >60 [1524] ≤120 [3048] = +4 [102] / -0 >120 [3048] ≤300 [7620] = +6 [152] / -0 >300 [7620] = +5% / -0%	APPROVALS	DATE		45 BEECHWOOD DRIVE NORTH ANDOVER, MA 01845
	DRAWN BY B.PUCHASKI	05/19/11		
ALL OTHER DIMENSIONAL TOLERANCES: .X = ± .2 [5.08] .XX = ± .02 [51] .XXX = ± .005 [1.27]	CHECKED BY P.PESA	05/19/11	CATEGORY ANTENNA	
	APPROVED BY P.PESA	05/19/11	PRODUCT DESCRIPTION 2.4GHz 8dBi OMNI ANTENNA W/ 12 INCH PIGTAIL AND CONNECTOR	
PROJECTION 	CONFIGURATION DETAILS OF UNDIMENSIONED FEATURES MAY VARY	COLOR VARIATIONS MAY OCCUR	SIZE A	FSCM NO. 43321
			DWG. NO. HG2408U	REV. B
			SCALE: NONE	CAD FILE: HG2408U.SLDDRW
				SHEET 1 OF 1