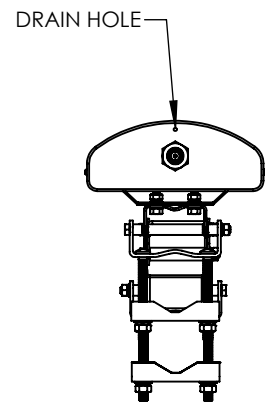
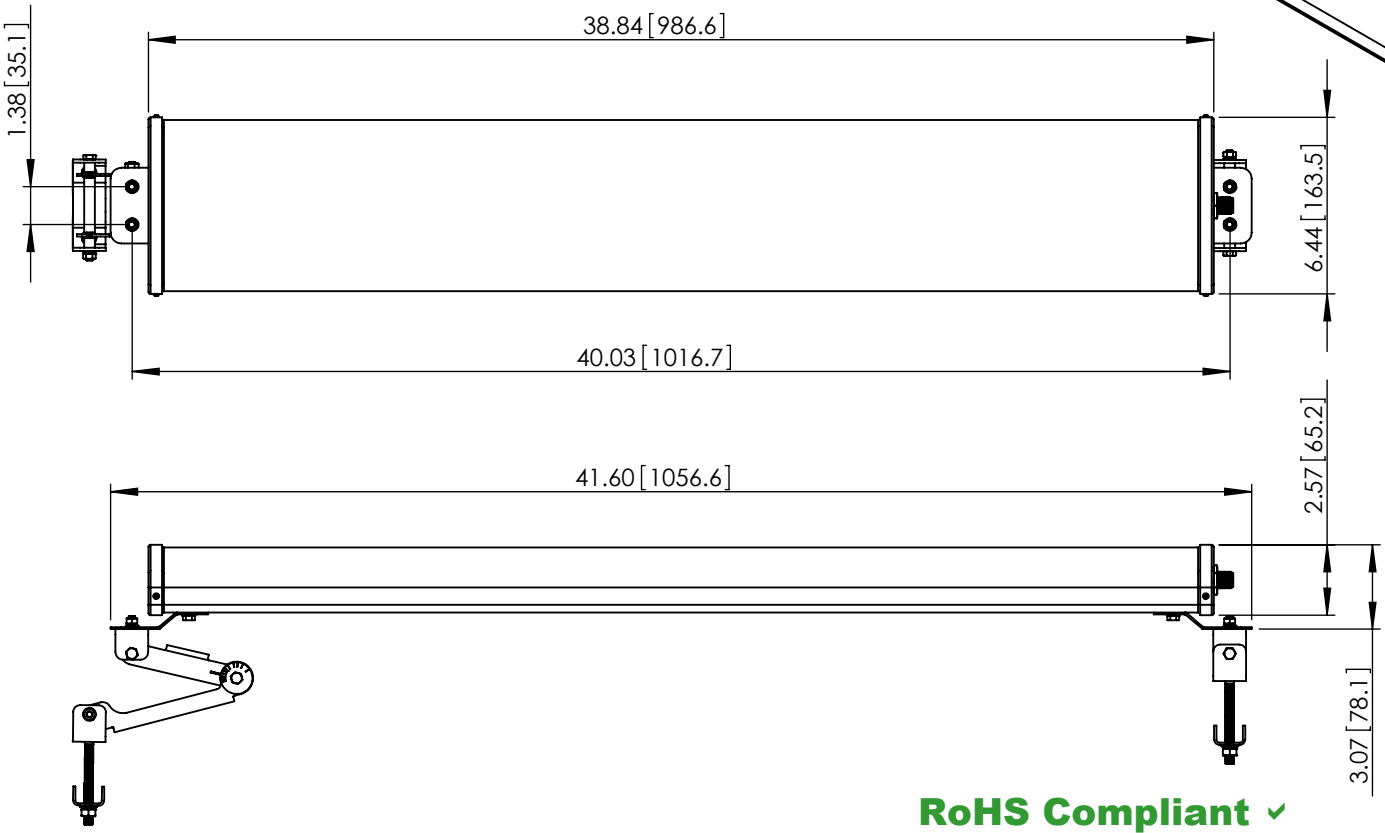
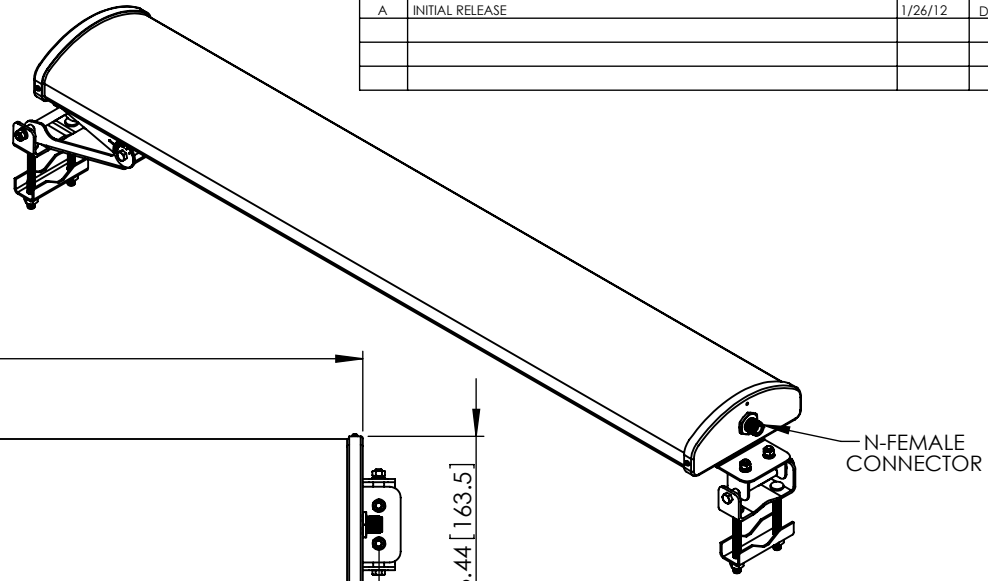


**The following drawing sheet(s) represent
components of:**

HK2417-120NF

THE INFORMATION CONTAINED IN THIS DRAWING IS THE SOLE PROPERTY OF L-COM, INC. ANY REPRODUCTION IN PART OR WHOLE WITHOUT THE WRITTEN PERMISSION OF L-COM, INC. IS PROHIBITED.

REVISIONS			
REV	DESCRIPTION	DATE	APPROVED
A	INITIAL RELEASE	1/26/12	D.GRIFFIN



N-FEMALE CONNECTOR

DRAIN HOLE

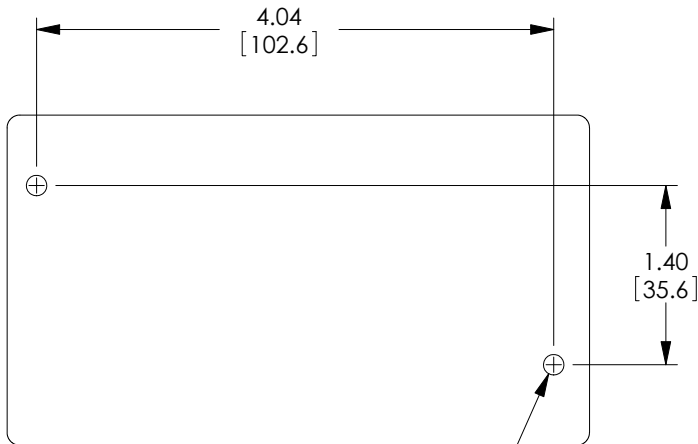
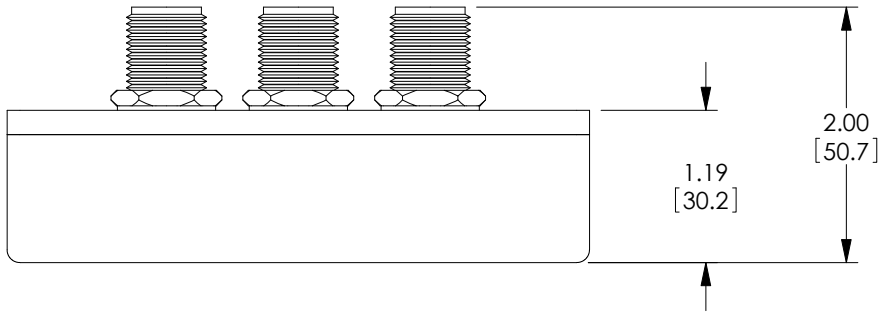
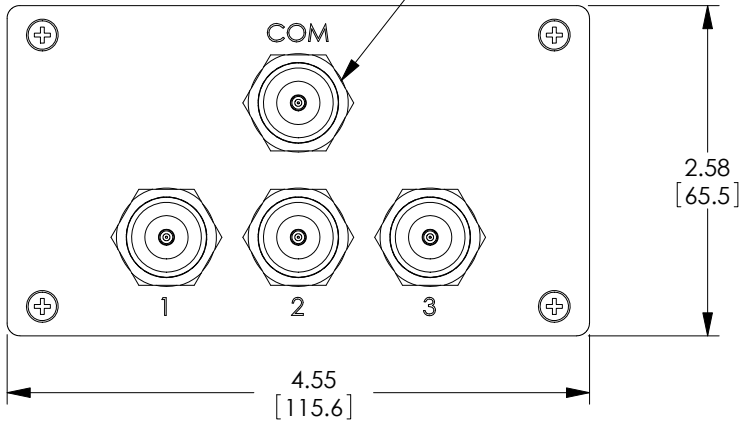
RoHS Compliant ✓

NOTES:
PACKAGING:
COMPONENT SHALL BE PACKAGED IN ACCORDANCE WITH L-COM SPEC PKG-00010.

UNLESS OTHERWISE SPECIFIED, DIMENSIONS ARE IN INCHES [mm] DIMENSIONAL TOLERANCES: .X = ±.1 .XX = ±.01 .XXX = ±.005 ANGULAR TOLERANCES: ALL = ± 1° PROJECTION 	APPROVALS DRAWN BY B.PUCHASKI	DATE 01/25/12		45 BEECHWOOD DRIVE NORTH ANDOVER, MA 01845	
	CHECKED BY P.PESA	01/25/12		CATEGORY ANTENNA	
	APPROVED BY P.PESA	01/25/12	PRODUCT DESCRIPTION 2.4GHz 17dBi 120° SECTOR PANEL ANTENNA W/ N-FEMALE CONNECTOR		
	COLOR VARIATIONS MAY OCCUR	SIZE A	FSCM NO. 43321	DWG. NO. HG2417P-120	REV. A
SCALE: NONE		CAD FILE: HG2417P-120.SLDDRW		SHEET 1 OF 1	

THE INFORMATION CONTAINED IN THIS DRAWING IS THE SOLE PROPERTY OF L-COM, INC. ANY REPRODUCTION IN PART OR WHOLE WITHOUT THE WRITTEN PERMISSION OF L-COM, INC. IS PROHIBITED.

4X, TYPE N FEMALE CONNECTOR



2X, #10-32 UNF-2B TAP THRU

REVISIONS			
REV	DESCRIPTION	DATE	APPROVED
A	INITIAL RELEASE	7/14/05	K.BURGNER
B	ECN 5354: CN RELEASE, NEW FORMAT	3/1/11	D.FRISIELLO
C	ECN 5402: REMOVE "PS-0031" FROM PACKAGING NOTE	3/22/11	D.FRISIELLO

NOTES:

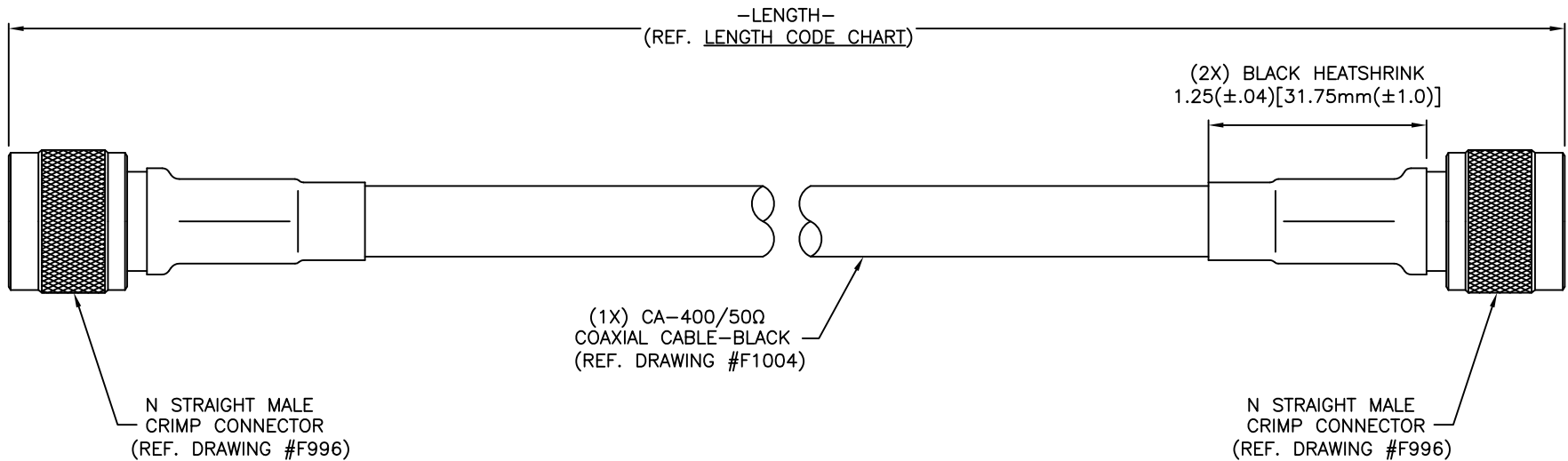
ALL DIMENSIONS ARE FOR REFERENCE ONLY.



COMPONENT SHALL BE INDIVIDUALLY PACKAGED IN ACCORDANCE WITH L-COM SPECIFICATIONS.

RoHS Compliant ✓


UNLESS OTHERWISE SPECIFIED, DIMENSIONS ARE IN INCHES [mm] OVERALL CABLE LENGTH TOLERANCE: ≤12 [305] = +1 [25] / -0 >12 [305] ≤60 [1524] = +2 [51] / -0 >60 [1524] ≤120 [3048] = +4 [102] / -0 >120 [3048] ≤300 [7620] = +6 [152] / -0 >300 [7620] = +3% / -0% ALL OTHER DIMENSIONAL TOLERANCES: .X = ±.2 .XX = ±.02 .XXX = ±.005	APPROVALS DRAWN BY K.BURGNER CHECKED BY K.BURGNER APPROVED BY K.BURGNER	DATE 7/14/05 7/14/05 7/14/05	45 BEECHWOOD DRIVE NORTH ANDOVER, MA 01845	
	CONFIGURATION DETAILS OF UNDIMENSIONED FEATURES MAY VARY COLOR VARIATIONS MAY OCCUR			CATEGORY COAXIAL PRODUCT DESCRIPTION 2.4 GHz SPLITTER 3-WAY, N-FEMALE
PROJECTION 	SIZE A	FSCM NO. 43321	DWG. NO. SC2403N	REV. C
SCALE: NONE		CAD FILE: SC2403N.SLDDRW		SHEET 1 OF 1



LENGTH CODE CHART		
CABLE# & LENGTH	LENGTH SYMBOL	EXAMPLES OF PART# USED
CA3NXXX	WHERE XXX = LENGTH IN FEET	CA3N010 (10 FEET)
CA3NNXX	WHERE NXX = LENGTH IN INCHES	CA3NN16 (16 INCHES)
CA3NMXX	WHERE MXX = LENGTH IN METERS	CA3NM07 (7 METERS)
CA3NXMX	WHERE XMX = LENGTH IN DECIMEL METERS	CA3N3M5 (3.5 METERS)

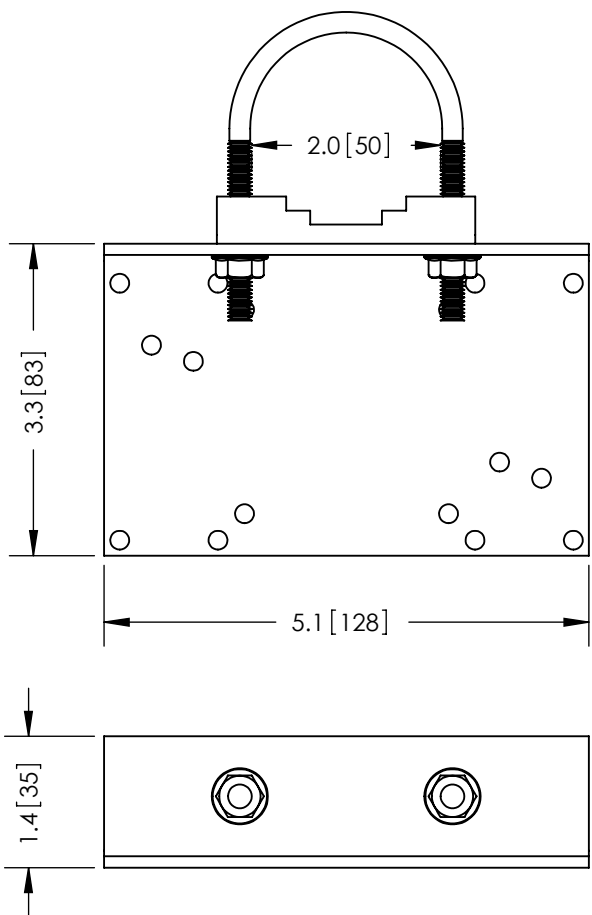
NOTES:

1. CABLE ASSEMBLY SHALL BE TESTED FOR CONTINUITY
2. CABLE ASSEMBLY SHALL RECIEVE INSERTION LOSS TEST#TP-00079
3. CABLE ASSEMBLY SHALL WITHSTAND PULL TEST OF 40lbs WITHOUT ANY SEPERATION OR ELECTRICAL FAILURE
4. CABLE SHALL BE RoHS COMPLIANT
5. CABLE ASSEMBLY SHALL BE INDIVIDUALLY PACKAGED IN ACCORDANCE WITH L-COM SPECIFICATION PS-0031
6. CENTER PIN OF CONNECTORS TO BE SOLDERED OR CRIMPED ONTO CABLE INNER CONDUCTOR

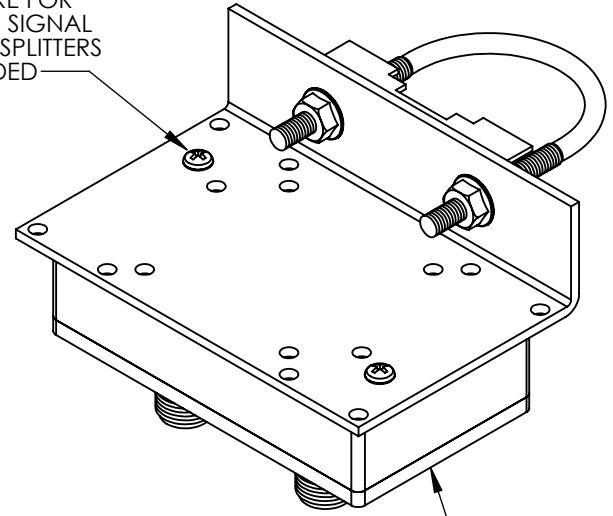
UNLESS OTHERWISE SPECIFIED, DIMENSIONS ARE IN INCHES <u>OVERALL CABLE LENGTH TOLERANCE</u> ≤ 12 [305] = +1 [25]/-0 >12 [305] ≤ 60 [1524] = +2 [51] /-0 >60 [1524] ≤ 120 [3048] = +4/-0 >120 [3048] [U+2264300 [7620] = +6/-0 >300 [76290] = +5%/-0					SIZE	TITLE:		
	D	4432	12/09/09	Changed Note#2 TP-00027 to TP-00079	A	FABRICATION: CA-400 SERIES		
	C	HL_4177	08/11/09	Changed Length Reference Points To Outside Ends of Connectors		N-MALE TO N-MALE		
	B	HL-ECN-0037	05/11/09	Change Tol. for Heatshrink from ±.06" & ±.15mm		ASSEMBLY with HEATSHRINK		
REV	ECN No.	DATE	DESCRIPTION	DRAWN BY	B.Puchaski	12/09/09	DRAWING No.	REV
				ORIGINATOR	B.Puchaski	11/18/08	F990	D
 Website: www.L-com.com Tel: 1-800-343-1455 Copyright © 2009 L-com, Inc. All rights reserved.				APPROVAL	M. Audus	08/11/09	PART No. CA3N	-VAR-
				SCALE 1:1	SHEET 1/1	MATERIAL Noted	FILE No. F990-01	

THE INFORMATION CONTAINED IN THIS DRAWING IS THE SOLE PROPERTY OF L-COM, INC. ANY REPRODUCTION IN PART OR WHOLE WITHOUT THE WRITTEN PERMISSION OF L-COM, INC. IS PROHIBITED.

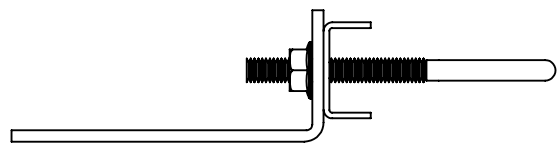
REVISIONS			
REV	DESCRIPTION	DATE	APPROVED
A	INITIAL RELEASE	1/25/12	D.GRIFFIN
-	-	-	-
-	-	-	-



HARDWARE FOR ATTACHING SIGNAL FILTERS AND SPLITTERS INCLUDED


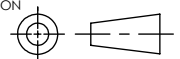


SPLITTER SHOWN ATTACHED FOR REFERENCE ONLY



NOTES:
 PACKAGING:
 COMPONENT SHALL BE PACKAGED IN ACCORDANCE WITH L-COM SPEC PKG-00012
 -ALL DIMENSIONS FOR REFERENCE-

RoHS Compliant ✓

UNLESS OTHERWISE SPECIFIED, DIMENSIONS ARE IN INCHES [mm] DIMENSIONAL TOLERANCES: .X = ±.1 .XX = ±.01 .XXX = ±.005 ANGULAR TOLERANCES: ALL = ± 1°	APPROVALS	DATE	 45 BEECHWOOD DRIVE NORTH ANDOVER, MA 01845
	DRAWN BY B.PUCHASKI	01/24/12	
PROJECTION 	CHECKED BY P.PESA	01/24/12	CATEGORY ANTENNA
	APPROVED BY P.PESA	01/24/12	PRODUCT DESCRIPTION MAST MOUNTING KIT FOR SIGNAL FILTERS AND SPLITTERS
	COLOR VARIATIONS MAY OCCUR	SIZE A	FSCM NO. 43321
		DWG. NO. HGX-PMT14	REV. A
		SCALE: NONE	CAD FILE: HGX-PMT14.SLDDRW
			SHEET 1 OF 1