

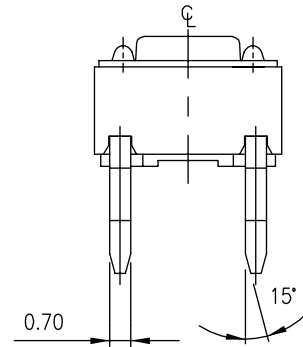
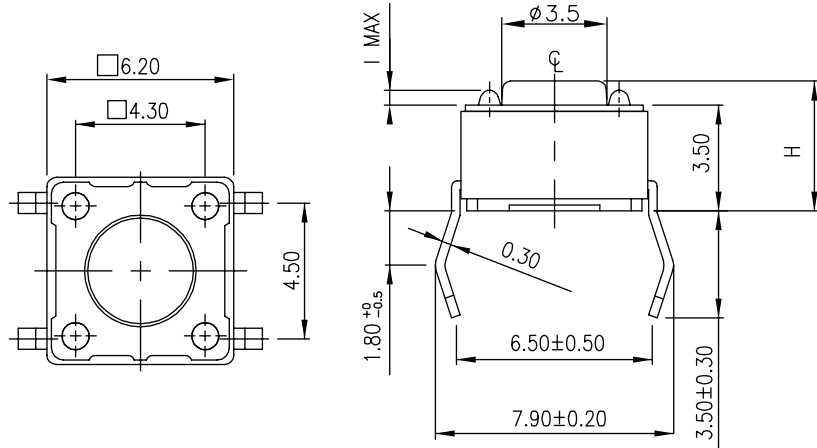


PART NO.

MCDTS6 Series

REVISIONS

ECN #	REV	DESCRIPTION	DRAWN	DATE	CHECKD	DATE	APPRVD	DATE
-	1.0	RELEASED	AB	12/07/18	ER	12/07/18	ER	12/07/18

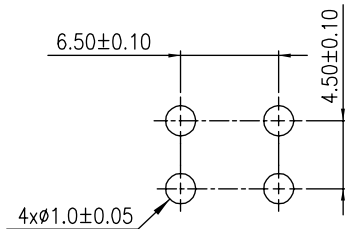


Specifications

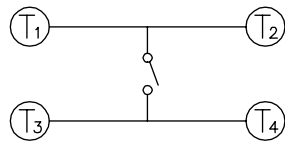
Contact Rating	: 50mA, 12VDC
Contact Resistance	: 100mΩ Max.
Insulation Resistance	: 100MΩ Min. 500VDC
Dielectric Strength	: 250VAC/minute
Travel	: 0.25mm
Dome	: Phosphor Bronze
Operating Life	: 100,000 cycles for 260gf 200,000 cycles for 100gf/160gf
Operating Temperature	: -25°C to +70°C
Storage Temperature	: -30°C to +80°C

Part Number Table

Description	Height	Operating Force	Part Number
Tactile Switch, Non Illuminated, Through Hole, Black	4.3mm	100gf	MCDTS6-1K
Tactile Switch, Non Illuminated, Through Hole, Brown	4.3mm	160gf	MCDTS6-1N
Tactile Switch, Non Illuminated, Through Hole, Red	4.3mm	260gf	MCDTS6-1R
Tactile Switch, Non Illuminated, Through Hole, Brown	5mm	160gf	MCDTS6-2N
Tactile Switch, Non Illuminated, Through Hole, Red	5mm	260gf	MCDTS6-2R
Tactile Switch, Non Illuminated, Through Hole, Black	7mm	100gf	MCDTS6-3K
Tactile Switch, Non Illuminated, Through Hole, Brown	7mm	160gf	MCDTS6-3N
Tactile Switch, Non Illuminated, Through Hole, Red	7mm	260gf	MCDTS6-3R
Tactile Switch, Non Illuminated, Through Hole, Black	9.5mm	100gf	MCDTS6-5K
Tactile Switch, Non Illuminated, Through Hole, Brown	9.5mm	160gf	MCDTS6-5N
Tactile Switch, Non Illuminated, Through Hole, Red	9.5mm	260gf	MCDTS6-5R



P.C.B. LAYOUT



CIRCUIT DIAGRAM

Dimensions : Millimetres
Tolerance ±0.2mm Max.

www.element14.com
www.farnell.com
www.newark.com

Important Notice : This data sheet and its contents (the "Information") belong to the members of the Premier Farnell group of companies (the "Group") or are licensed to it. No licence is granted for the use of it other than for information purposes in connection with the products to which it relates. No licence of any intellectual property rights is granted. The Information is subject to change without notice and replaces all data sheets previously supplied. The Information supplied is believed to be accurate but the Group assumes no responsibility for its accuracy or completeness, any error in or omission from it or for any use made of it. Users of this data sheet should check for themselves the Information and the suitability of the products for their purpose and not make any assumptions based on information included or omitted. Liability for loss or damage resulting from any reliance on the Information or use of it (including liability resulting from negligence or where the Group was aware of the possibility of such loss or damage arising) is excluded. This will not operate to limit or restrict the Group's liability for death or personal injury resulting from its negligence. Multicomp is the registered trademark of the Group. © Premier Farnell Limited 2016.

TOLERANCES:
UNLESS OTHERWISE SPECIFIED, DIMENSIONS ARE FOR REFERENCE PURPOSES ONLY.

DRAWN BY:	DATE:
AB	12/07/18
CHECKED BY:	DATE:
ER	12/07/18
APPROVED BY:	DATE:
ER	12/07/18

DRAWING TITLE:			
Tactile Switch, 6mm x 6mm, Non-Illuminated, Through Hole			
SIZE	DWG NO.	ELECTRONIC FILE	REV
A4	MCDTS6-001	001	1.0
SCALE: NTS		U.O.M.: mm	SHEET: 1 of 1