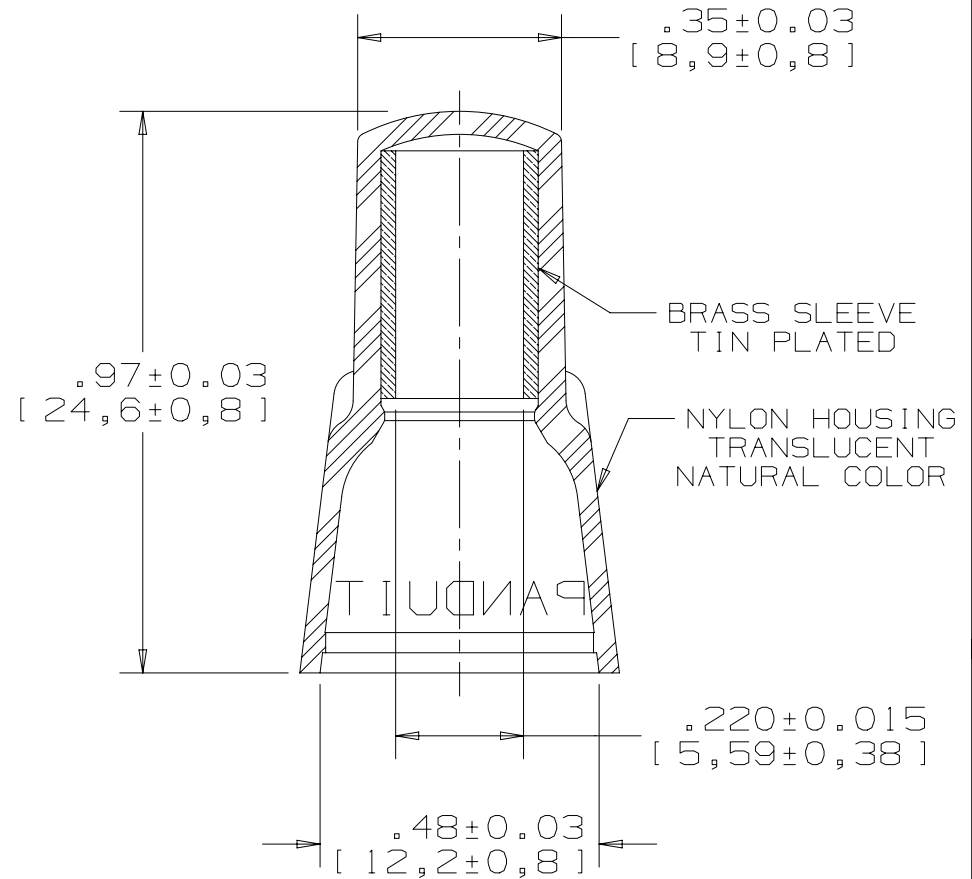


THIS COPY IS PROVIDED ON A RESTRICTED BASIS AND IS NOT TO BE USED IN ANY WAY DETRIMENTAL TO THE INTERESTS OF PANDUIT CORP.

WIRE SIZE	NO. OF WIRES	NUMBER OF ADDITIONAL WIRES OF ONE SIZE			
		#16 AWG	#14 AWG	#12 AWG	#10 AWG
#16 AWG	1	3-6	2-4	2-3	1 OR 2
	2	2-5	1-3	1 OR 2	1 OR 2
	3	1-4	1 OR 2	1 OR 2	1
	4	1-3	1	1	1
	5	1 OR 2	1	1	1
	6	1	0	0	0
#14 AWG	1	2-5	2-5	2-3	1 OR 2
	2	1-3	1-4	1 OR 2	1
	3	1 OR 2	1-3	1 OR 2	0
	4	1 OR 2	1 OR 2	1	0
	5	1	1	0	0
#12 AWG	1	2-5	2-4	1-3	1
	2	1-3	1-3	1 OR 2	1
	3	1	1	1	0
#10 AWG	1	1-5	1 OR 2	1 OR 2	1
	2	1 OR 2	1	0	0
#8 AWG	1	1-3	2	1	1



NOTES:

- RATED FOR:
 - A. 600V MAX VOLTAGE RATING
 - B. 221°F [105°C] MAX TEMP. RATING
 - C. #16 AWG - #8 AWG, SOLID OR STRANDED COPPER WIRE
- INSTALLATION TOOLS: CT-100A, CT-160, CT-260
- WIRE STRIP LENGTH 5/8" ^{+1/32}₋₀ [15.9mm ^{+0.8}₋₀]
- SEE www.panduit.com FOR PACKAGE QUANTITIES, INDICATED BY PART NUMBER SUFFIX
- DIMENSIONS IN BRACKETS ARE METRIC EQUIVALENT
- TWIST ENDS OF STRIPPED WIRE TOGETHER BEFORE INSERTING INTO WIRE JOINT

REV	DATE	BY	CHK	APR	DESCRIPTION	ECN
08	6/15	TMR	TMR	RGB	ADDED TOLERANCES TO DIMS, REMOVED DUPLICATE MATERIAL NOTE FOR SPACE	N41003BA-DC
07	8/11	SHOR			ADDED NOTE #2 INSTALLATION TOOLS	
05	7/10	SRB			ADDED 8AWG WIRE SIZE TO WIRE COMBINATION CHART	

TITLE						NYLON INSULATED WIRE JOINT JN314-412		
ITEM REVISION NAME						CUSTOMER DRAWING		
DATASET FILE NAME						N41003BA/08		
MATERIAL:						PANDUIT		
UNLESS OTHERWISE SPECIFIED, DIMENSIONAL TOLERANCES ARE: IN (mm)						SEE NOTES		
.x ± .1 [2.54]						.xxx ± .005 [.127]		
.xx ± .01 [.25]						ANGLES ± 5 °		
DRAWN BY						DRAWING NUMBER:		
DATE						A41003		
CHK						SHT 1 OF 1		
SCALE						A		
NONE								

D10100DA/16