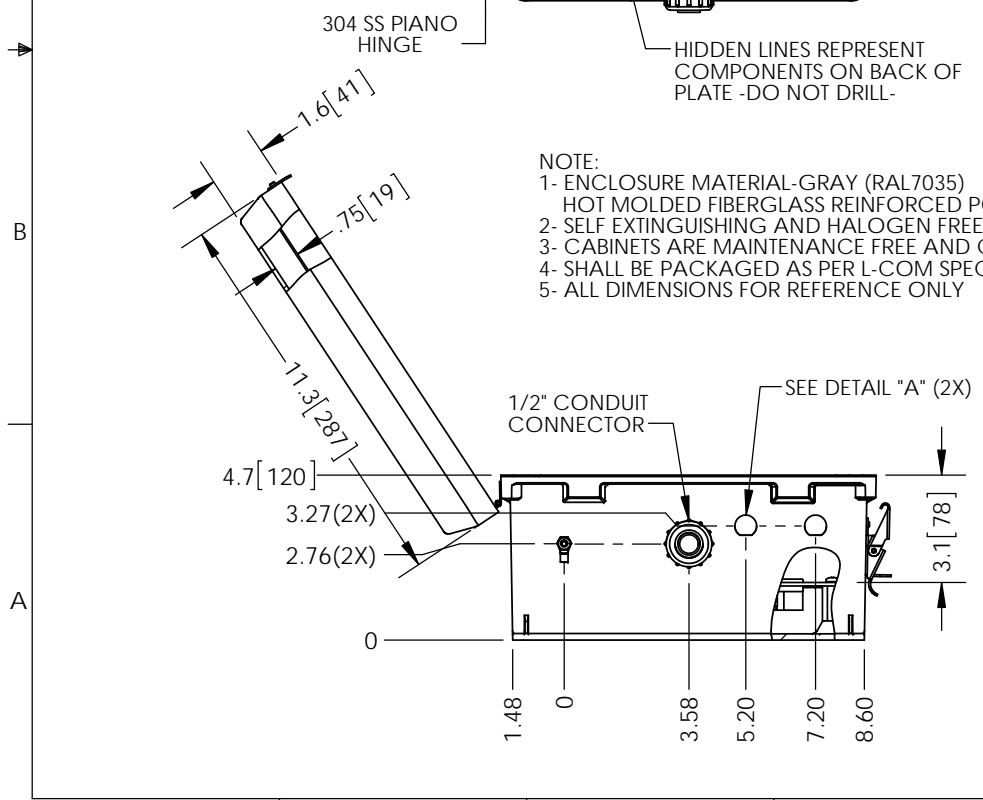
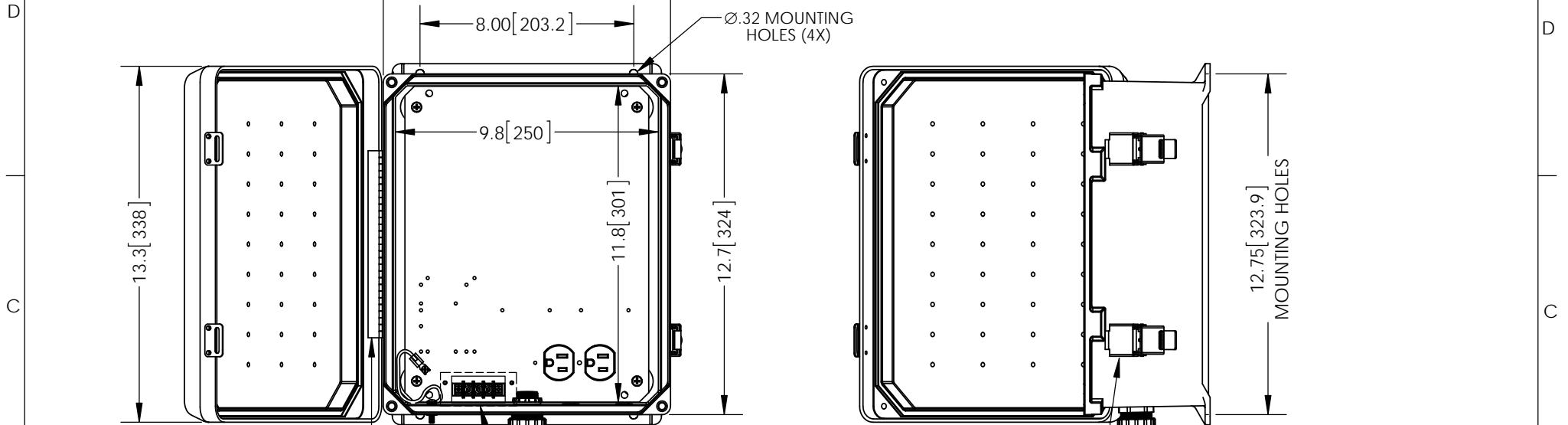
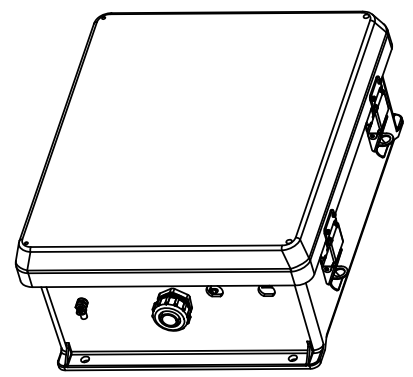
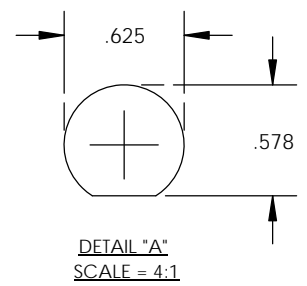


THE INFORMATION CONTAINED IN THIS DRAWING IS THE SOLE PROPERTY OF L-COM, INC. ANY REPRODUCTION IN PART OR WHOLE WITHOUT THE WRITTEN PERMISSION OF L-COM, INC. IS PROHIBITED.

REVISIONS			
REV	DESCRIPTION	DATE	APPROVED
A	INITIAL RELEASE	04/29/13	B.PUCHASKI
-	-	-	-
-	-	-	-



- NOTE:
 1- ENCLOSURE MATERIAL-GRAY (RAL7035) HOT MOLDED FIBERGLASS REINFORCED POLYESTER
 2- SELF EXTINGUISHING AND HALOGEN FREE.
 3- CABINETS ARE MAINTENANCE FREE AND CORROSION RESISTANT.
 4- SHALL BE PACKAGED AS PER L-COM SPEC PKG-00070
 5- ALL DIMENSIONS FOR REFERENCE ONLY



RoHS Compliant ✓

UNLESS OTHERWISE SPECIFIED, DIMENSIONS ARE IN INCHES [mm] DIMENSIONAL TOLERANCES: .X = ±.1 .XX = ±.01 .XXX = ±.005 ANGULAR TOLERANCES: ALL = ± 1° PROJECTION	APPROVALS B.PUCHASKI CHECKED BY P.PESA APPROVED BY P.PESA	DATE 04/25/13 04/25/13 04/25/13		45 BEECHWOOD DRIVE NORTH ANDOVER, MA 01845	
	CATEGORY ENCLOSURE		PRODUCT DESCRIPTION NEMA ENCLOSURE 12 X 10 X 5 WEATHERPROOF 120VAC		
	COLOR VARIATIONS MAY OCCUR		SIZE A	FSCM NO. 43321	DWG. NO. NB121005-100
	SCALE: NONE		CAD FILE: NB121005-100.SLDDRW		REV. A SHEET 1 OF 1