

THE INFORMATION CONTAINED IN THIS DRAWING IS THE SOLE PROPERTY OF L-COM, INC. ANY REPRODUCTION IN PART OR WHOLE WITHOUT THE WRITTEN PERMISSION OF L-COM, INC. IS PROHIBITED.

REVISIONS			
REV	DESCRIPTION	DATE	APPROVED
A	Initial Release	08/24/10	B.Puchaski
-	-	-	-
-	-	-	-

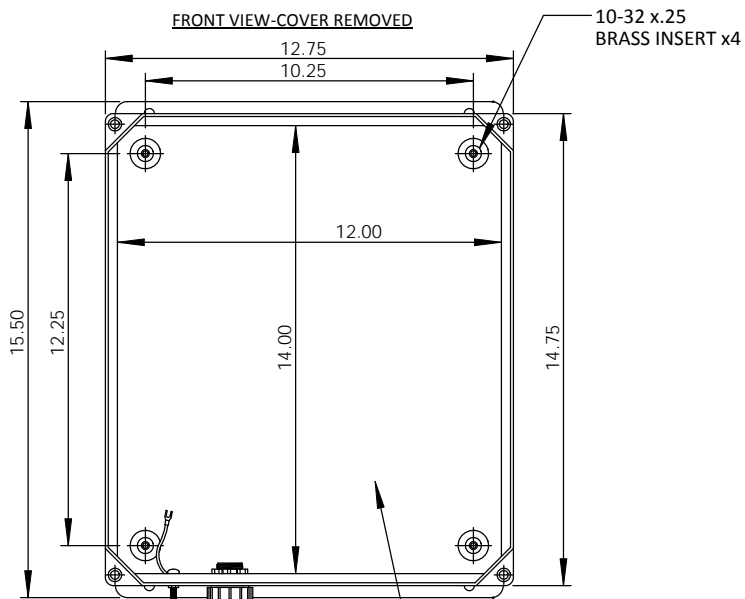
D

C

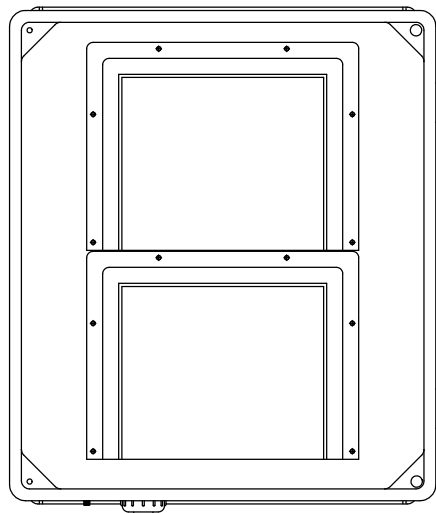
B

A

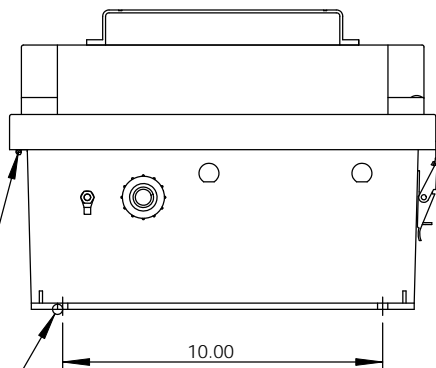
FRONT VIEW-COVER REMOVED



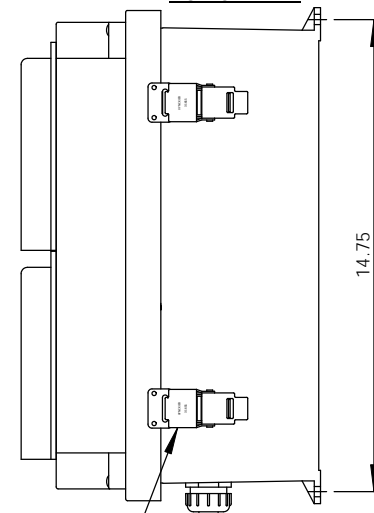
FRONT VIEW



END VIEW



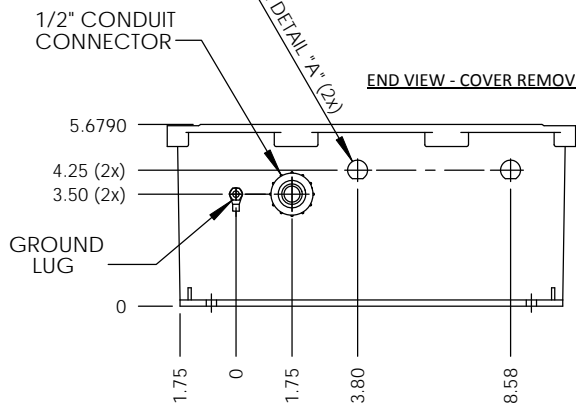
RIGHT SIDE VIEW



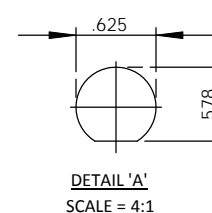
316 STAINLESS STEEL PADLOCKABLE LATCHES
Ø.375 PADLOCK EYE

SEE DETAIL 'A' (2X)

END VIEW - COVER REMOVED



304 STAINLESS STEEL PIANO HINGE



DETAIL 'A'
SCALE = 4:1

- NOTE:
- ENCLOSURE MATERIAL-GRAY (RAL7035) HOT MOLDED FIBERGLASS REINFORCED POLYESTER
 - NEMA RATED TYPE 3, 3R, 3S, 4, 4X, 12 AND 13 PRIOR TO MODIFICATIONS.
 - IEC 529 RATED IP 66 PRIOR TO MODIFICATION.
 - TEMPERATURE RANGE FROM -50 DEG C TO 150 DEG C.
 - SELF EXTINGUISHING AND HALOGEN FREE.
 - CABINETS ARE MAINTENANCE FREE AND CORROSION RESISTANT.
 - SHALL BE PACKAGED AS PER L-COM SPEC PKG-00070

UNLESS OTHERWISE SPECIFIED, DIMENSIONS ARE IN INCHES [mm] DIMENSIONAL TOLERANCES: .X = ±.1 .XX = ±.01 .XXX = ±.005 ANGULAR TOLERANCES: ALL = ± 1° PROJECTION	APPROVALS	DATE		45 BEECHWOOD DRIVE NORTH ANDOVER, MA 01845
	DRAWN BY B.Puchaski	08/24/10		
	CHECKED BY K.Blomgren	08/24/10	CATEGORY ENCLOSURE	
	APPROVED BY K.Blomgren	08/24/10	PRODUCT DESCRIPTION NEMA 3R 14 x 12 x 7 Weatherproof Vented Enclosure Only	
COLOR VARIATIONS MAY OCCUR	SIZE A	FSCM NO. 43321	DWG. NO. NB141207-03V	REV. A
SCALE: NONE		CAD FILE: NB141207-03V.SLDDRW		SHEET 1 OF 1