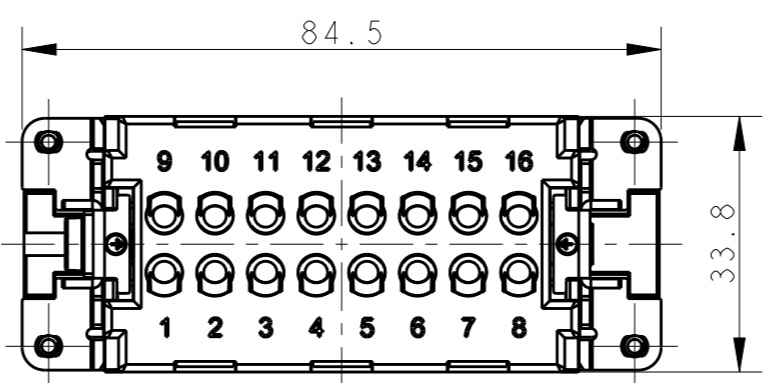
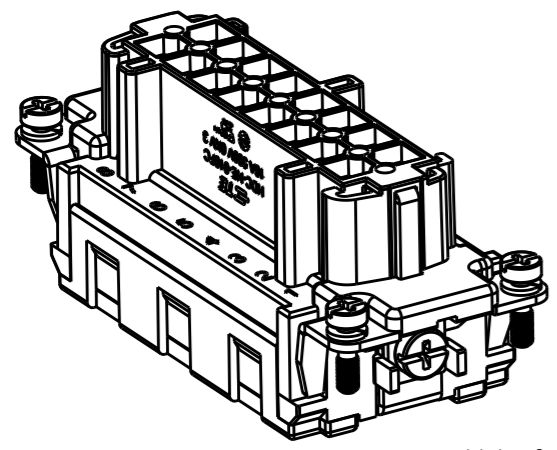
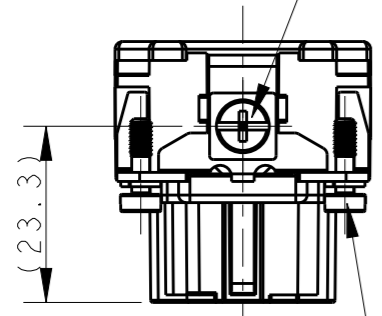


THIS DRAWING IS UNPUBLISHED. RELEASED FOR PUBLICATION 20
 © COPYRIGHT 20 BY - ALL RIGHTS RESERVED.

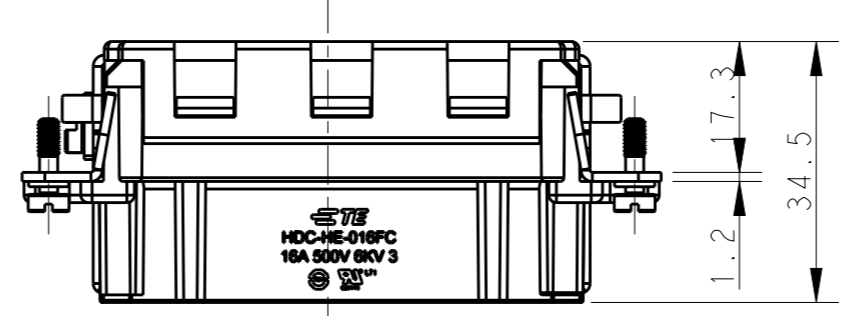
REVISIONS					
P	LTR	DESCRIPTION	DATE	DWN	APVD
A		INITIAL RELEASE	16APR2015	GY	CW
B		ECR-15-013759	12OCT2015	DW	CW
B1		ECR-16-015492	16NOV2016	QY	CW



M4 SCREW, RECOMMENDED
 TIGHTENING TORQUE 1.2Nm
 M4螺丝, 推荐锁紧力矩1.2Nm

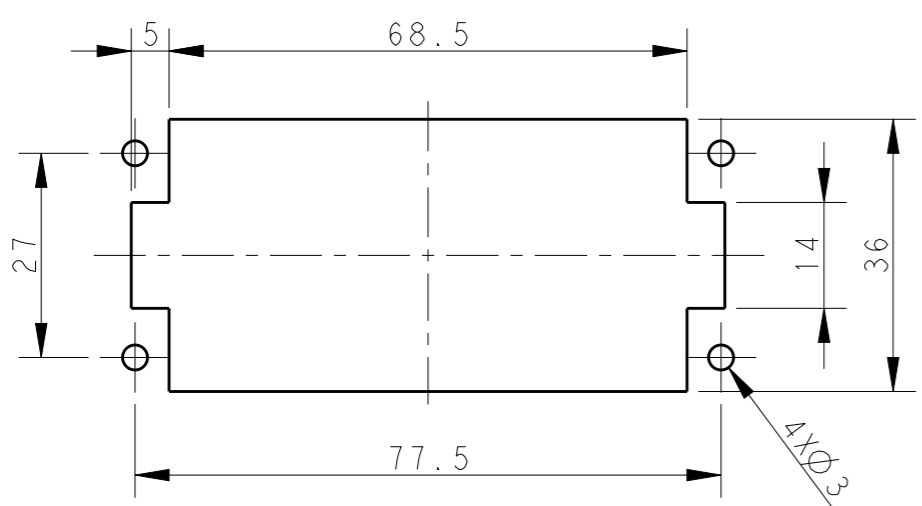


4X M3 SCREW, RECOMMENDED
 TIGHTENING TORQUE 0.5Nm
 4X M3螺丝, 推荐锁紧力矩0.5Nm

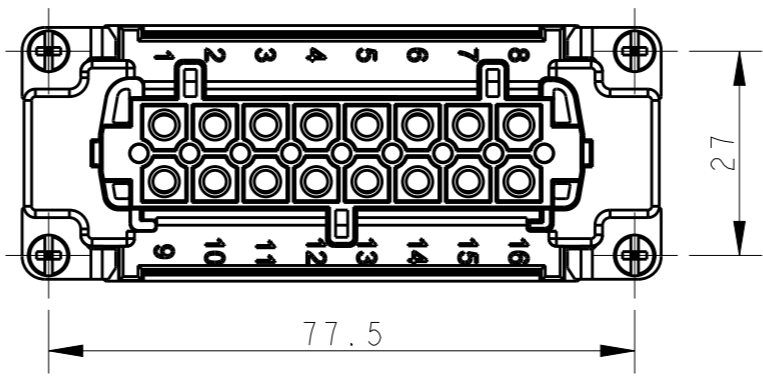


NOTES:
 1. TECHNICAL CHARACTERISTICS:
 INSULATION MATERIAL: PC
 RATED VOLTAGE: 500V
 RATED CURRENT: 16A
 INSULATION RESISTANCE: $\geq 400M\Omega$
 RATED IMPULSE VOLTAGE: 6KV
 POLLUTION DEGREE: 3
 FLAMMABILITY: UL94V-0
 MATING CYCLES: 500 CYCLES
 WIRE RANGE: $0.14mm^2 \sim 4mm^2$ (AWG26-AWG12)
 CONTACT TYPE: CRIMP CONTACT
 2. CONTACTS NEED TO BE ORDERED SEPARATELY.
 (ORDER No. REFER TO DRAWING: T20300X20XX000)

注释:
 1. 技术参数:
 绝缘材料: PC
 额定电压: 500V
 额定电流: 16A
 绝缘电阻: $\geq 400M\Omega$
 脉冲电压: 6KV
 污染等级: 3
 阻燃等级: UL94V-0
 插拔次数: 500次
 接线范围: $0.14mm^2 \sim 4mm^2$ (AWG26-AWG12)
 接线类型: 冷压接
 2. 端子需要单独订购。
 (订货号参考图面: T20300X20XX000)



PANEL CUT FOR INSERTS FOR USING
 WITHOUT HOODS/ HOUSINGS
 不使用防护外壳时芯件的安装开孔图



TYPE-1, T2040164201-000, TE LOGO
 类型-1, T2040164201-000, TE LOGO

THIS DRAWING IS A CONTROLLED DOCUMENT.		DWN	16APR2015	TE Connectivity	
		CHK	16APR2015		
		APVD	16APR2015		
		NAME	HE-016-FC		
DIMENSIONS:		PRODUCT SPEC		RESTRICTED TO	
mm		108-137044		-	
TOLERANCES UNLESS OTHERWISE SPECIFIED:		APPLICATION SPEC		SCALE	
0 PLC \pm -		114-137044		1:1	
1 PLC \pm -		WEIGHT		SHEET	
2 PLC \pm -		-		1 OF 2	
3 PLC \pm -		CUSTOMER DRAWING		REV	
4 PLC \pm -				B1	
ANGLES \pm -					
FINISH					
-					
-					

THIS DRAWING IS UNPUBLISHED.

RELEASED FOR PUBLICATION

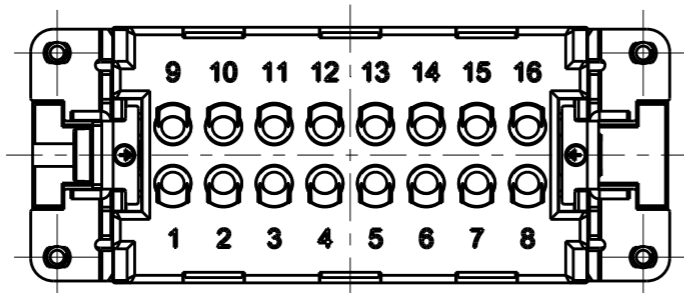
20

© COPYRIGHT 20 BY -

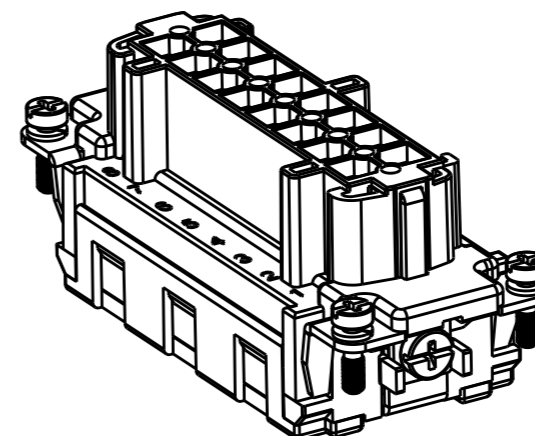
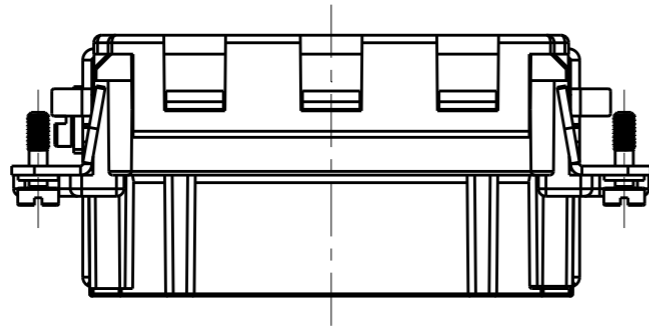
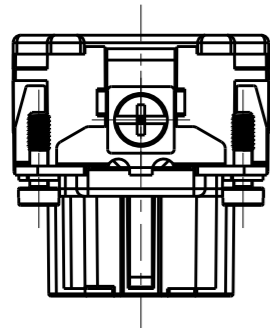
ALL RIGHTS RESERVED.

REVISIONS

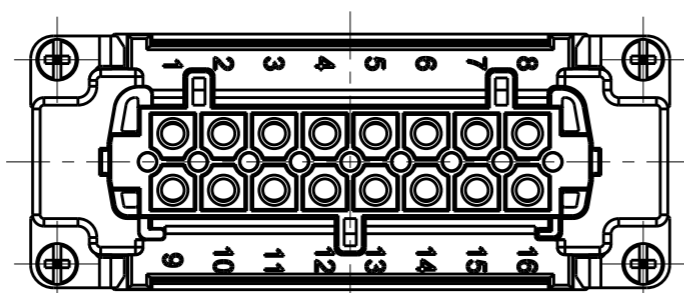
P	LTR	DESCRIPTION	DATE	DWN	APVD
-		SEE SHEET 1	-	-	-



NOTE:
SEE SHEET 1
注释:
见页 1



TYPE-2, T2040164201-001, STAINLESS STEEL SCREW, NO LOGO
类型-2, T2040164201-001, 不锈钢螺丝, 无LOGO



ALL SPEC DIMENSION REFER TO TYPE 1
所有产品规格尺寸参照 TYPE 1

T2040164201-001	HE-016-FC	HE-016 FEMALE INSERT, CRIMPING, STAINLESS STEEL SCREW, NO LOGO HE-016母插, 冷压针, 不锈钢螺丝, 无LOGO	TYPE-2 类型-2
T2040164201-000	HE-016-FC	HE-016 FEMALE INSERT, CRIMPING HE-016母插, 冷压针	TYPE-1 类型-1
PART NUMBER 料号	PART DESCRIPTION 描述		TYPE 类型

THIS DRAWING IS A CONTROLLED DOCUMENT.		DWN Gino.Yao 16APR2015		
DIMENSIONS: mm		CHK Chirs.Wang 16APR2015		
TOLERANCES UNLESS OTHERWISE SPECIFIED:		APVD Xiang.Xu 16APR2015	NAME HE-016-FC	
0 PLC ±-		PRODUCT SPEC 108-137044	SIZE A3	
1 PLC ±-		APPLICATION SPEC 114-137044	CAGE CODE 00779	DRAWING NO T2040164201000
2 PLC ±-		WEIGHT -	RESTRICTED TO -	
3 PLC ±-		CUSTOMER DRAWING	SCALE 1:1	
4 PLC ±-			SHEET 2 OF 2	
ANGLES ±-		REV B1		
MATERIAL -	FINISH -			