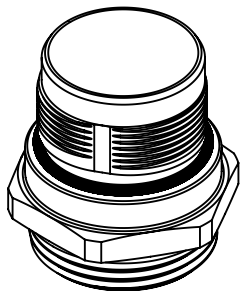
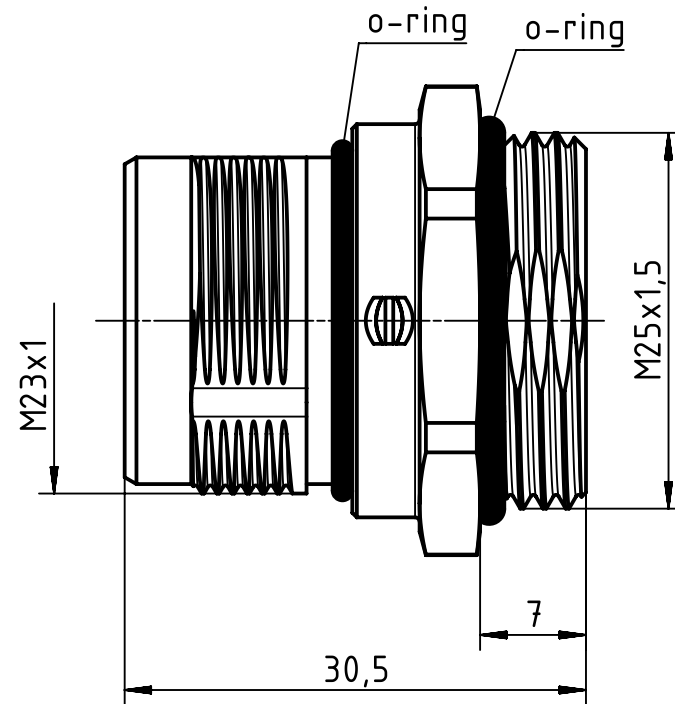
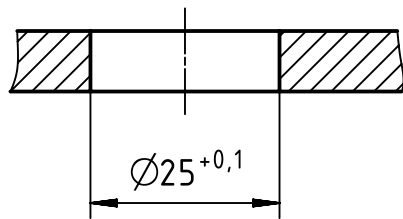
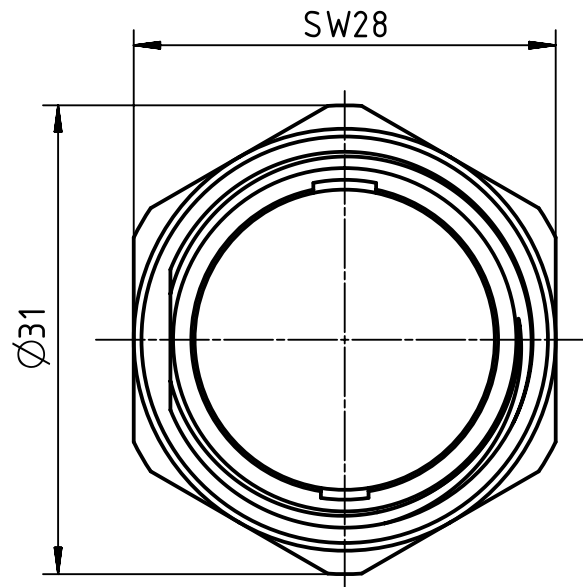
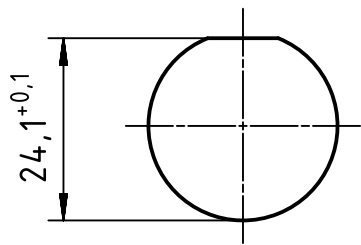


panel cut out  
(1:1)



	All Dimensions in mm Original Size DIN A4		Scale 2:1	Free size tol.		Ref.	
						Sub.	
	All rights reserved		Created by HARLASSK	Inspected by RIEPE	Standardisation RUETERA	Date 2017-10-06	State Final Release
	Department EL PD - DE		Title Han M23 P HBM Front M25x1,5			Doc-Key / ECM-Nr. 100735447/UGD/000/B 500000126204	
HARTING Electric GmbH & Co. KG D-32339 Espelkamp			Type TB	Number 09 15 600 0313		Rev. B	Page 1/1