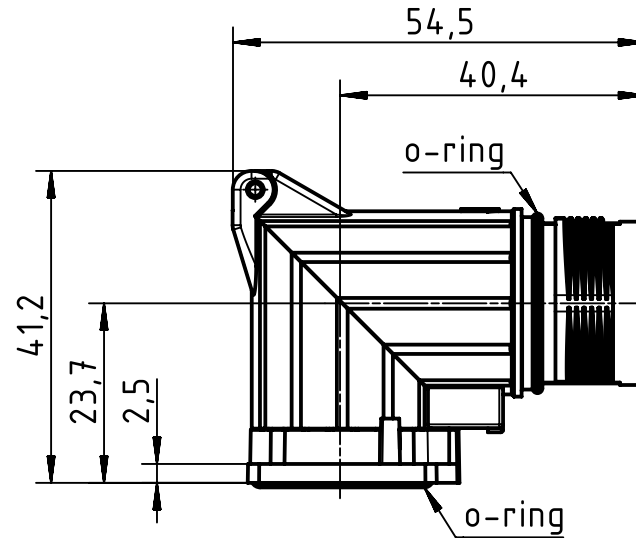
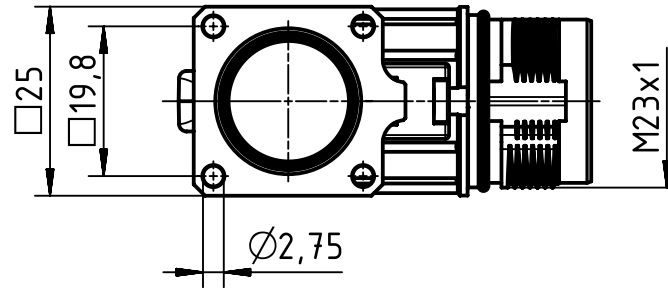
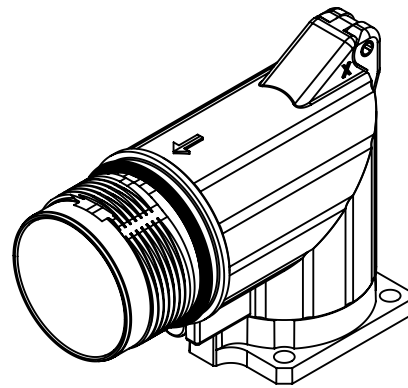
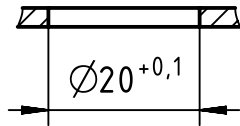
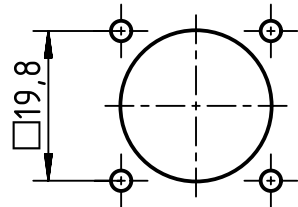
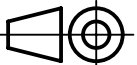



panel cut out



 All Dimensions in mm Original Size DIN A4		Scale 1:1	Free size tol.		Ref.
 All rights reserved Department EL PD - DE		Created by HELLMANN	Inspected by RIEPE	Standardisation TIEMANNA	Date 2017-09-12
HARTING Electric GmbH & Co. KG D-32339 Espelkamp		Title Han M23 P HBMA-rotatable 25x25 2,7mm			State Final Release
		Type TB	Number 09 15 600 0902		Doc-Key / ECM-Nr. 100736288/UGD/001/A 500000124813
				Rev. A	Page 1/1