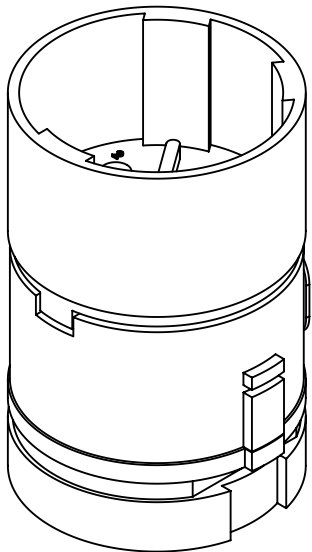
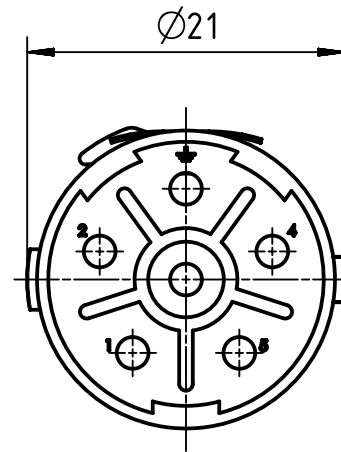
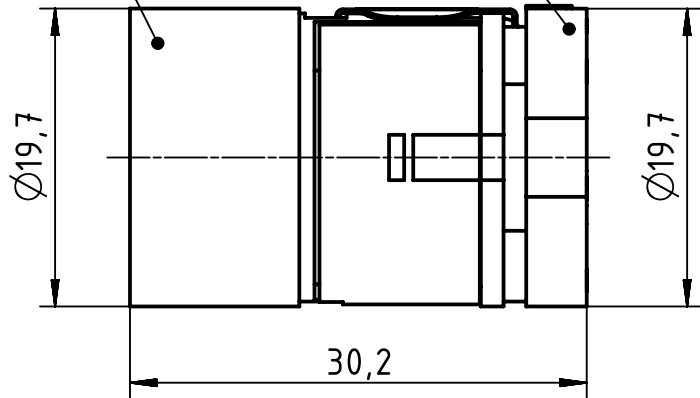
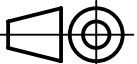



upper part, male

bottom part, male



 All Dimensions in mm Original Size DIN A4	Scale	Free size tol.			Ref.
	2:1				Sub.
 All rights reserved Department EL PD - DE	Created by	Inspected by	Standardisation	Date	State
	HELLMANN	RIEPE	TIEMANNA	2017-09-07	Final Release
HARTING Electric GmbH & Co. KG D-32339 Espelkamp	Title				Doc-Key / ECM-Nr.
	Han M23 P 5+PE Male -C				100736366/UGD/000/A 500000124805
Type		Number			Rev.
TB		09 15 606 3001			A
					Page
					1/1