

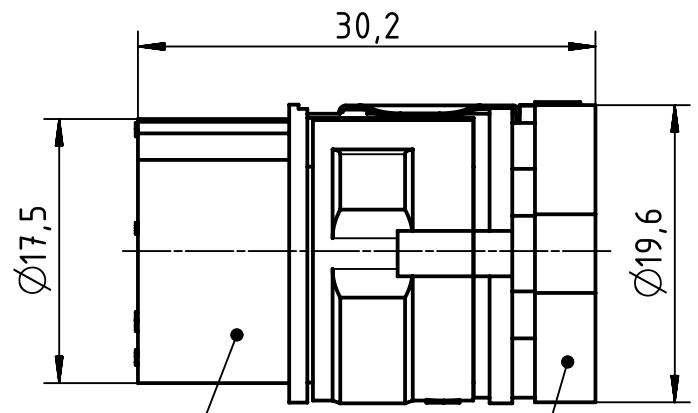
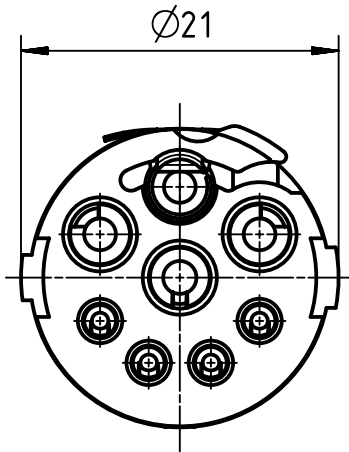
1 2 3 4 5 6

A

B

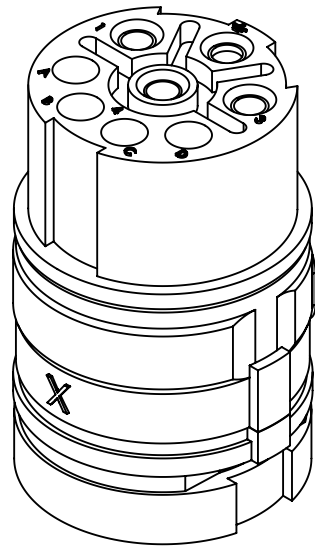
C

D



upper part, female

bottom part, female



	All Dimensions in mm Original Size DIN A4	Scale		Free size tol.		Ref.	
		2:1				Sub.	
	All rights reserved Department EL PD - DE	Created by	Inspected by	Standardisation	Date	State	
		HELLMANN	RIEPE	TIEMANNA	2017-09-07	Final Release	
HARTING Electric GmbH & Co. KG D-32339 Espelkamp		Title				Doc-Key / ECM-Nr.	
		Han M23 P 4+3+PE Female -C				100737272/UGD/000/A 500000124805	
		Type	Number		Rev.	Page	
		TB	09 15 608 3101		A	1/1	