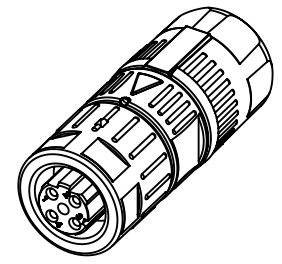
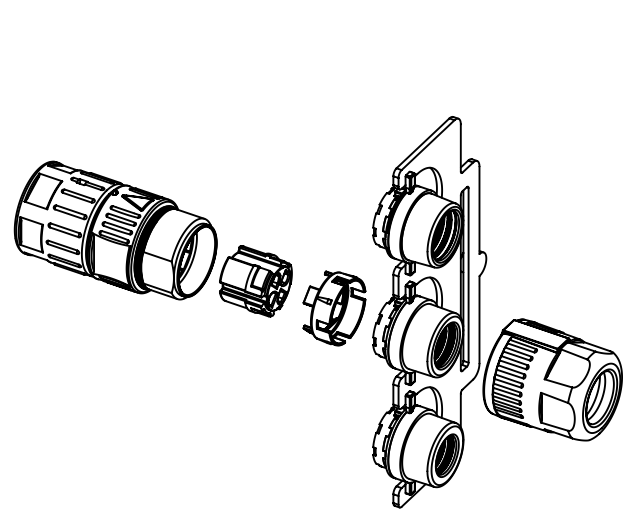
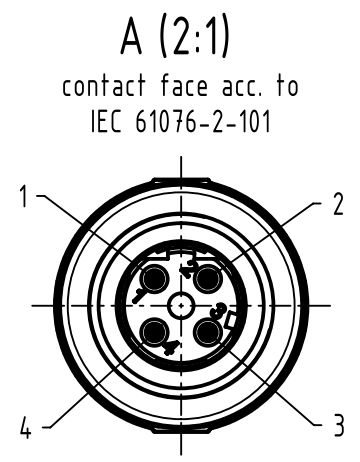
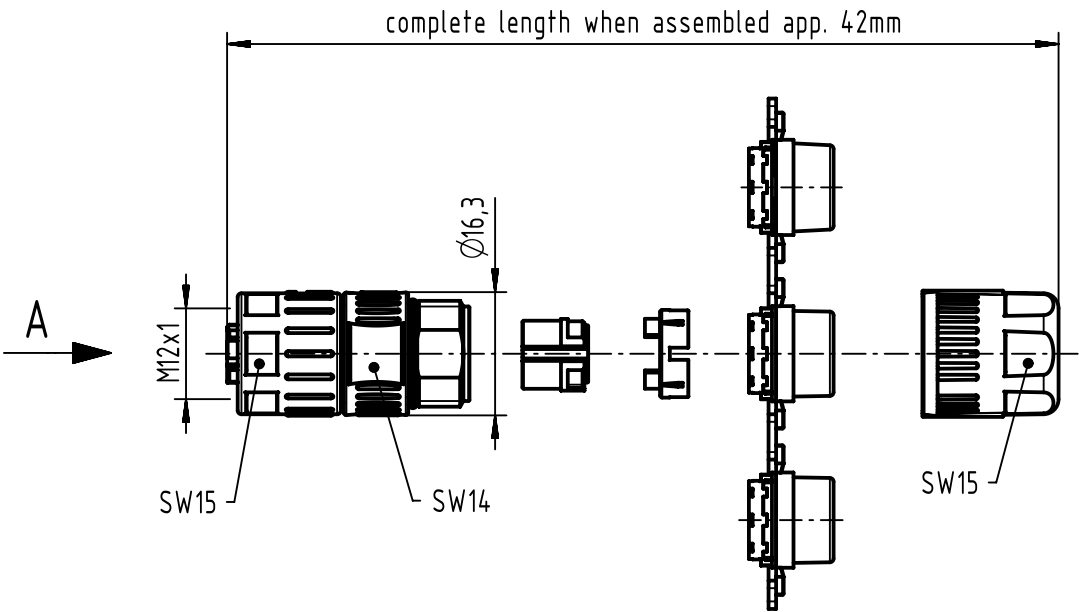



1 2 3 4 5 6



conductor cross section	AWG22
cable outside diameter	5.7 - 8.8mm

	All Dimensions in mm Original Size DIN A4	Scale	Free size tol.			Ref.
		1:1				Sub.
All rights reserved Department EC PD - DE	HARTING Electronics GmbH D-32339 Espelkamp	Created by	Inspected by	Standardisation	Date	State
		BUSSMANTT	GENAU	HOFFMANN	2017-05-04	Final Release
Title					Doc-Key / ECM-Nr.	
M12-SD-CC-IDC-4P-DCOD-F-STR-SHLD					100669882/UGD/001/C 500000118458	
Type		Number			Rev.	Page
TB		21033822400			C	1/1