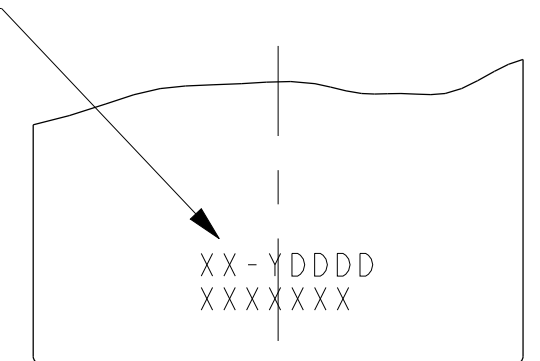
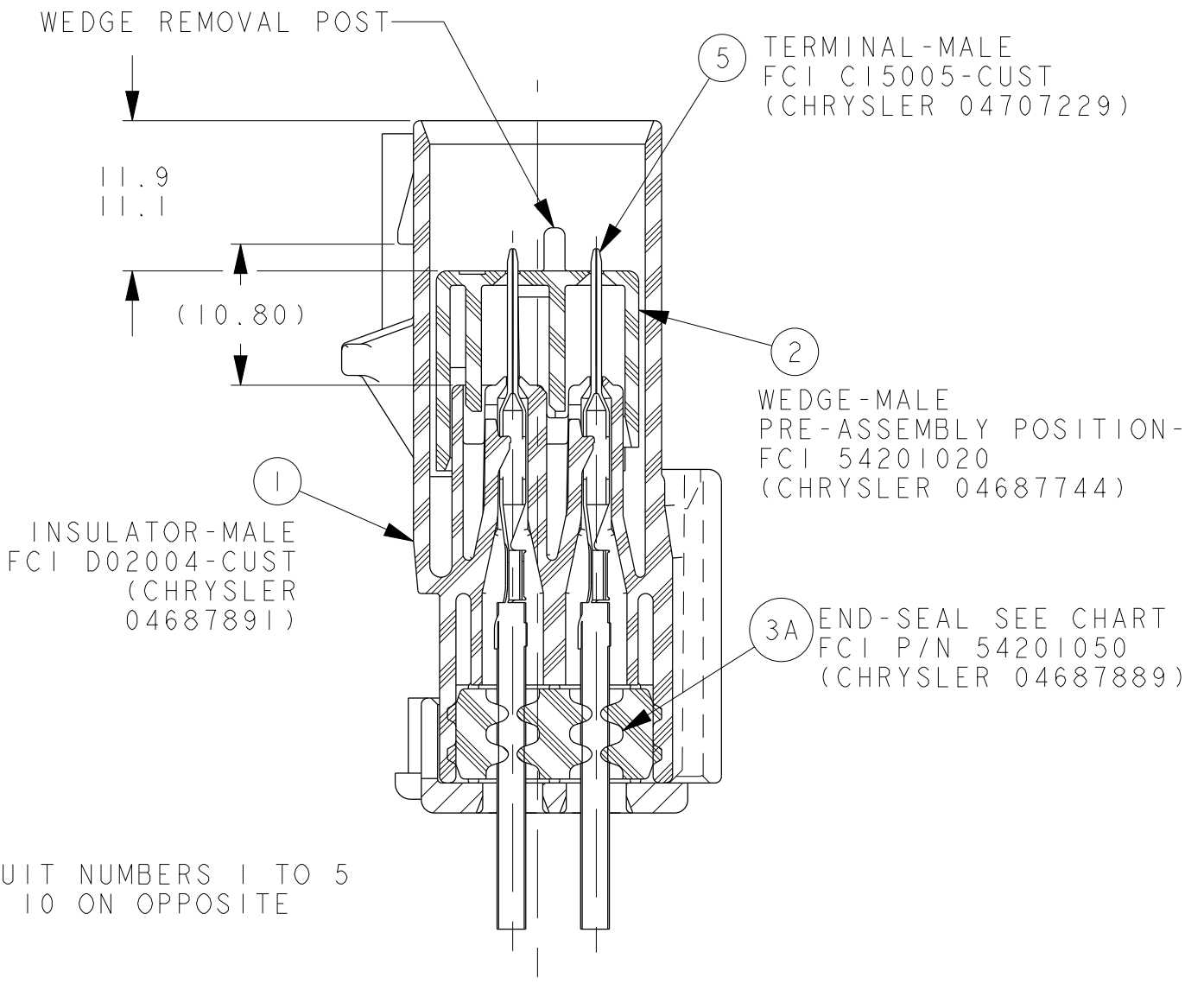
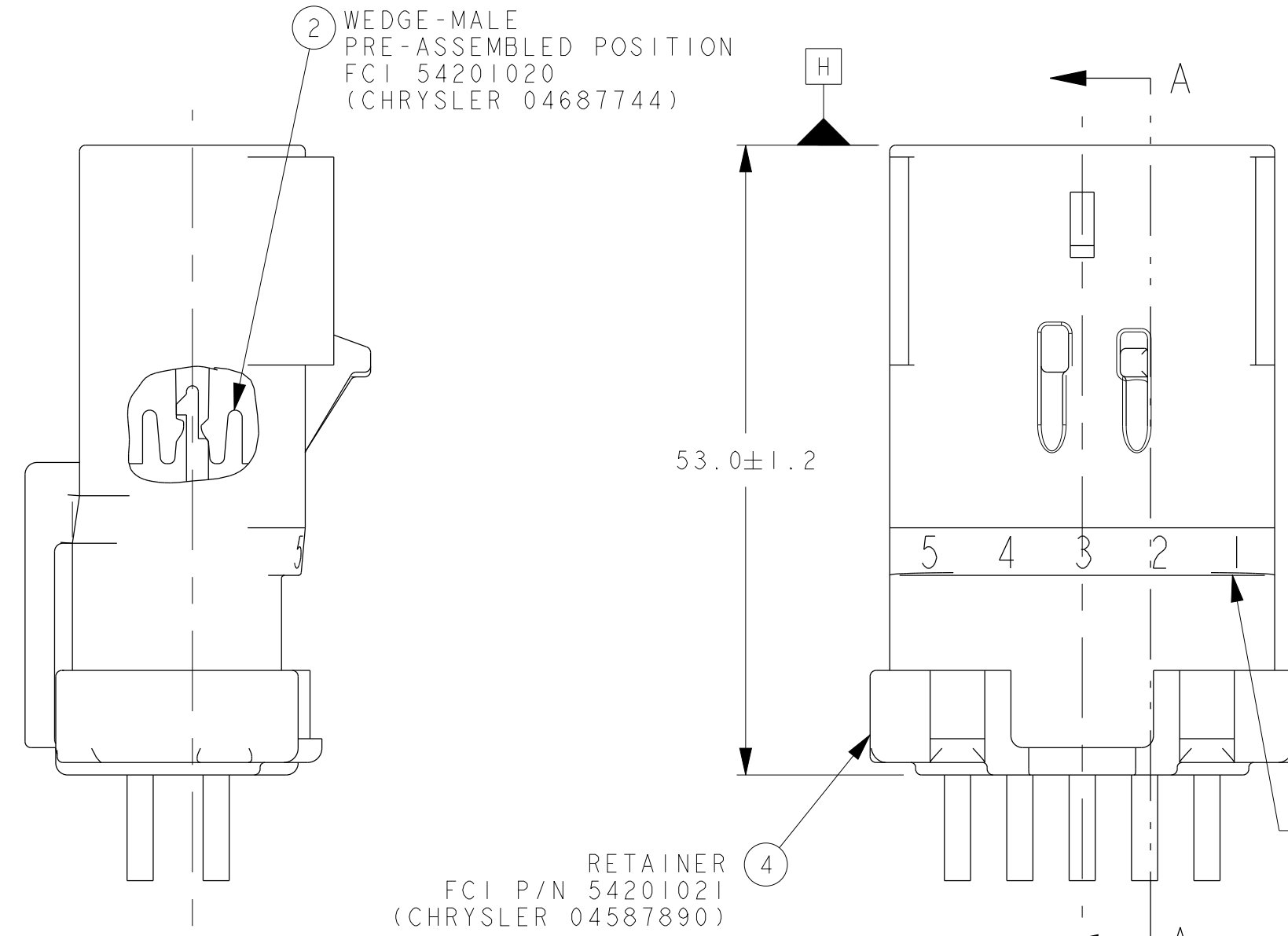
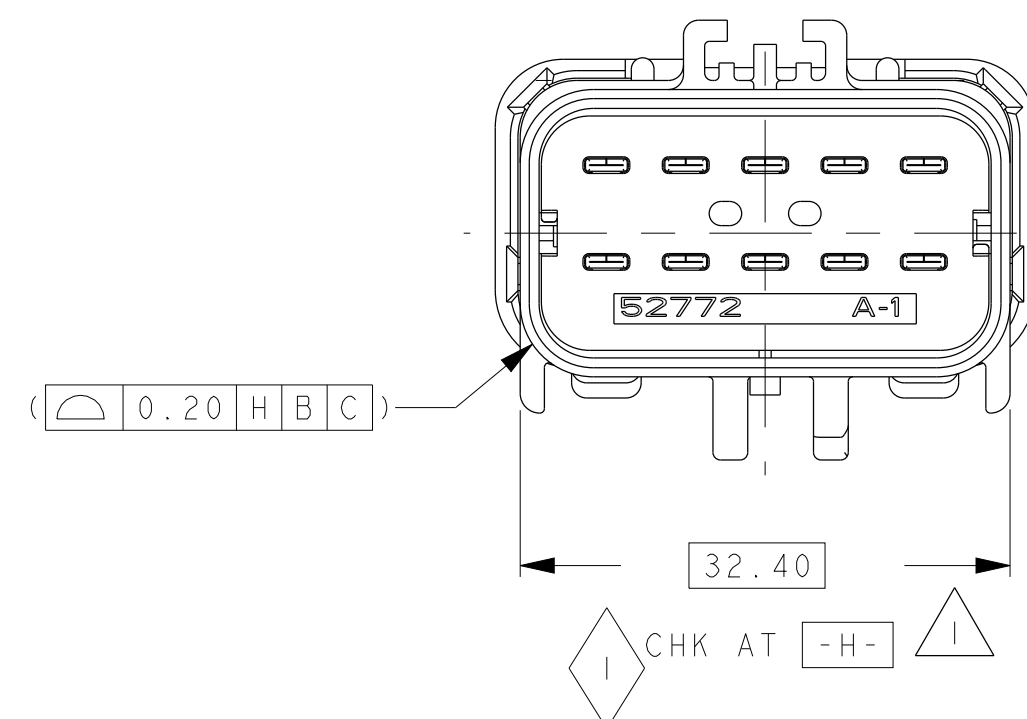


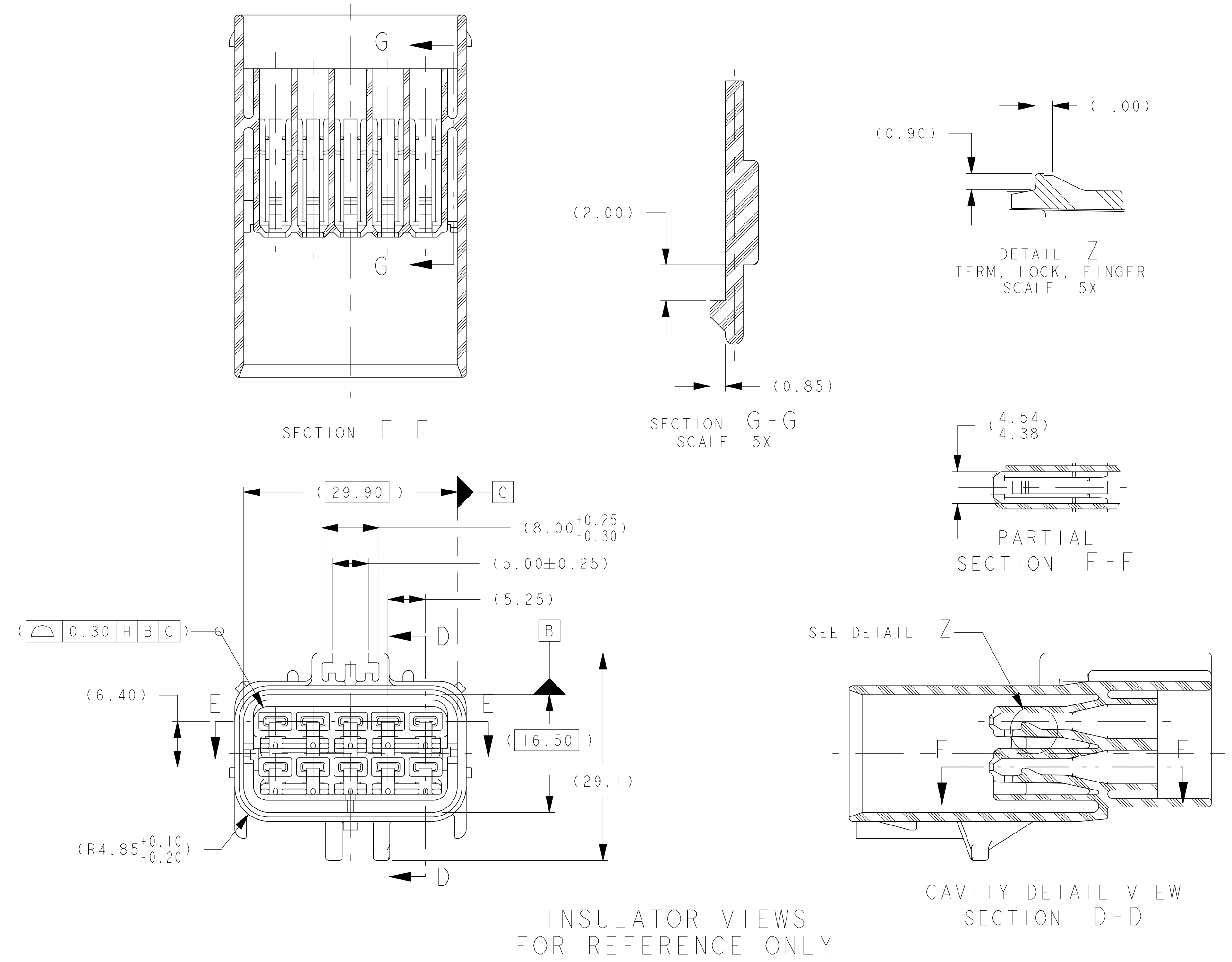
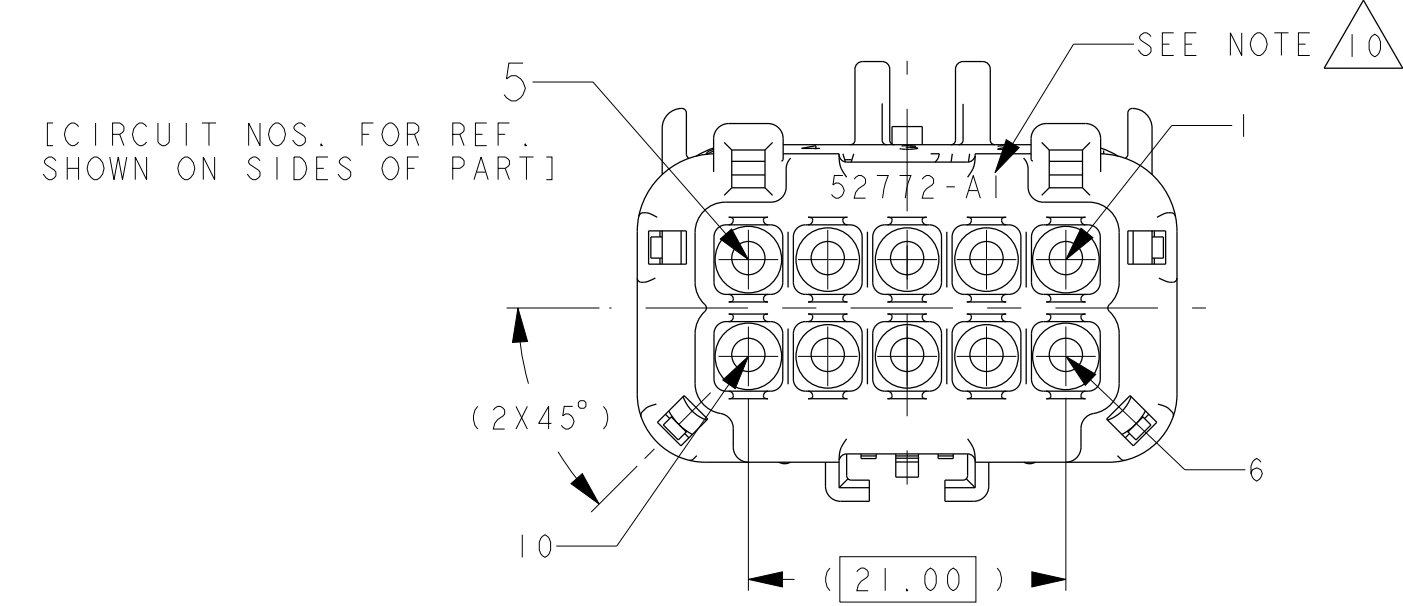
LAST 6 DIGITS OF P/N & PART CHANGE LEVEL (PCL), MFG. DAILY DATE CODE & ASSY MACHINE NO. LETTERING MUST BE LEGIBLE. OPTIONAL



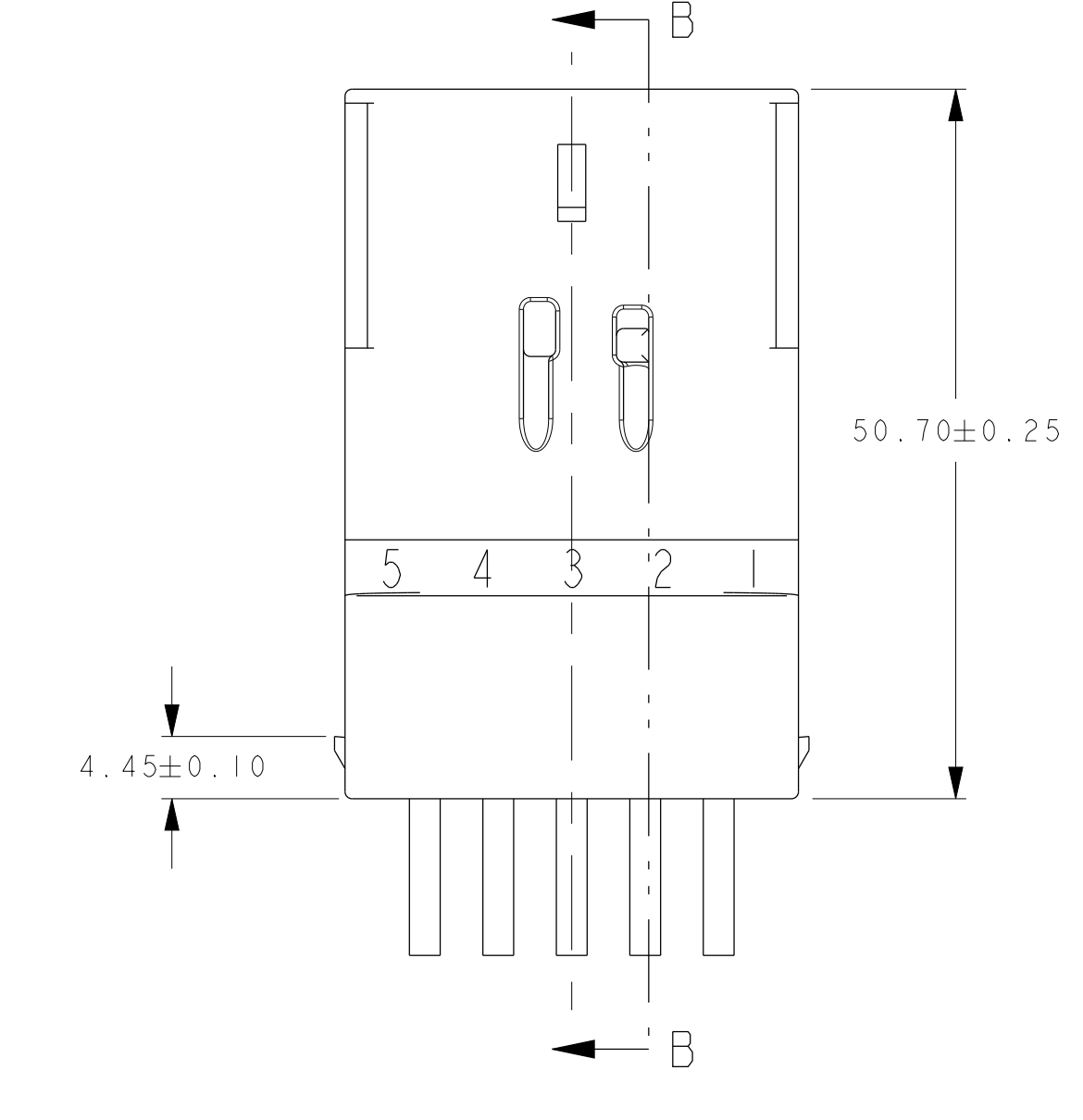
PARTIAL SIDE VIEW



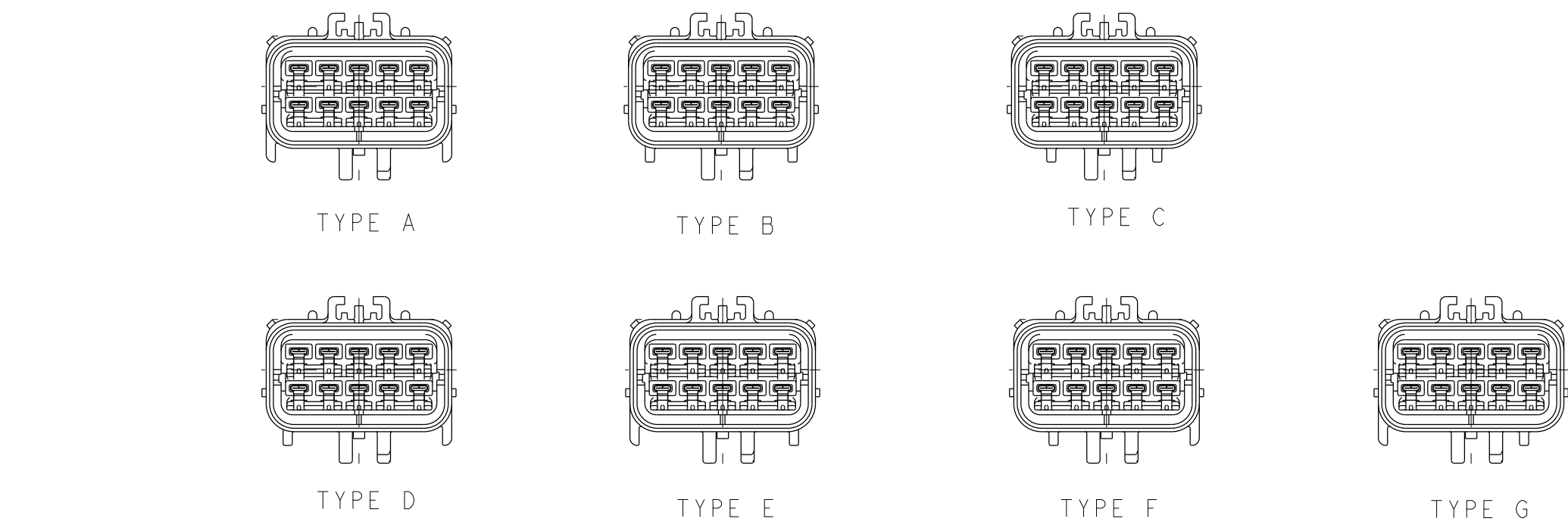
SECTION A-A SEALED ASSEMBLY VIEW SEE PART NUMBER CHART



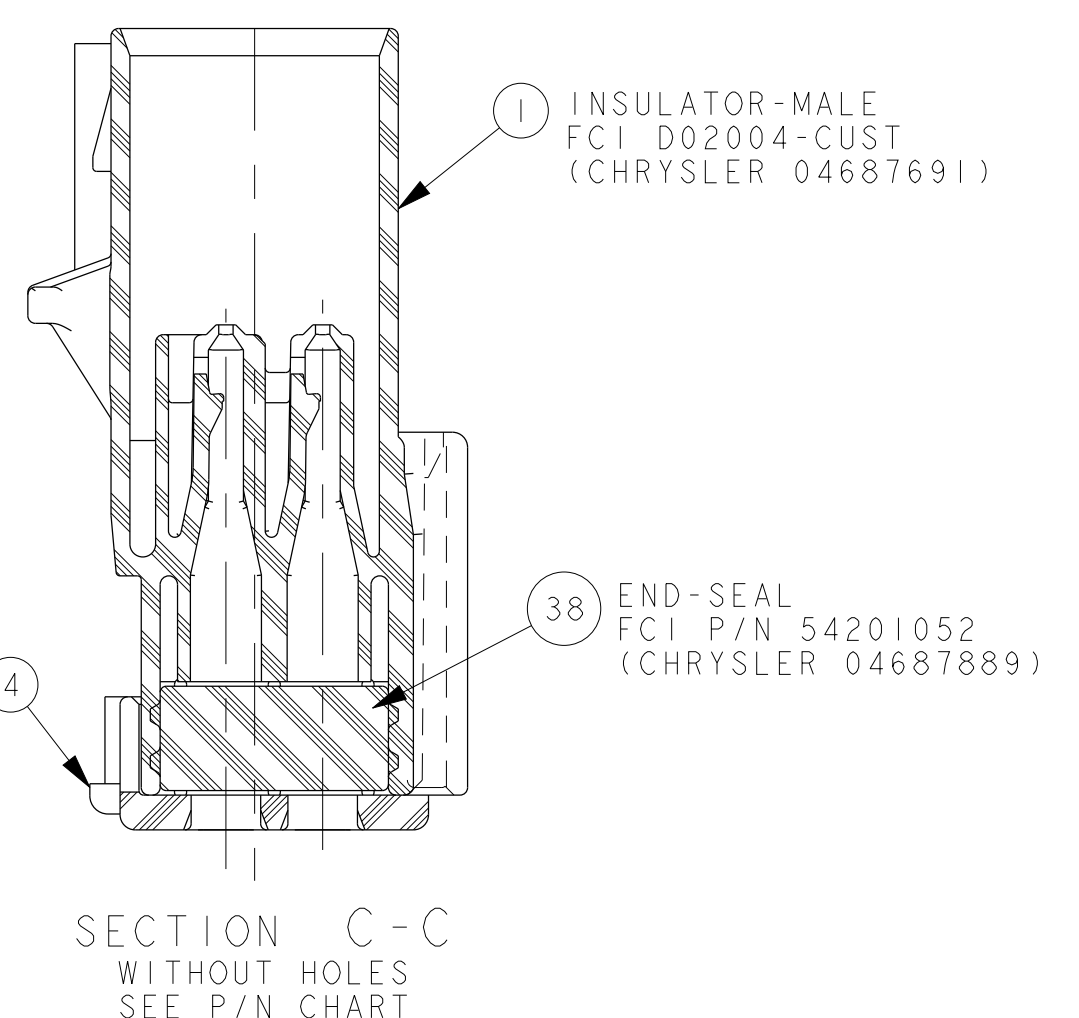
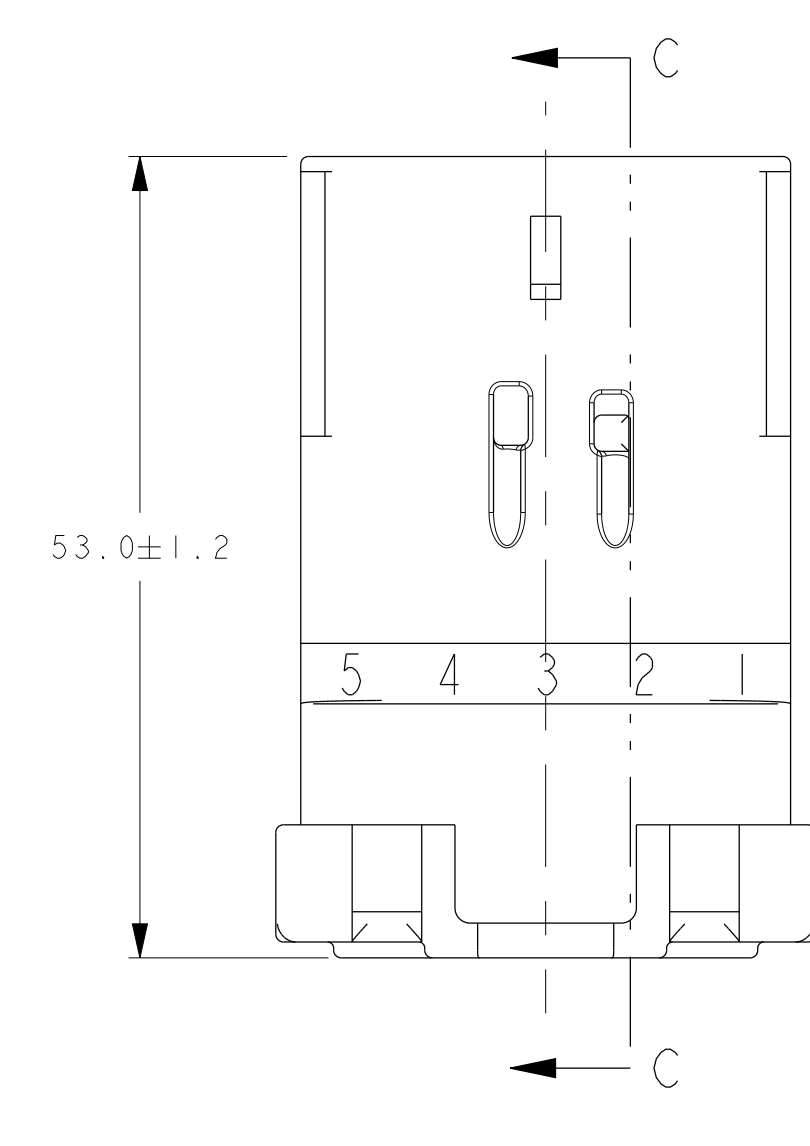
INSULATOR VIEWS FOR REFERENCE ONLY



SECTION B-B UNSEALED ASSEMBLY VIEW SEE PART NUMBER CHART



POLARIZATION OPTIONS FULL SIZE



SECTION C-C WITHOUT HOLES SEE P/N CHART

- NOTES:
- 1 QUALITY ASSURANCE REQUIREMENTS PER CHRYSLER PS-7300: 1 SPC DATA REQUIRED
 - 2 ENGINEERING APPROVAL OF SUPPLIER SAMPLES IS REQUIRED PRIOR TO AUTHORIZATION OF PART PRODUCTION
 - 3 CHANGES IN DESIGN COMPOSITION OR PROCESSING FROM THE PART PREVIOUSLY APPROVED FOR PART PRODUCTION REQUIRES PRIOR ENGINEERING APPROVAL
 - 4 WIRING FABRICATORS MUST PURCHASE FROM SOURCES SHOWN
 - 5 ALL THE SEALED CONNECTOR APPLICATIONS MUST BE USED WITH CHRYSLER WIRE SPEC. MS-8288 OR MS-9502 THIN WALL X-LINK 20, 18, 16, 14, & 12 GAGE WIRES ONLY UNLESS OTHERWISE SPECIFIED (WIRE INSULATIONS Ø1.70 MIN TO Ø3.35 MAX) ISO THINWALL EQUIVALENTS PERMISSIBLE
 - 6 ALL NON-SEALED APPLICATIONS MAY BE USED WITH ANY WIRE INSULATION 22 GAGE THRU 10 GAGE (EXCEPT AS NOTED) PROVIDING THAT A TERMINAL GRIP FOR THAT CORE/INSULATION COMBINATION IS SHOWN ON THE MALE TERMINAL DRAWING ISO THINWALL EQUIVALENTS PERMISSIBLE
 - MAX. INSULATION CRIMP WIDTH = 4.50
 - MAX. INSULATION CRIMP HEIGHT = 4.50
 - MAX. INSULATION DIA. = 4.09 (10 GA THIN WALL)
 - 7 USE WITH FOLLOWING APPLICABLE COMPONENTS AS NOTED: CAVITY PLUS FCI P/N 54200005 (CHRYSLER P/N 56038308) DOUBLE X-MAS TREE CLIP CHRYSLER P/N 04707091 SINGLE X-MAS TREE CLIP CHRYSLER P/N 04625797 DOUBLE X-MAS TREE CLIP WITH FORWARD STOP FCI P/N 54200010 2.80MM APEX MALE TERM C15005-CUST SYM. ABOUT CENTERLINE FOR 180° ORIENTATION
 - 8 DIRECT CONNECT INTERFACE PER FCI G3610 (CHRYSLER 04707028)
 - 9 TEST METHOD PER CHRYSLER PERFORMANCE SPEC# PF-9600, CONNECTOR ENGAGE & DISENGAGE WITH LATCH DEPRESSED FORCE NOT TO EXCEED 120N. FOR THIS SYSTEM
 - WEDGE SEATING FORCES - 100 N. MAX
 - X-MAS TREE CLIP INSERTION FORCES - 75 N. MAX
 - 10 SUPPLIER, MOLD & CAVITY I.D. SIGNIFIES TOOL OWNERSHIP, FOR REFERENCE
 - 11 ANNUAL QUALITY REQUIREMENTS: IT IS PERMISSIBLE TO PERFORM ANNUAL CONTINUOUS CONFORMANCE PER FCI SPECIFICATION 80A0-001 INSTEAD OF ANNUAL LAYOUT & ANNUAL PV REQUIREMENTS OF QS-9000 SECTION 2 & SAE/USCAR-2 REV 5
 - ALL NON-REFERENCE DIMENSIONS ARE REQUIRED
 - USE INDEX A, BLACK SEALED AND UNSEALED FOR ALL AFFECTED INSULATOR CAVITIES
 - CURRENT PRODUCTION TOOLING
 - POINT OF LAST RUN
 - SERVICE TOOLING GUIDE INFORMATION PER APEX TRAINING MANUAL
 - 12 MUST CONFORM TO THE FOLLOWING CHRYSLER /YNA STANDARDS:
 - PF-9600 PERFORMANCE (CHRYSLER) EXCEPT AS NOTED ABOVE
 - PS-7300 QUALITY ASSURANCE (CHRYSLER)
 - MS-9502 SEAL APPL. 150° C
 - MS-8288 SEDL APPL. 125° C
 - PS-9227 DATA EXCHANGE (CHRYSLER), (GD09-7 YNA)
 - PS-10052 INFORMATION SECURITY (CHRYSLER)
 - 13 THIS DRAWING (H59015) REPLACES CHRYSLER DRAWING 04687873 LEVEL "N" CHRYSLER DRAWING NUMBER IS FOR REFERENCE ONLY (NOT AVAILABLE)

MATING PART NUMBERS CHART

INDEX TYPE	COLOR	SEALED/UNSEALED	FCI (CHRYSLER)	YNA	FCI (CHRYSLER)	YNA	MATING ASSEMBLY PART NUMBER FOR REFERENCE ONLY	
G	LT BROWN	SEALED	54201042	N/A	N/A	54201043N	N/A	
		SEALED	54201042	04868047AA	N/A	54201043	04868049AA	
		SEALED	DIRECT CONNECT APPLICATION		*54201063	N/A	N/A	
F	AQUA	UNSEALED	DIRECT CONNECT APPLICATION		54201005M	N/A	N/A	
		UNSEALED	DIRECT CONNECT APPLICATION		54201005	04687905	7283-4809-90	
		SEALED	DIRECT CONNECT APPLICATION		54201015N	N/A	N/A	
E	DK GRN	SEALED	DIRECT CONNECT APPLICATION		54201015	04687899	7283-4806-90	
		UNSEALED	DIRECT CONNECT APPLICATION		54201003N	N/A	N/A	
		UNSEALED	DIRECT CONNECT APPLICATION		54201003	04687904	7283-4808-60	
D	ORANGE	SEALED	DIRECT CONNECT APPLICATION		54201013N	N/A	N/A	
		SEALED	DIRECT CONNECT APPLICATION		54201013	04687898	7283-4805-60	
		UNSEALED	DIRECT CONNECT APPLICATION		54201004N	N/A	N/A	
C	DK GREY	UNSEALED	DIRECT CONNECT APPLICATION		54201004	04687903	7283-4807-50	
		SEALED	DIRECT CONNECT APPLICATION		54201014N	N/A	N/A	
		SEALED	DIRECT CONNECT APPLICATION		54201014	04687897	7283-4804-50	
B	LT GREY	SEALED	DIRECT CONNECT APPLICATION		54201011N	N/A	N/A	
		SEALED	DIRECT CONNECT APPLICATION		54201011	04801117	7229-2829-40	
		SEALED	DIRECT CONNECT APPLICATION		*54201023N	N/A	N/A	
A	BLACK	SEALED	DIRECT CONNECT APPLICATION		*54201023	04801112	7223-1609-40	
		UNSEALED	54201008	N/A	N/A	54201002N	N/A	
		UNSEALED	54201008	04687911	7222-1009-60	54201002	04687902	7223-1109-60
INDEX TYPE	COLOR	SEALED	54201018	N/A	N/A	54201012N	N/A	
		SEALED	54201018	04687908	N/A	54201012	04687896	7283-4803-60
		SEALED	DIRECT CONNECT APPLICATION		*54201062	N/A	N/A	
INDEX TYPE	COLOR	UNSEALED	54201007	N/A	N/A	54201001N	N/A	
		UNSEALED	54201007	04687910	N/A	54201001	04687901	7283-4802-40
		SEALED	54201017	N/A	N/A	54201010N	N/A	N/A
INDEX TYPE	COLOR	SEALED	54201017	04687907	7282-4605-40	54201010	04687895	7283-4605-40
		SEALED	54201024	04688875	N/A	54201010	04687895	7283-4605-40
		UNSEALED	54201006	N/A	N/A	54201000N	N/A	N/A
INDEX TYPE	COLOR	UNSEALED	54201006	04687909	N/A	54201000	04687900	7283-4606-30
		SEALED	54201016	04687906	7222-7406-30	54201009	04687894	7223-1605-30
		SEALED	54201016	04687906	7222-7406-30	*54201022N	04707443	7283-4801-30
INDEX TYPE	COLOR	SEALED	54201016	04687906	7222-7406-30	*54201054	04759589AA	7283-4901-30
		SEALED	54201058	56045040AA	N/A	*54201054	04759589AA	7283-4901-30
		SEALED	54201016	04687906	7222-7406-30	54201056N	N/A	7283-4608-30
INDEX TYPE	COLOR	SEALED	DIRECT CONNECT APPLICATION		54201051N	04707404	N/A	
		SEALED	DIRECT CONNECT APPLICATION		54201051	04707404	N/A	

ASSEMBLY PART NUMBERS CHART

UNSEALED		SEALED		YNA P/N'S		FCI P/N'S		CHRYSLER P/N'S	
54201006	04687909	54201007	04687910	54201008	04687911	54201009	04687912	54201010	04687913
54201011	04687906	54201012	04687907	54201013	04687908	54201014	04687909	54201015	04687910
54201016	04687906	54201017	04687907	54201018	04687908	54201019	04687909	54201020	04687910
54201024	04688875	54201025	04688876	54201026	04688877	54201027	04688878	54201028	04688879
54201058	56045040AA	54201059	56045040AB	54201060	56045040AC	54201061	56045040AD	54201062	56045040AE

REQUIRED	REQUIRED	CHRYSLER P/N'S	FCI P/N	PART NAME; MATERIAL; COLOR
1	1	04687754	54201034	INSULATOR INDEX A; PA66GF; BLK
1	1	04687969	54201035	INSULATOR INDEX B; PA66GF; LT GRY
1	1	04687970	54201036	INSULATOR INDEX C; PA66GF; DK GRY
1	1	04868046AA	54201040	INSULATOR INDEX D; PA66GF; NATURAL
1	1	04687744	54201020	WEDGE (TPA); PA66GF; RED
1	1	04687963	54201050	END SEAL; SILICONE; DK BLUE
1	1	N/A	54201052	END SEAL NO HOLES; SILICONE; BRT YLO
1	1	04687750	54201021	RETAINER; PA66GF BLK

CONNECTOR ASSEMBLY TEMPERATURE CLASS PER SAE/USCAR-2 REV 5

12-00659	ALL	REVISED & REDRAWN IN PDS. SEE REV Q1 FOR PREVIOUS CHANGES NOTES AND ASSEMBLY P/N CHARTS UPDATED
REVISED	12-00659	ALL
DATE	BY	REASON
12/15/15