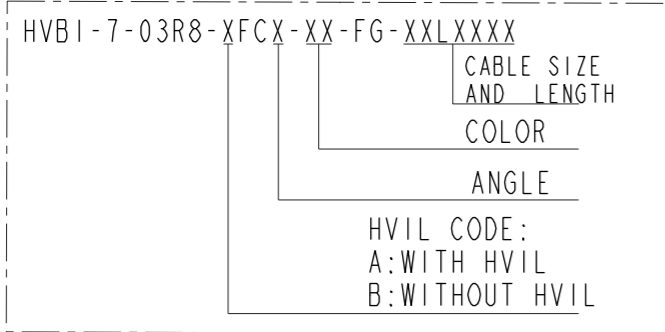
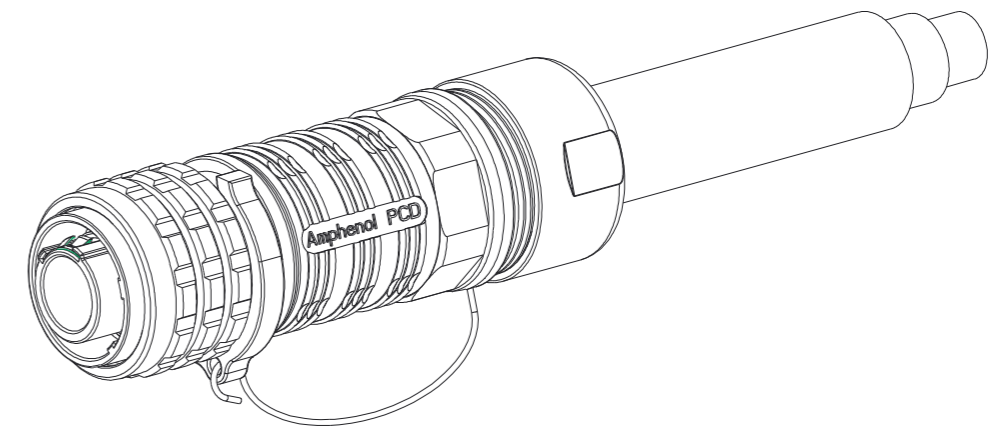
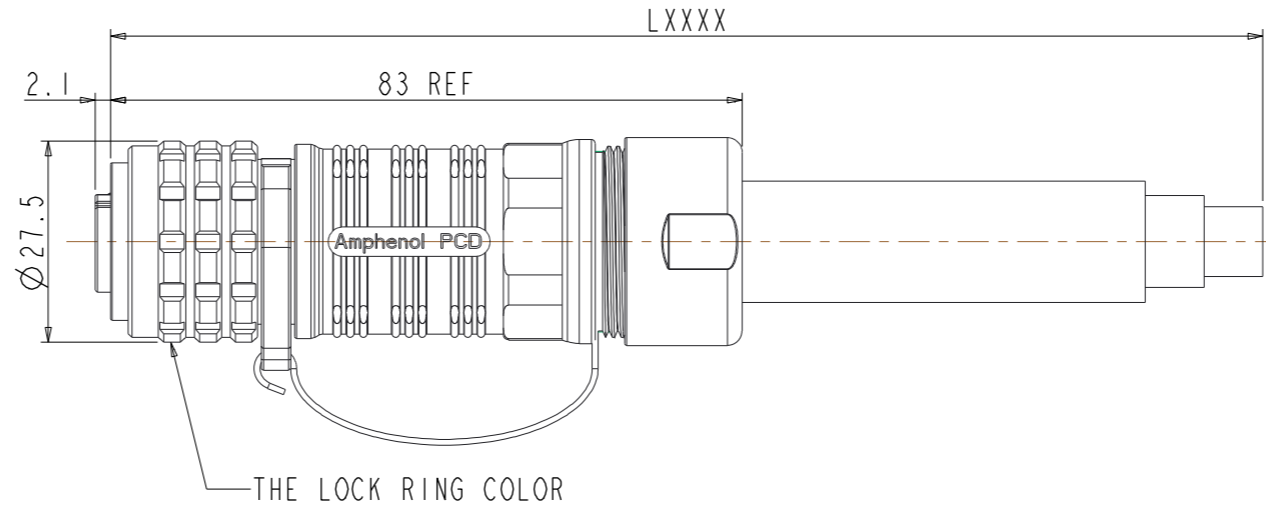
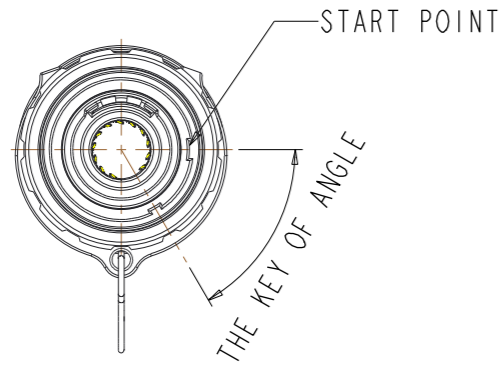


REV	ECN	DESCRIPTION	DATE	MODIFIED
3		PRE-RELEASE	2016.06.08	ROY.QU

CUSTOMER DRAWING



SCOPE OF CABLE OUTSIDE DIAMETER	
SIZE	OUTSIDE DIAMETER
50MM ² WITH SHIELD	16.0~17.5 MM
35MM ² WITH SHIELD	13.5~15.2 MM

WIHT HVIL		
P/N	DESCRIPTION	
	KEY OF ANGLE	LOCK RING COLOR
HVBI-703R8-AFCA-RD-FG-50L0000	30°	RED
HVBI-703R8-AFCB-BK-FG-50L0000	60°	BLACK
HVBI-703R8-AFCC-YL-FG-50L0000	90°	YELLOW
HVBI-703R8-AFCD-GR-FG-50L0000	120°	GREEN
HVBI-703R8-AFCE-BL-FG-50L0000	150°	BLUE
HVBI-703R8-AFCF-PU-FG-50L0000	180°	PURPLE

WIHTOUT HVIL		
P/N	DESCRIPTION	
	KEY OF ANGLE	LOCK RING COLOR
HVBI-703R8-BFCA-RD-FG-50L0000	30°	RED
HVBI-703R8-BFCB-BK-FG-50L0000	60°	BLACK
HVBI-703R8-BFCC-YL-FG-50L0000	90°	YELLOW
HVBI-703R8-BFCD-GR-FG-50L0000	120°	GREEN
HVBI-703R8-BFCE-BL-FG-50L0000	150°	BLUE
HVBI-703R8-BFCF-PU-FG-50L0000	180°	PURPLE

TECHNICAL DATA	
CURRENT RATE(50MM ² CABLE)	UP TO 180A
CURRENT RATE(35MM ² CABLE)	UP TO 150A
UL RATING VOLTAGE (OVERVOLTAGE CATEGORY II POLLUTION DEGREE 2)	1000V DC
OPERATING TEMPERATURE	-40~125°C
DIELECTRIC WITHSTANDING VOLTAGE	3000V AC
INSULATION RESISTANCE	2000MΩ MIN. 25°C, NO CABLE
DURABILITY	200 CYCLES
SHIELDING	YES
WATERPROOF(MATED CONDITION)	IP 67
PROTECTION LEVEL	IP2XB
AMBIENT TEMPERATURE	-40~70°C

DIMENSIONS	TOLERANCES	PROJECTION	TITLE	
ANSI Y14.5M UNITS: MM Pro/E FILE	X ±0.3 .XX ±0.20 ANGLES ±0.5°		Amphenol Pcd Shenzhen	
ORIGINAL NOT FOR CUSTOMER DISTRIBUTION	THIS DOCUMENT CONTAINS PROPRIETARY INFORMATION WHICH IS THE CONFIDENTIAL PROPERTY OF AMPHENOL PCD SHENZHEN		ENGR ROY.QU	2016.06.08
			CHKD	
			APPD	
			SIZE A3	DWG NO. HVBI-7-03R8-XFCX-XX-FGXXLXXXX
			REV 3	
			CODE: 58982	SCALE: 2:1 SHEET 1 OF 1

HVBI-7-03R8-XFCX-XX-FGXXLXXXX

HVBI-7-03R8-XFCX-XX-FGXXLXXXX