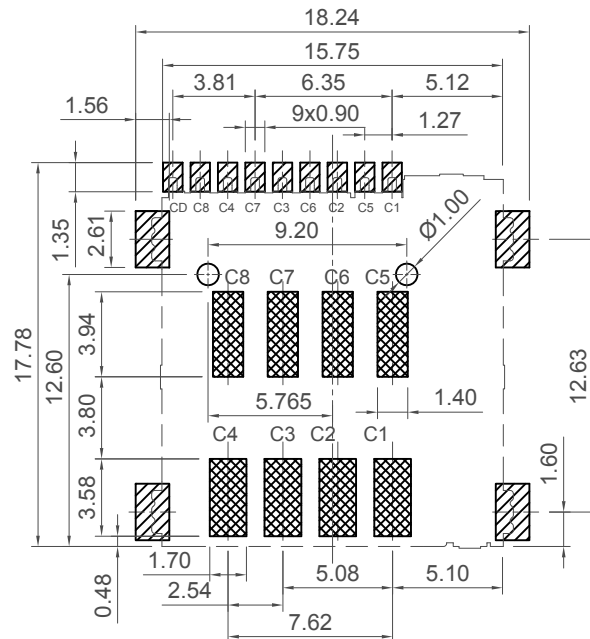
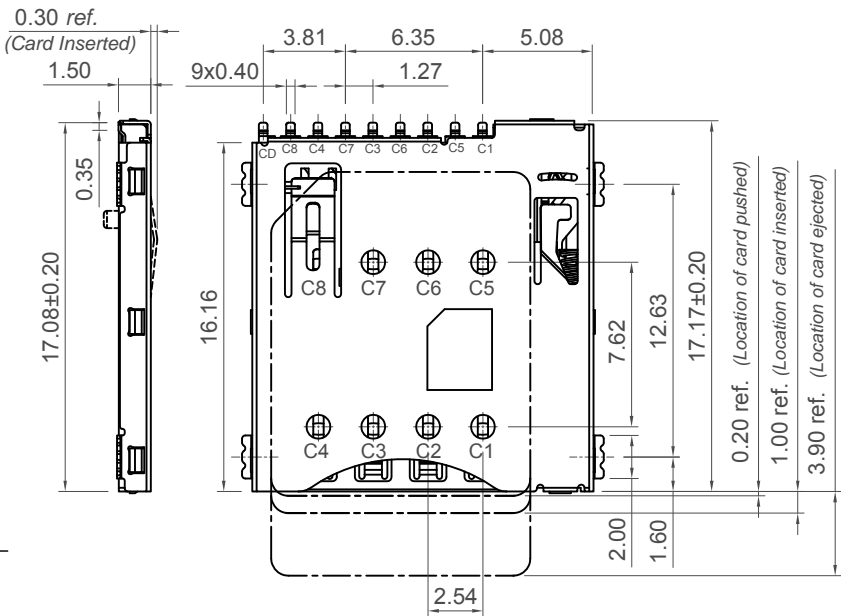
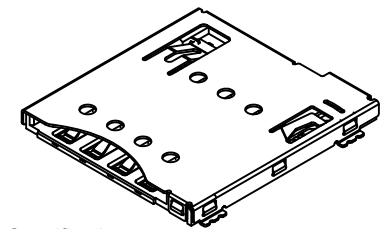
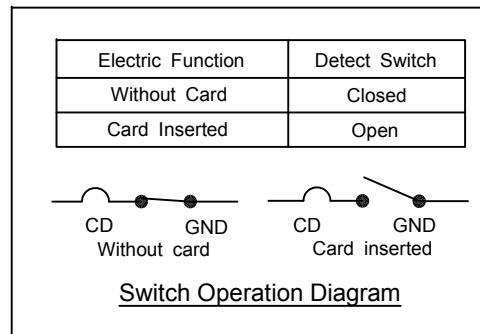
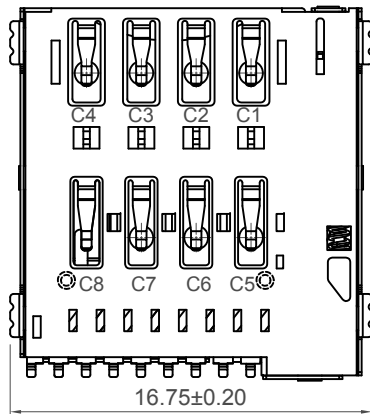
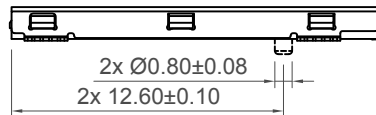
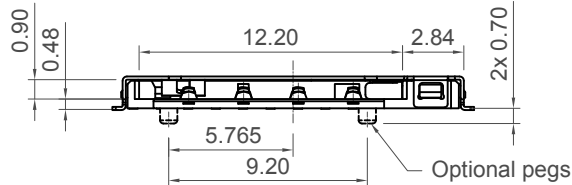


All elements marked as C4 and C8 apply only to 8 contact version.



Recommended PCB Layout  
General Tolerance ±0.05

Locating peg holes only applicable to locating peg version  
 Solder Area Keep Out Area Component Outline



Specification:

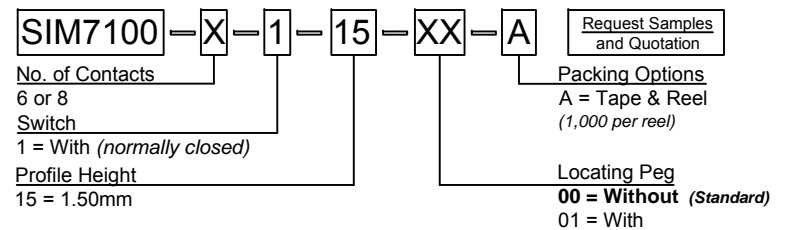
Material:  
 Plastic Housing:  
 Thermoplastic, UL94V-0, Black  
 Contact Terminal & Card Detection Switch :  
 Phosphor Bronze  
 Shell, Slider & Cam Pin: Stainless Steel  
 Coil Spring: SWP (steel)

Plating:  
 Contact Terminal:  
 Contact Area: 3µ" Gold  
 Solder area: Gold Flash  
 Underplating: Ni overall 50µ" min.  
 Shell: Ni overall, 30µ" min.  
 Solder area: Gold Flash

Electrical:  
 Voltage Rating: 50V max.  
 Current Rating: 1A max.  
 Dielectric Withstanding: 500V AC  
 Insulation Resistance: 1000 MΩ min.  
 Contact Resistance: 100 mΩ max. (signal)  
 300 mΩ max. (switch)

Mechanical:  
 Duration: 1500 cycles  
 Operating Temperature: -40°C to +85°C

Ordering Grid



Part Number		Product Description	
SIM7100		Micro SIM Card Connector - Push-Push Type	
Drawing Date		12th September 2014	
By	CC	Tolerances (Except as Noted)	Units:
Detail	SIM7100 B PCN	Length X. ± 0.35 X.X ± 0.25 X.XX ± 0.15 X.XXX ± 0.10	Metric (mm)
Revision	B	Angle X° ± 5° X.X° ± 4° X.XX° ± 3° X.XXX° ± 2°	
Date	18/04/18		



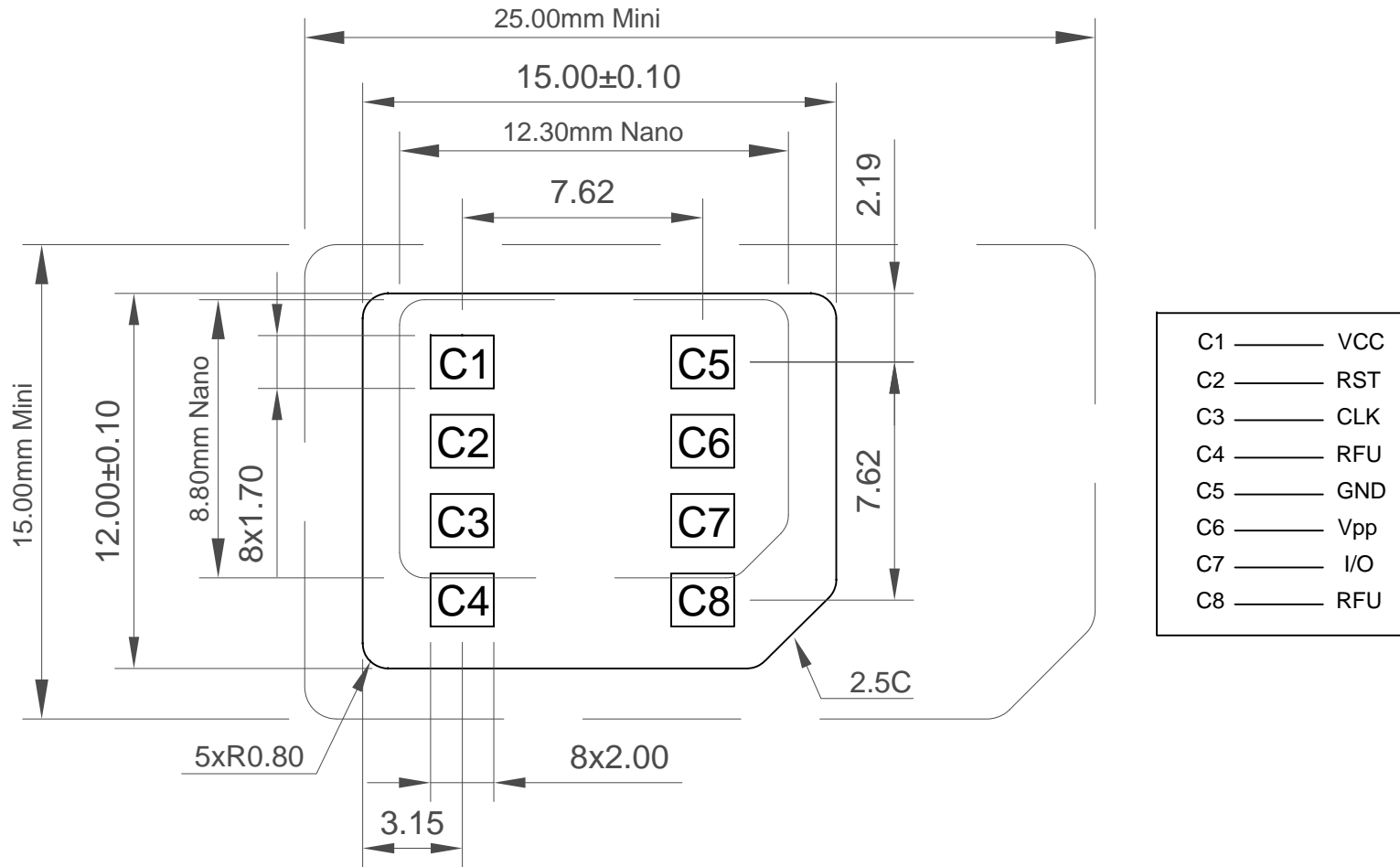
This drawing is confidential and copyright of Global Connector Technology, Ltd (GCT). This drawing must not be copied or disclosed without written consent. E & OE







Not to Scale	Drawn By AJO	Sheet No. 1/3
--------------	--------------	---------------

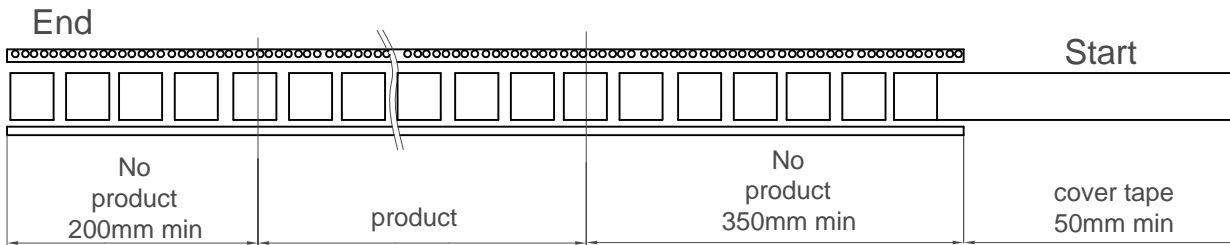
# Micro SIM Reference

thickness =  $0.76 \pm 0.08$

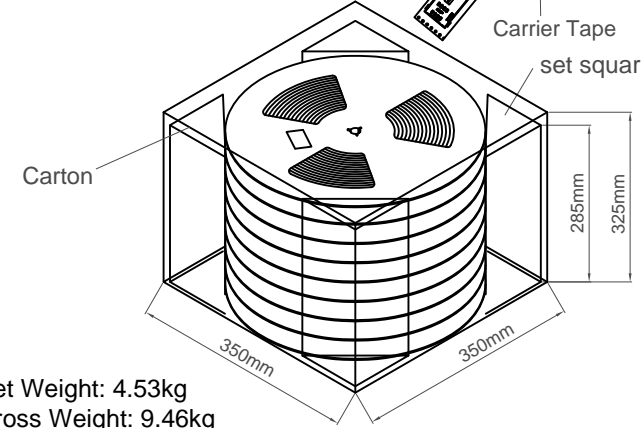
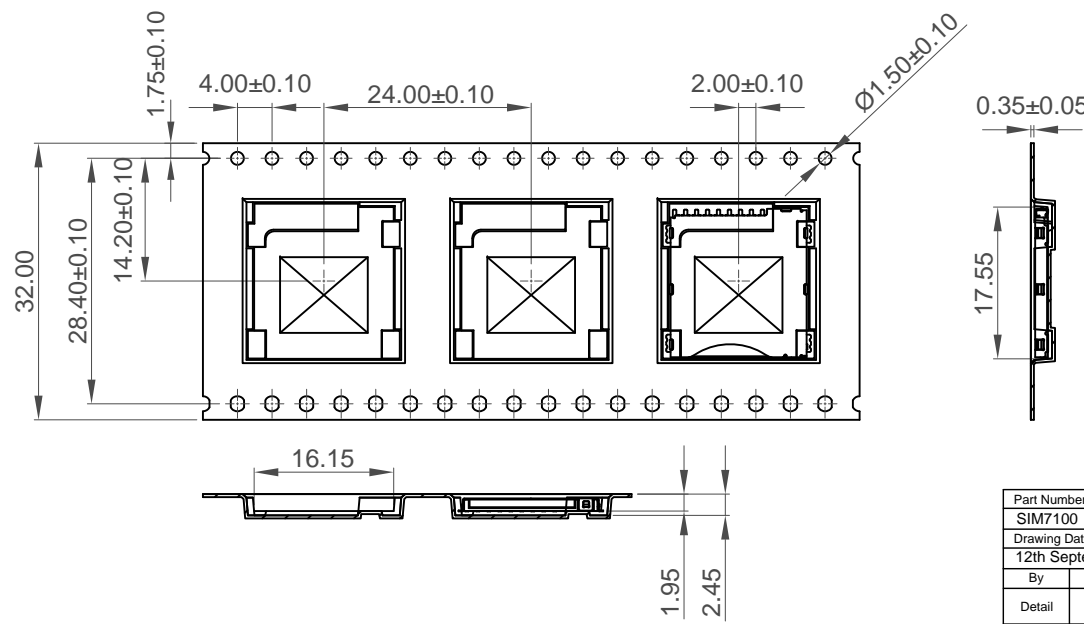
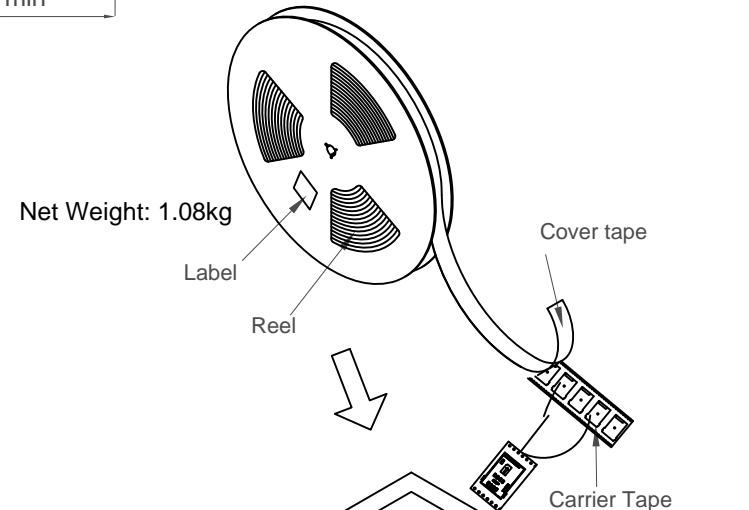
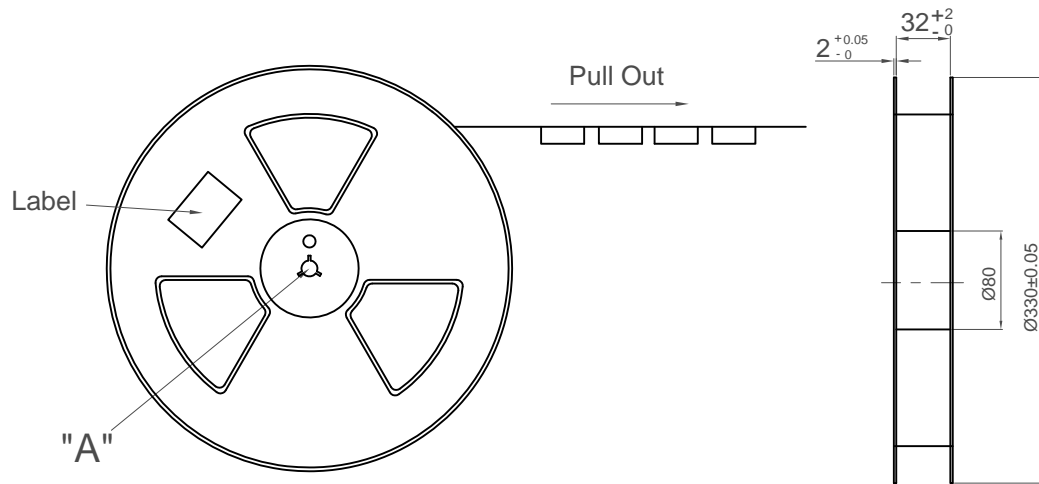


C1	VCC
C2	RST
C3	CLK
C4	RFU
C5	GND
C6	Vpp
C7	I/O
C8	RFU

Part Number		Product Description		 www.gct.co
SIM7100		Micro SIM Card Connector - Push-Push Type		
Drawing Date		6 or 8 Pin, SMT, 1.50mm Profile		
12th September 2014				
By	CC	Tolerances (Except as Noted)	Units:	This drawing is confidential and copyright of Global Connector Technology, Ltd (GCT). This drawing must not be copied or disclosed without written consent. E & OE
Detail	SIM7100 B PCN	Length X. ± 0.35 X.X ± 0.25 X.XX ± 0.15 X.XXX ± 0.10	Metric (mm)	
Revision	B	Angle X.° ± 5° X.X° ± 4° X.XX° ± 3° X.XXX° ± 2°	 3rd Angle Projection	
Date	18/04/18		 Deca-BDE	
		 This drawing is confidential and copyright of Global Connector Technology, Ltd (GCT). This drawing must not be copied or disclosed without written consent. E & OE		
		Not to Scale    Drawn By AJO    Sheet No. 2/3		



Products P/N	PCS/Reel	Reels/Carton	PCS/Carton
SIM7100	1000	8	8000



Part Number		Product Description	
SIM7100		Micro SIM Card Connector - Push-Push Type	
Drawing Date		6 or 8 Pin, SMT, 1.50mm Profile	
12th September 2014			
By	CC	Tolerances (Except as Noted)	Units:
Detail	SIM7100 B PCN	Length	Metric (mm)
Revision	B	Angle	
Date	18/04/18		



This drawing is confidential and copyright of Global Connector Technology, Ltd (GCT). This drawing must not be copied or disclosed without written consent. E & OE



Not to Scale	Drawn By AJO	Sheet No. 3/3
--------------	--------------	---------------