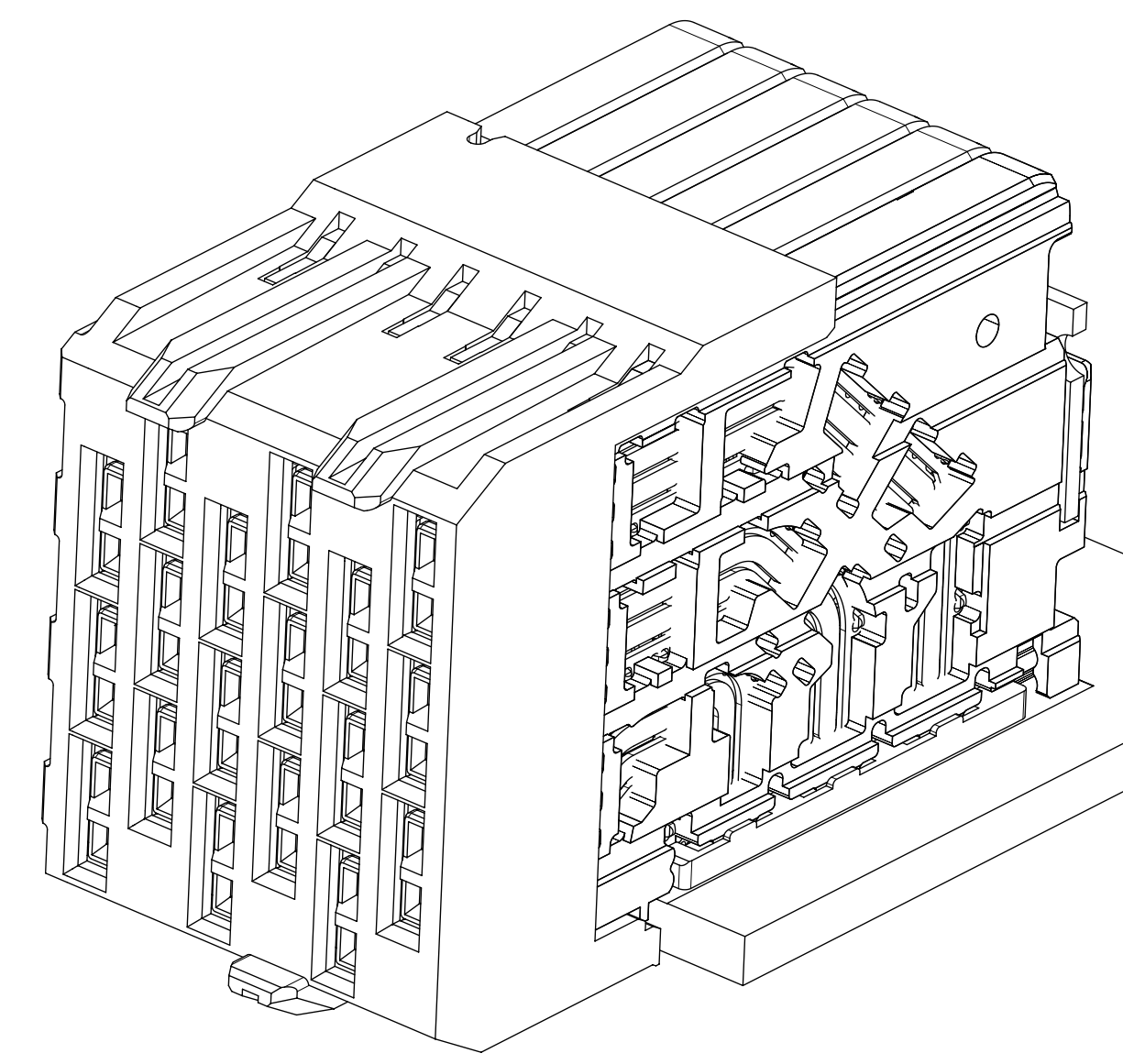
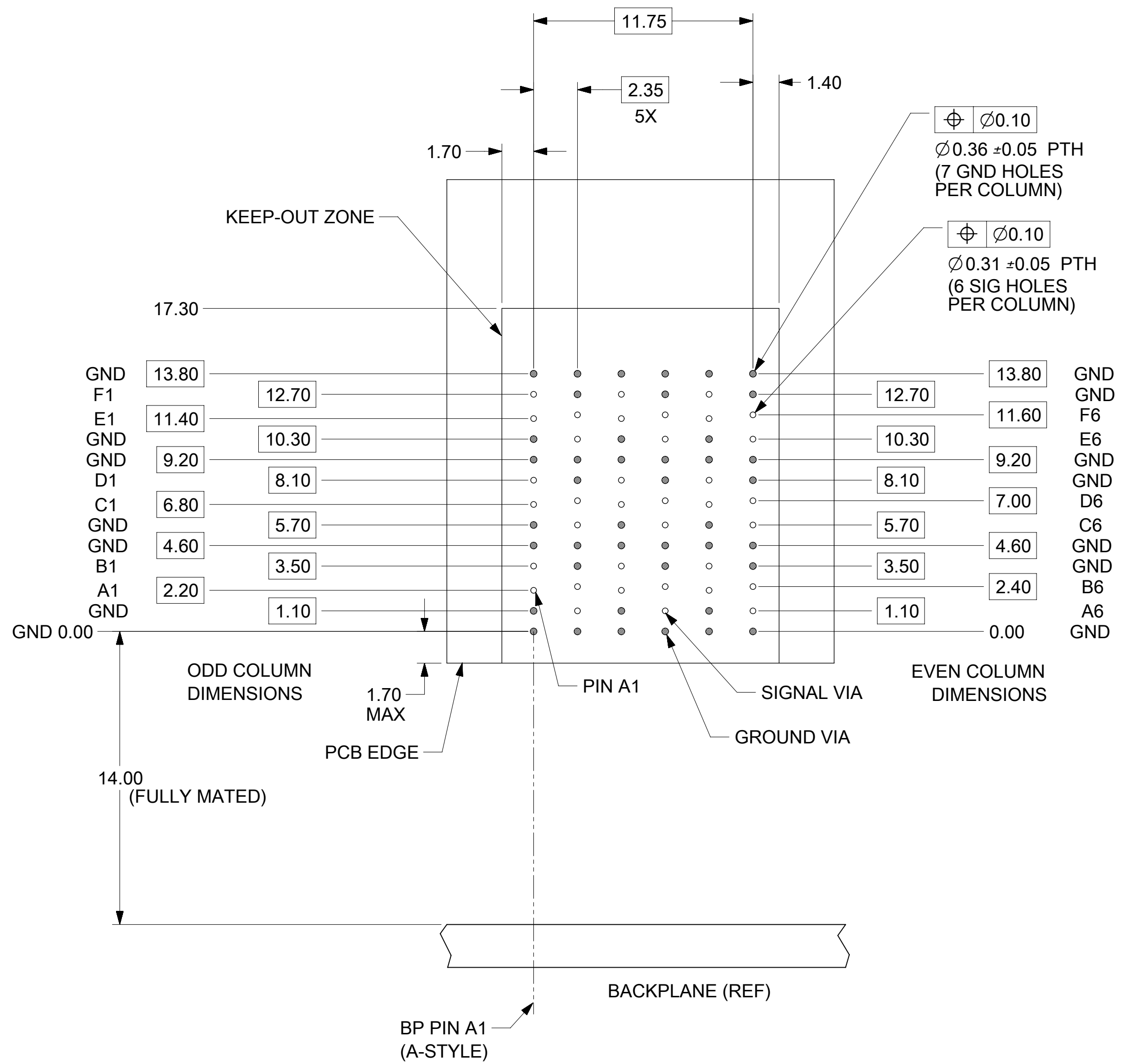


- NOTES:
1. MATERIALS: HOUSING - LIQUID CRYSTAL POLYMER (LCP) GLASS-FILLED, UL94V-0
TERMINALS - HIGH PERFORMANCE COPPER ALLOY
 2. FINISH: 30uIN GOLD IN CONTACT AREA.
SELECTIVE TIN ON PCB TAILS.
NICKEL OVERALL.
 3. REFER TO MOLEX PRODUCT SPECIFICATION PS-172020-0999 FOR PERFORMANCE SPECIFICATIONS.
 4. THIS PART CONFORMS TO CLASS B REQUIREMENTS OF MOLEX COSMETIC SPEC PS-45499-002.
 5. PRODUCT WILL BE PACKAGED PER PK-171510-0001.
 6. SEE SHEET 2 FOR HOLE PATTERN DIMENSIONS.
 7. MATES WITH IMPEL BP SERIES NUMBER 173460.
 8. REFER TO IMPEL PCB ROUTING GUIDE AS-173460-990 FOR ANTIPAD, ROUTING RECOMMENDATIONS, AND ADDITIONAL PCB INFORMATION.
 9. COMPONENT PLACEMENT AND TRACE KEEP OUT ZONE;
DO NOT PLACE ANY OTHER COMPONENT OR ROUTE ANY TOP LAYER TRACES IN THIS AREA.



SYMBOLS	THIS DRAWING CONTAINS INFORMATION THAT IS PROPRIETARY TO MOLEX ELECTRONIC TECHNOLOGIES, LLC AND SHOULD NOT BE USED WITHOUT WRITTEN PERMISSION														
	DIMENSION UNITS	SCALE	CURRENT REV DESC: MATL NUMBER CHANGE							DOCUMENT NUMBER		DOC TYPE	DOC PART	REVISION	
▽ = 0	mm		EC NO: 173320							IMPEL PLUS DAUGHTERCARD 3 PAIR X 6 COLUMN ORTHO UNGUIDED SALES DRAWING					
▽ = 0	GENERAL TOLERANCES (UNLESS SPECIFIED)		DRWN: FGRZELAK 2018/03/10												
▽ = 0	ANGULAR TOL ± 0.5°		CHK'D: DWLEE01 2018/05/25							PRODUCT CUSTOMER DRAWING					
▽ = 0	4 PLACES ±		APPR: DWLEE01 2018/05/25							INITIAL REVISION:		DOCUMENT NUMBER	DOC TYPE	DOC PART	REVISION
▽ = 0	3 PLACES ±		DRWN: MKRAUSE 2016/03/10							SD-171510-0001		PSD	000	B	
▽ = 0	2 PLACES ± 0.13		APPR: DWLEE01 2018/05/25							MATERIAL NUMBER		CUSTOMER		SHEET NUMBER	
▽ = 0	1 PLACE ± 0.25		DRAFT WHERE APPLICABLE MUST REMAIN WITHIN DIMENSIONS		THIRD ANGLE PROJECTION	DRAWING	SERIES	171510	1715107136	GENERAL MARKET		1 OF 2			
▽ = 0	0 PLACES ±					C-SIZE									



**DAUGHTERCARD HOLE PATTERN
(CONNECTOR SIDE)**

SYMBOLS = 0 = 0 = 0 = 0 = 0 = 0 = 0 = 0 = 0 = 0 = 0 = 0 = 0	THIS DRAWING CONTAINS INFORMATION THAT IS PROPRIETARY TO MOLEX ELECTRONIC TECHNOLOGIES, LLC AND SHOULD NOT BE USED WITHOUT WRITTEN PERMISSION		CURRENT REV DESC: MATL NUMBER CHANGE						
	DIMENSION UNITS mm	SCALE	EC NO: 173320 DRWN: FGRZELAK 2018/03/10 CHK'D: DWLEE01 2018/05/25 APPR: DWLEE01 2018/05/25				IMPEL PLUS DAUGHTERCARD 3 PAIR X 6 COLUMN ORTHO UNGUIDED SALES DRAWING		
	GENERAL TOLERANCES (UNLESS SPECIFIED)		INITIAL REVISION:		PRODUCT CUSTOMER DRAWING				
	ANGULAR TOL $\pm 0.5^\circ$		DRWN: MKRAUSE 2016/03/10 APPR: DWLEE01 2018/05/25		DOCUMENT NUMBER SD-171510-0001	DOC TYPE PSD	DOC PART 000	REVISION B	
4 PLACES \pm		DRAFT WHERE APPLICABLE MUST REMAIN WITHIN DIMENSIONS		THIRD ANGLE PROJECTION 	DRAWING C-SIZE	SERIES 171510	MATERIAL NUMBER 1715107136	CUSTOMER GENERAL MARKET	SHEET NUMBER 2 OF 2