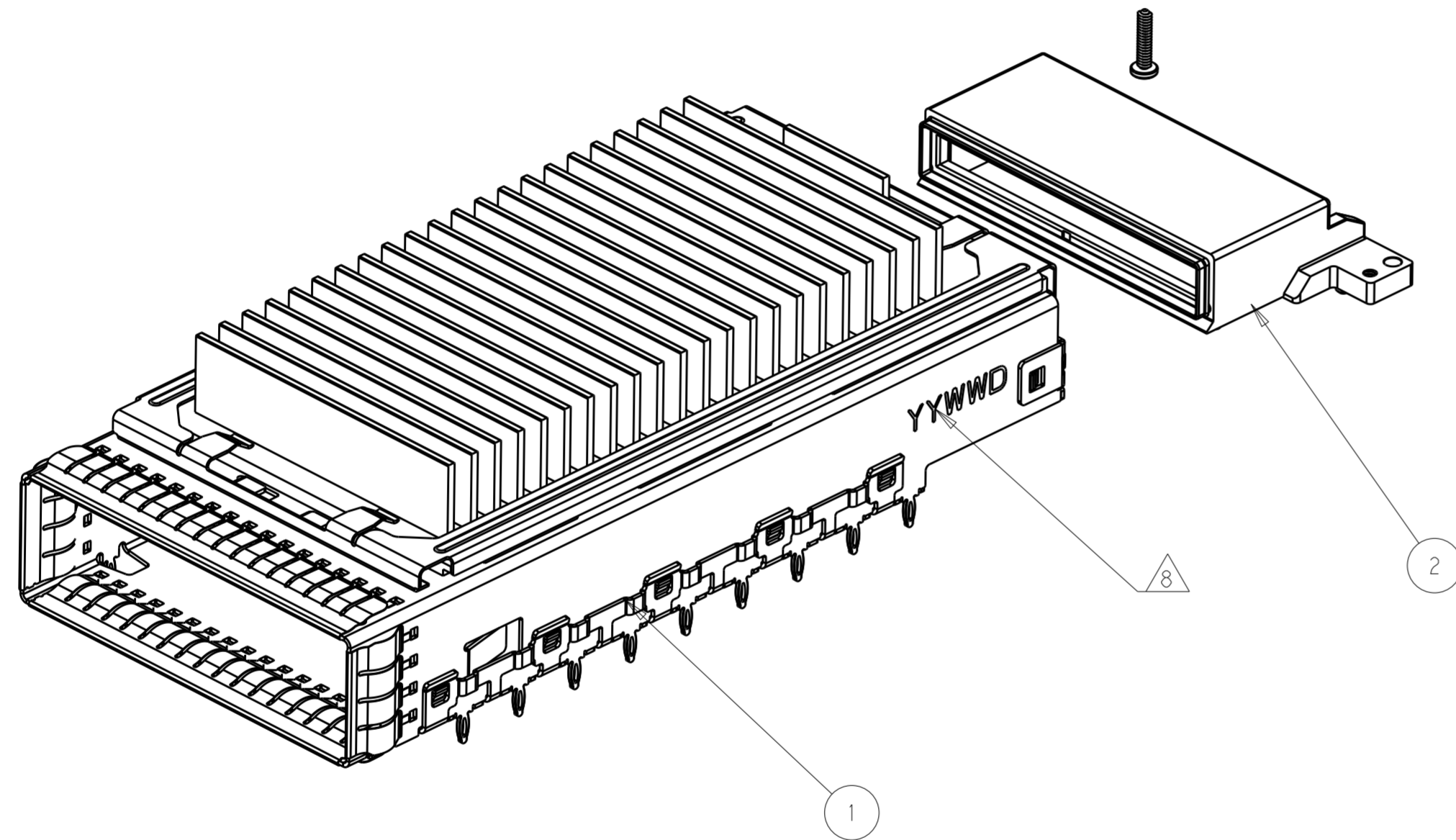


THIS DRAWING IS UNPUBLISHED. RELEASED FOR PUBLICATION 20
 © COPYRIGHT 20 BY - ALL RIGHTS RESERVED.

REVISIONS					
P	LTR	DESCRIPTION	DATE	DWN	APVD
1		PRELIMINARY DRAWING	17JUN2015	AD	SH
2		ADD NEW DASH NUMBER	19JUN2015	AD	SH
5		REVISE BOM	28UG2015	AD	SH
8		ADD NEW DASH NUMBER -3	07JUN2018	AD	SH



1. MATERIAL :CAGE :0.4MM THICK NICKEL SILVER ALLOY;
 EMI SPRING: COPPER ALLOY;
 HEAT SINK CLIP: STAINLESS STEEL;
 HEAT SINK:ALUMINUM ALLOY;
 RECEPTACLE COVER:ZINC ALLOY;

2. FINISH: EMI SPRING :1.27um NICKEL PLATING OVER ALL;
 HEAT SINK:BLACK ANODIZED COATING;
 RECEPTACLE COVER: 1.27um MIN NICKEL PLATING OVER COPPER PLATING;
 HEAT SINK CLIP:PASSIVATE;

3.MATES WITH CFP MSA COMPLIANT TRANSCEIVERS.

4.DATUM AND BASIC DIMENSION ESTABLISHED BY CUSTOMER.

5.MINIMUM PC BOARD THICKNESS: SIGLE SIDE APPLICATIONS 2.0MM MIN.
 BELLY TO BELLY APPLICATION:3.0MM MIN

6.PADS AND VIAS CHASSIS GROUND;

7:REFERENCE APPLICATION SOEC 114-32146 FOR
 RECOMMENDED DRILL HOLE DIAMETER AND PLATING THICKNESS.

8. DATE CODE LOCATED AT APPROXIMATE AREA AS SHOWN.

THIS PRINT IS
PRELIMINARY
 UNQUALIFIED PRODUCT
 CONTACT PRODUCT ENGINEERING
 BEFORE USING THIS PRINT

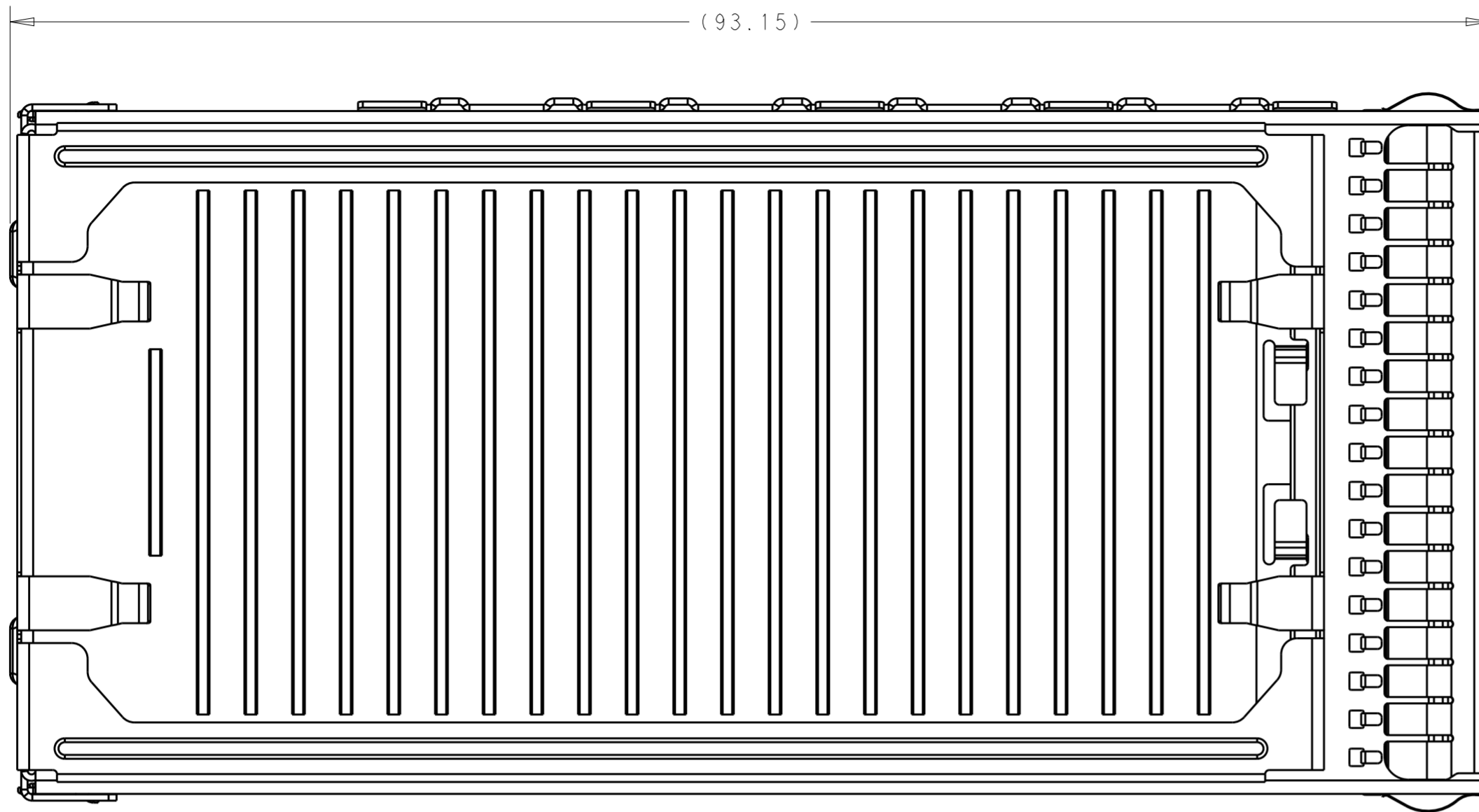
QTY	QTY	QTY	QTY	DESCRIPTION	ITEM
2	2	2	2292789-1	SCREW	3
1	1	1	2274846-1	RECEPTACLE COVER ASSEMBLY	2
1	-	-	2293277-6	CAGE ASSEMBLY WITH H/S,CFP2 1X1	1
-	1	-	2293277-2	CAGE ASSEMBLY WITH H/S,CFP2 1X1	
-	-	1	2293277-1	CAGE ASSEMBLY WITH H/S,CFP2 1X1	
-3	-2	-1	PAR NUMBER	DESCRIPTION	ITEM

THIS DRAWING IS A CONTROLLED DOCUMENT.

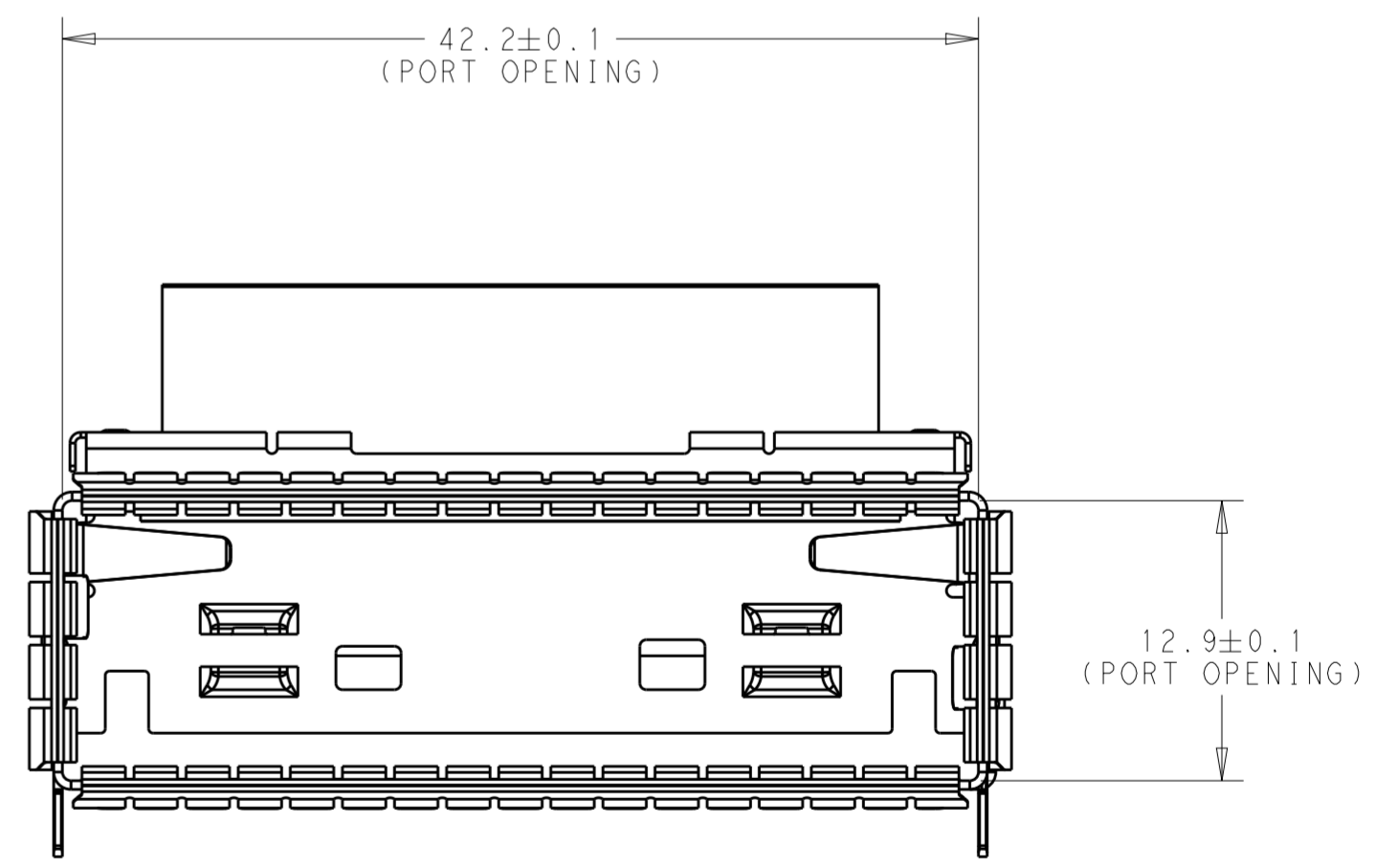
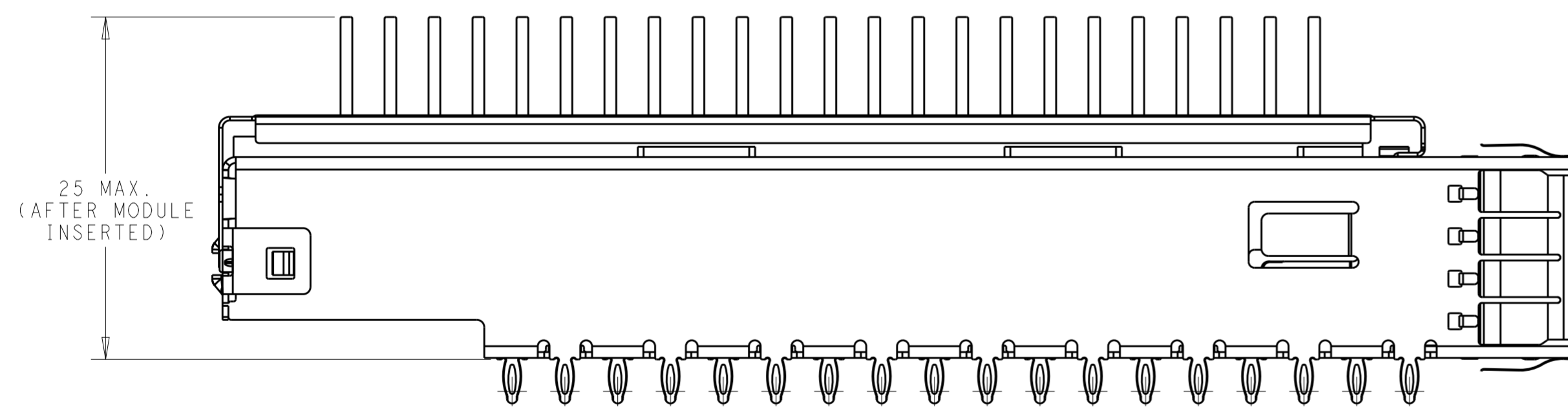
DWN ANDY.XIE 17JUN2015	 TE Connectivity PRELIMINARY
CHK -	
APVD SEAN.HAN 17JUN2015	
NAME HARDWARE KIT FOR CFP2 1X1	
DIMENSIONS: mm	TOLERANCES UNLESS OTHERWISE SPECIFIED: 0 PLC ± 1 PLC ±0.25 2 PLC ±0.13 3 PLC ±0.1 4 PLC ±0.05 ANGLES ±1 FINISH
MATERIAL SEE NOTES	SEE NOTES
PRODUCT SPEC 108-32103	APPLICATION SPEC 114-32146
SIZE A2	CAGE CODE -
WEIGHT -	DRAWING NO C-2274842
Customer Drawing	SCALE 1:1 SHEET 1 OF 7 REV 8

THIS DRAWING IS UNPUBLISHED. RELEASED FOR PUBLICATION 20
 © COPYRIGHT 20 BY - ALL RIGHTS RESERVED.

REVISIONS				
P	LTR	DESCRIPTION	DATE	APVD
-		SEE SHEET 1	-	-



THIS PRINT IS
PRELIMINARY
 UNQUALIFIED PRODUCT
 CONTACT PRODUCT ENGINEERING
 BEFORE USING THIS PRINT

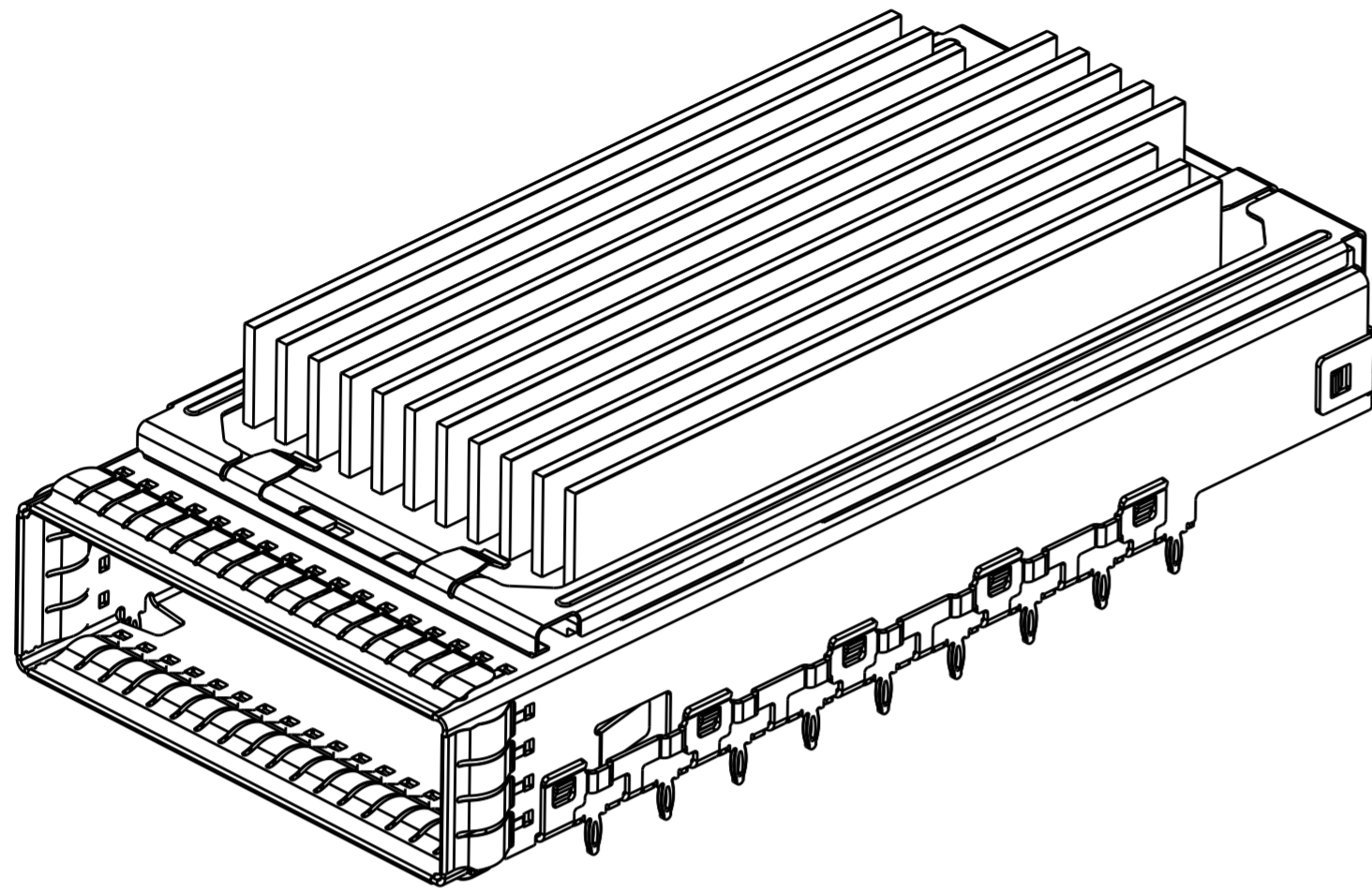


2293277-1 AS SHOWN

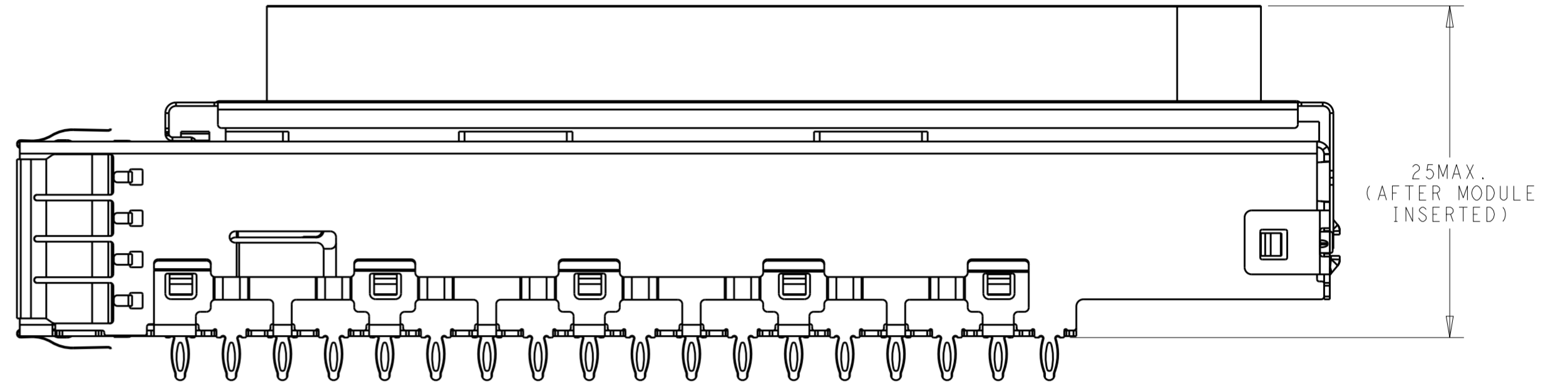
THIS DRAWING IS A CONTROLLED DOCUMENT.		DWN ANDY.XIE 17JUN2015	TE Connectivity			
DIMENSIONS: mm		CHK - APVD SEAN.HAN 17JUN2015				
TOLERANCES UNLESS OTHERWISE SPECIFIED: 0 PLC ± 1 PLC ±0.25 2 PLC ±0.13 3 PLC ±0.1 4 PLC ±0.05 ANGLES ±1 FINISH		NAME HARD WARE KIT FOR CFP2 1X1 PRESS FIT	SIZE A2	CAGE CODE -	DRAWING NO G-2274842	RESTRICTED TO -
MATERIAL SEE NOTES		APPLICATION SPEC -	WEIGHT -	SCALE 1:1	SHEET 2 OF 7	REV 8
		Customer Drawing				

THIS DRAWING IS UNPUBLISHED. RELEASED FOR PUBLICATION 20
 © COPYRIGHT 20 BY - ALL RIGHTS RESERVED.

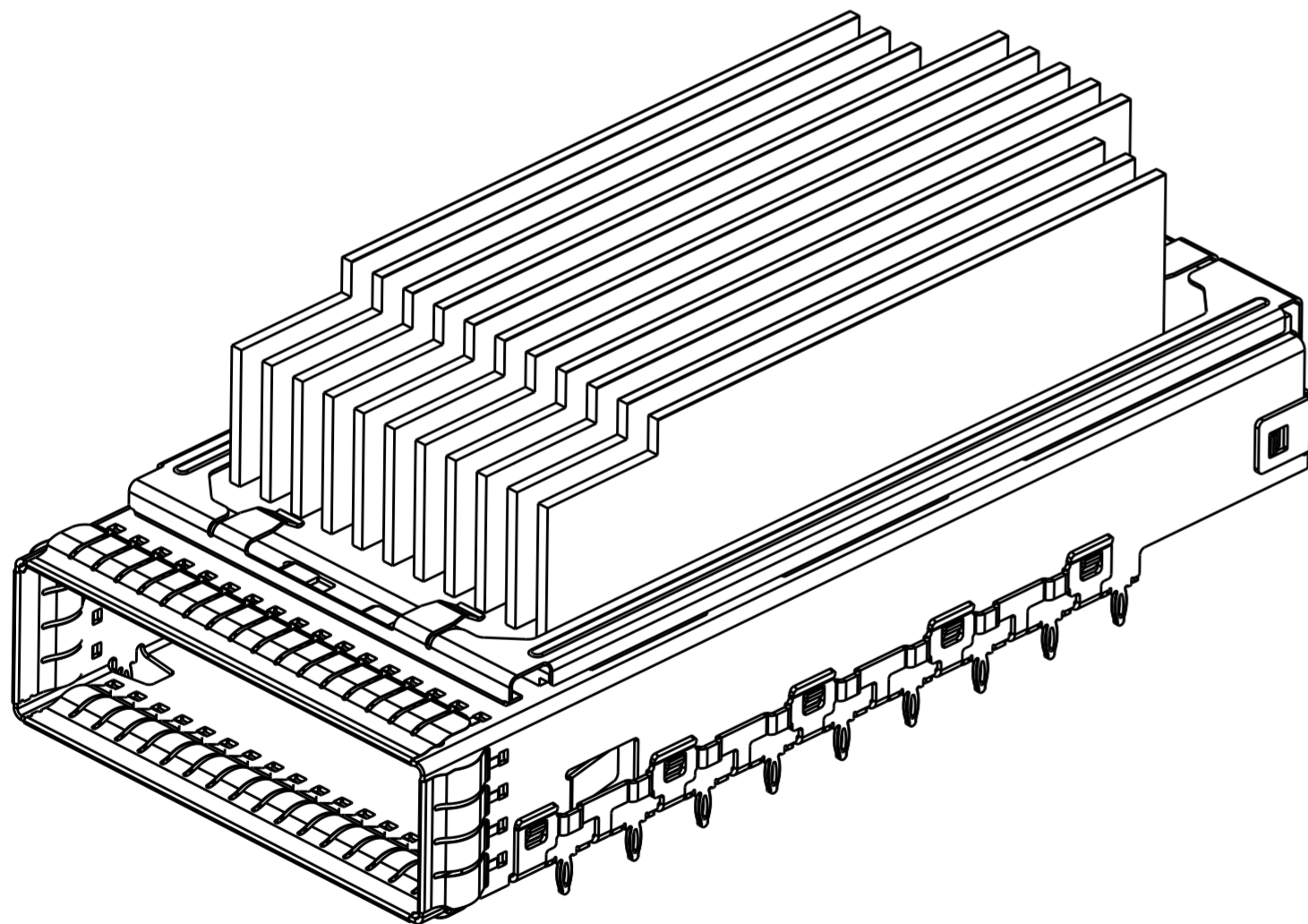
REVISIONS				
P	LTR	DESCRIPTION	DATE	APVD
-		SEE SHEET 1	-	-



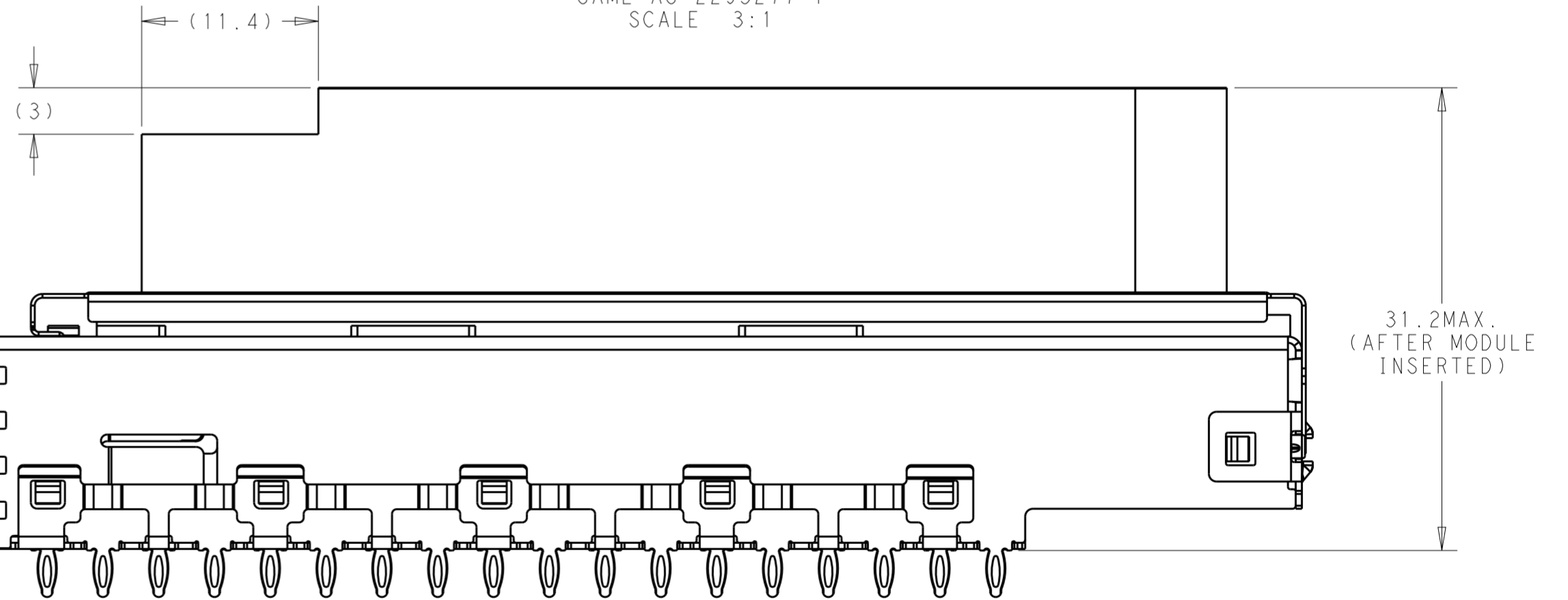
2293277-2



2293277-2
 OTHER DIMENSIONS
 SAME AS 2293277-1
 SCALE 3:1



2293277-6



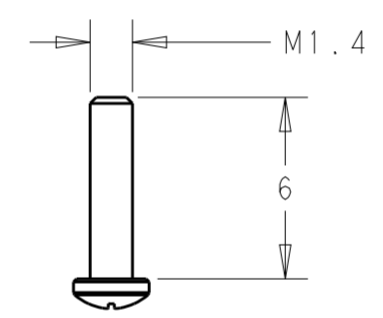
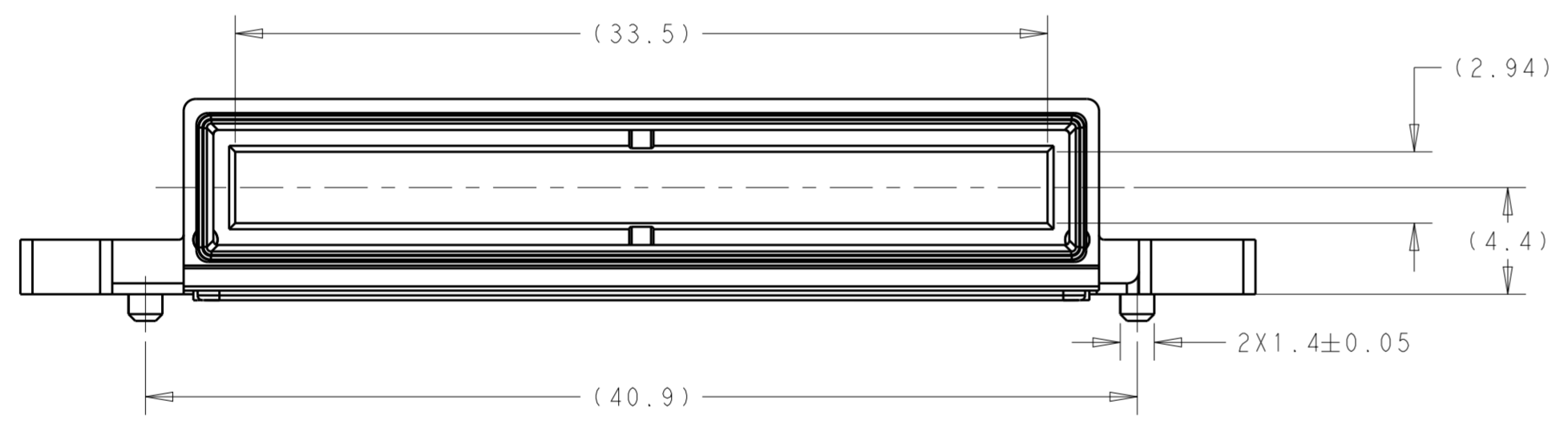
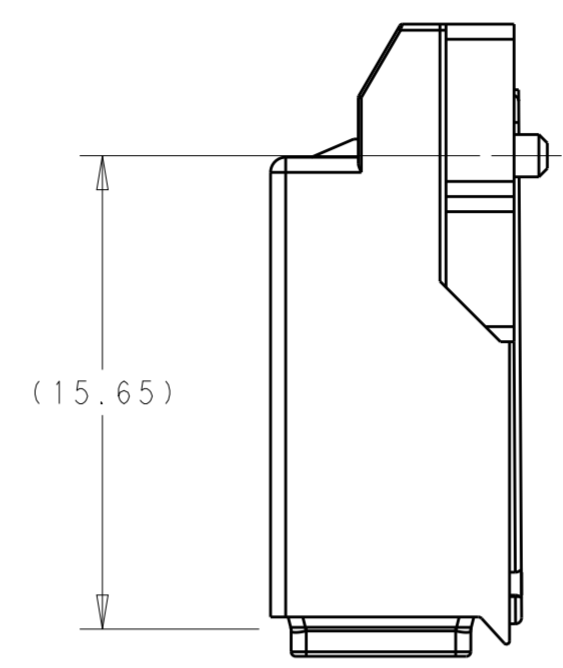
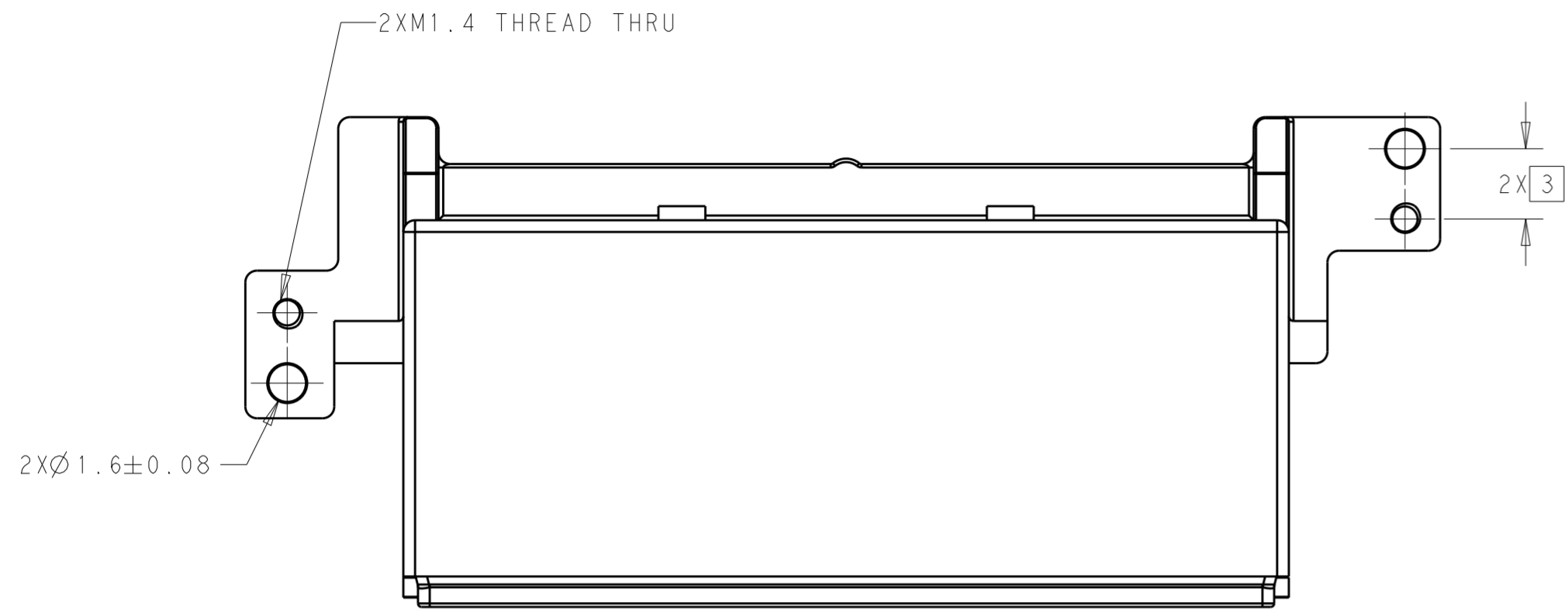
2293277-6 AS SHOWN, UNSPECIFIED
 DIMENSION SAME AS 2293277-1

THIS PRINT IS
PRELIMINARY
 UNQUALIFIED PRODUCT
 CONTACT PRODUCT ENGINEERING
 BEFORE USING THIS PRINT

THIS DRAWING IS A CONTROLLED DOCUMENT.		DWN ANDY.XIE 17JUN2015	TE Connectivity	
DIMENSIONS: mm		CHK -		
TOLERANCES UNLESS OTHERWISE SPECIFIED:		APVD SEAN.HAN 17JUN2015	NAME HARD WARE KIT FOR CFP2 1X1 PRESS FIT	
0 PLC ±		PRODUCT SPEC	SIZE A2	
1 PLC ±0.25		APPLICATION SPEC	CAGE CODE -	
2 PLC ±0.13		WEIGHT	DRAWING NO G-2274842	
3 PLC ±0.1		Customer Drawing	RESTRICTED TO -	
4 PLC ±0.05			SCALE 3:1 SHEET 3 OF 7 REV 8	
ANGLES ±1				
FINISH				
MATERIAL SEE NOTES				

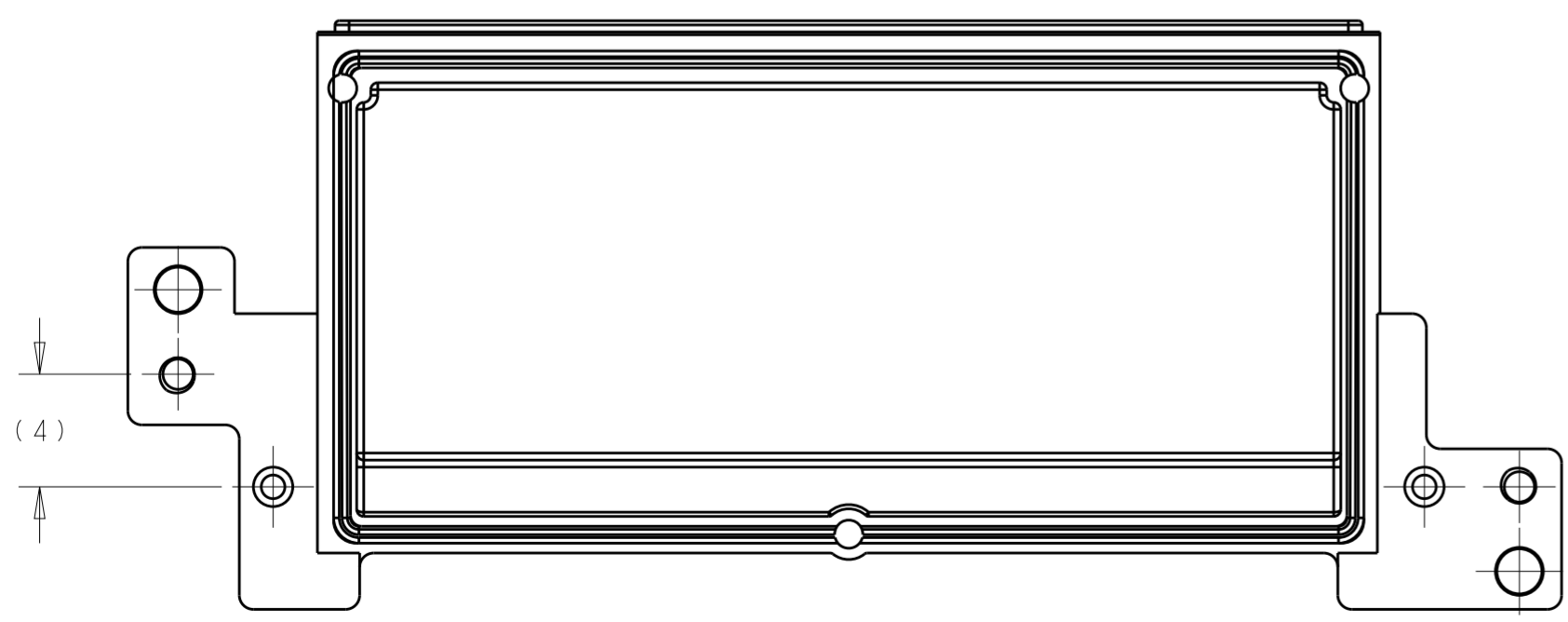
THIS DRAWING IS UNPUBLISHED. RELEASED FOR PUBLICATION 20
 © COPYRIGHT 20 BY - ALL RIGHTS RESERVED.

REVISIONS				
P	LTR	DESCRIPTION	DATE	APVD
-	-	SEE SHEET 1	-	-



SCALE 4:1

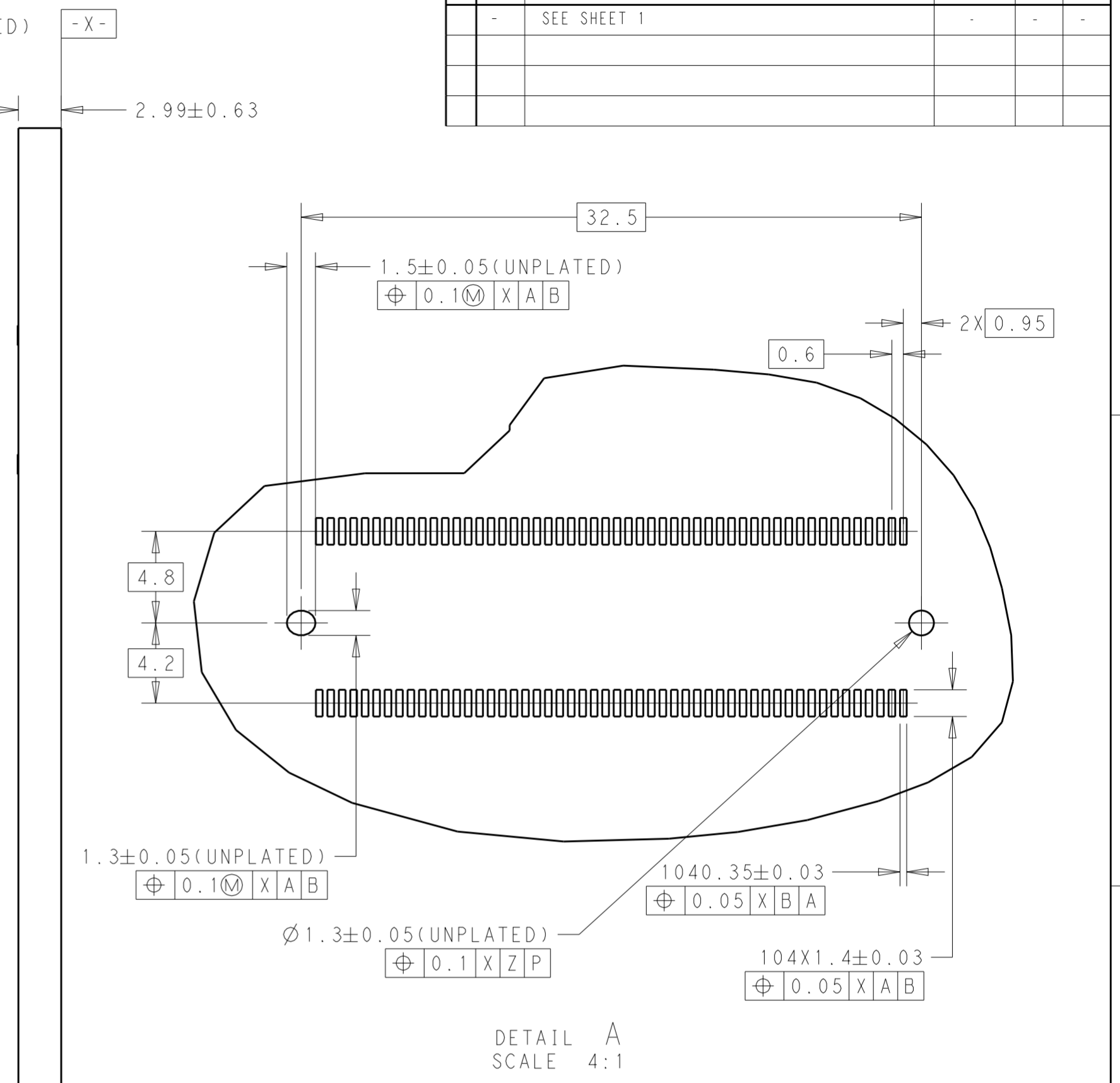
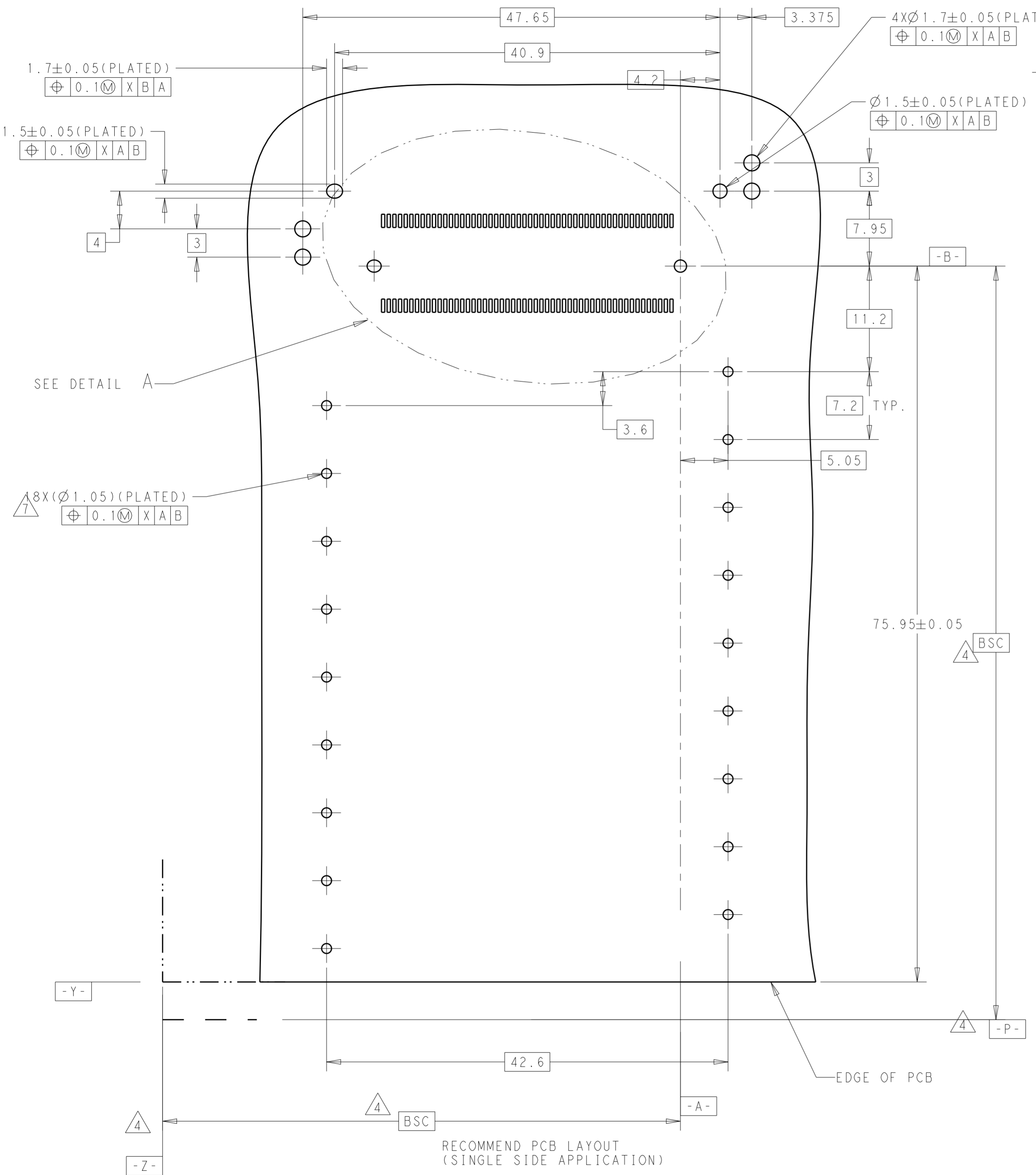
THIS PRINT IS
PRELIMINARY
 UNQUALIFIED PRODUCT
 CONTACT PRODUCT ENGINEERING
 BEFORE USING THIS PRINT



THIS DRAWING IS A CONTROLLED DOCUMENT.		DWN ANDY.XIE 17JUN2015	TE Connectivity	
DIMENSIONS: mm		CHK -		
TOLERANCES UNLESS OTHERWISE SPECIFIED:		APVD SEAN.HAN 17JUN2015	NAME HARD WARE KIT FOR CFP2 1X1 PRESS FIT	
0 PLC ± 1 PLC ±0.25 2 PLC ±0.13 3 PLC ±0.1 4 PLC ±0.05		PRODUCT SPEC -	SIZE A2	
MATERIAL SEE NOTES		APPLICATION SPEC -	CAGE CODE -	DRAWING NO C-2274842
FINISH SEE NOTES		WEIGHT -	RESTRICTED TO -	SCALE 4:1 SHEET 4 OF 7 REV 8
Customer Drawing				

THIS DRAWING IS UNPUBLISHED. RELEASED FOR PUBLICATION 20
 © COPYRIGHT 20 BY - ALL RIGHTS RESERVED.

REVISIONS					
P	LTR	DESCRIPTION	DATE	DWN	APVD
-	-	SEE SHEET 1	-	-	-



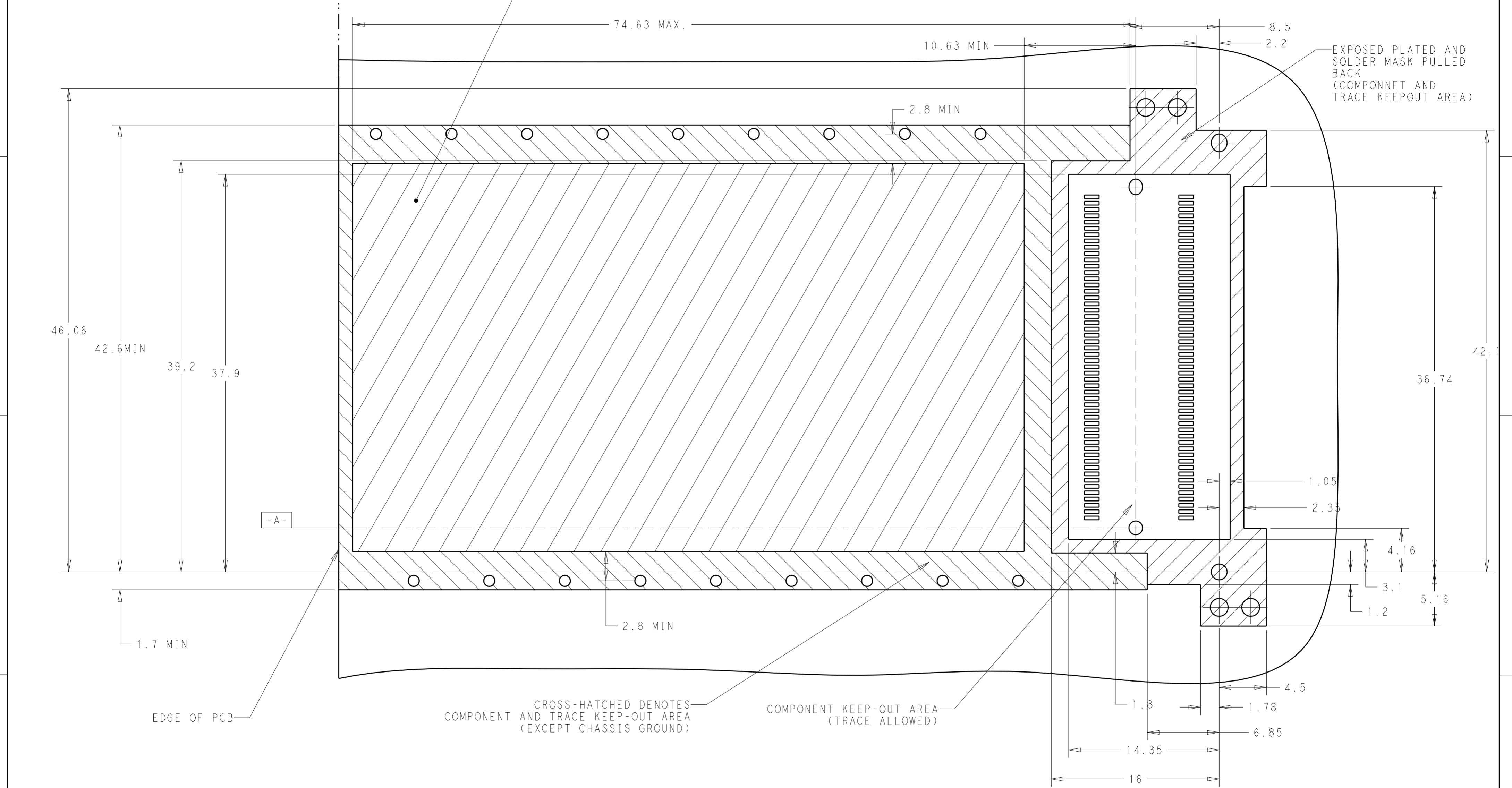
THIS PRINT IS
PRELIMINARY
 UNQUALIFIED PRODUCT
 CONTACT PRODUCT ENGINEERING
 BEFORE USING THIS PRINT

THIS DRAWING IS A CONTROLLED DOCUMENT.		DWN ANDY.XIE 17JUN2015	TE Connectivity		
DIMENSIONS: mm		CHK -			
TOLERANCES UNLESS OTHERWISE SPECIFIED:		APVD SEAN.HAN 17JUN2015	NAME HARD WARE KIT FOR CFP2 1X1 PRESS FIT		
0 PLC ±		PRODUCT SPEC -	SIZE A2		
1 PLC ±0.25		APPLICATION SPEC -	CAGE CODE -		
2 PLC ±0.13		WEIGHT -	DRAWING NO C-2274842		
3 PLC ±0.1		Customer Drawing	RESTRICTED TO -		
4 PLC ±0.05		SCALE 3:1	SHEET 5 OF 7		
ANGLES ±1		REV 8	REV 8		
FINISH SEE NOTES					

THIS DRAWING IS UNPUBLISHED. RELEASED FOR PUBLICATION 20
 © COPYRIGHT 20 BY - ALL RIGHTS RESERVED.

REVISIONS				
P	LTR	DESCRIPTION	DATE	APVD
-		SEE SHEET 1	-	-

CROSS-HATCHED DENOTES COMPONENT AND TRACE KEEP-OUT AREA (EXCEPT CHASSIS GROUND) FOR NON-MAYLARTAPE APPLICATION. COMPONENTS AND TRACES ARE ONLY ALLOWED FOR APPLICATION WITH MYLAR TAPE



EDGE OF PCB

CROSS-HATCHED DENOTES COMPONENT AND TRACE KEEP-OUT AREA (EXCEPT CHASSIS GROUND)

COMPONENT KEEP-OUT AREA (TRACE ALLOWED)

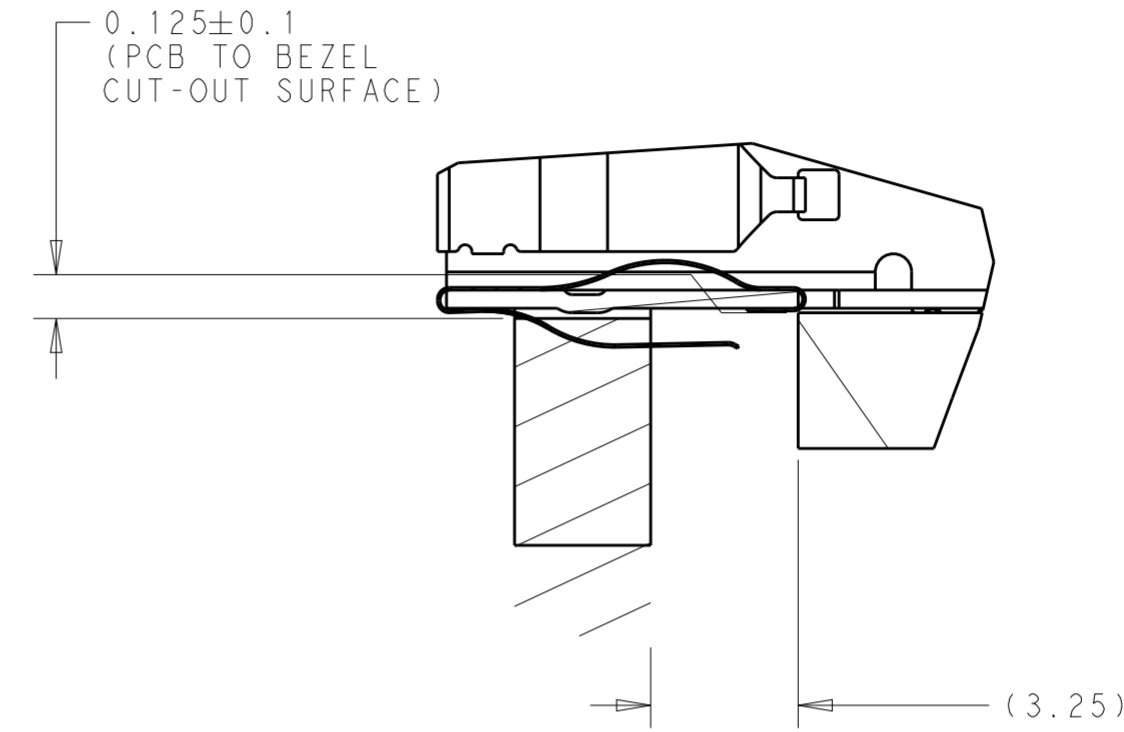
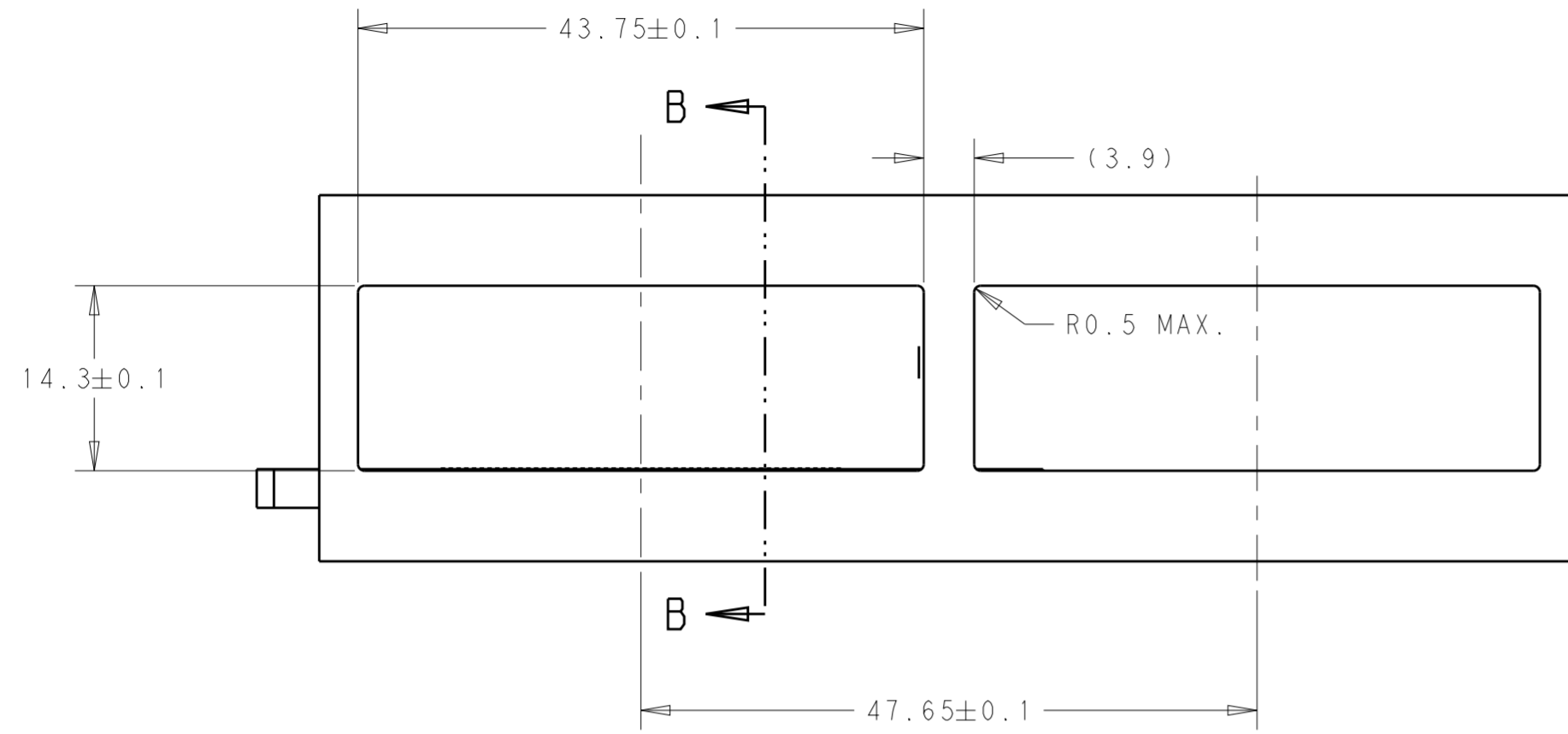
EXPOSED PLATED AND SOLDER MASK PULLED BACK (COMPONENT AND TRACE KEEPOUT AREA)

THIS PRINT IS
PRELIMINARY
 UNQUALIFIED PRODUCT
 CONTACT PRODUCT ENGINEERING
 BEFORE USING THIS PRINT

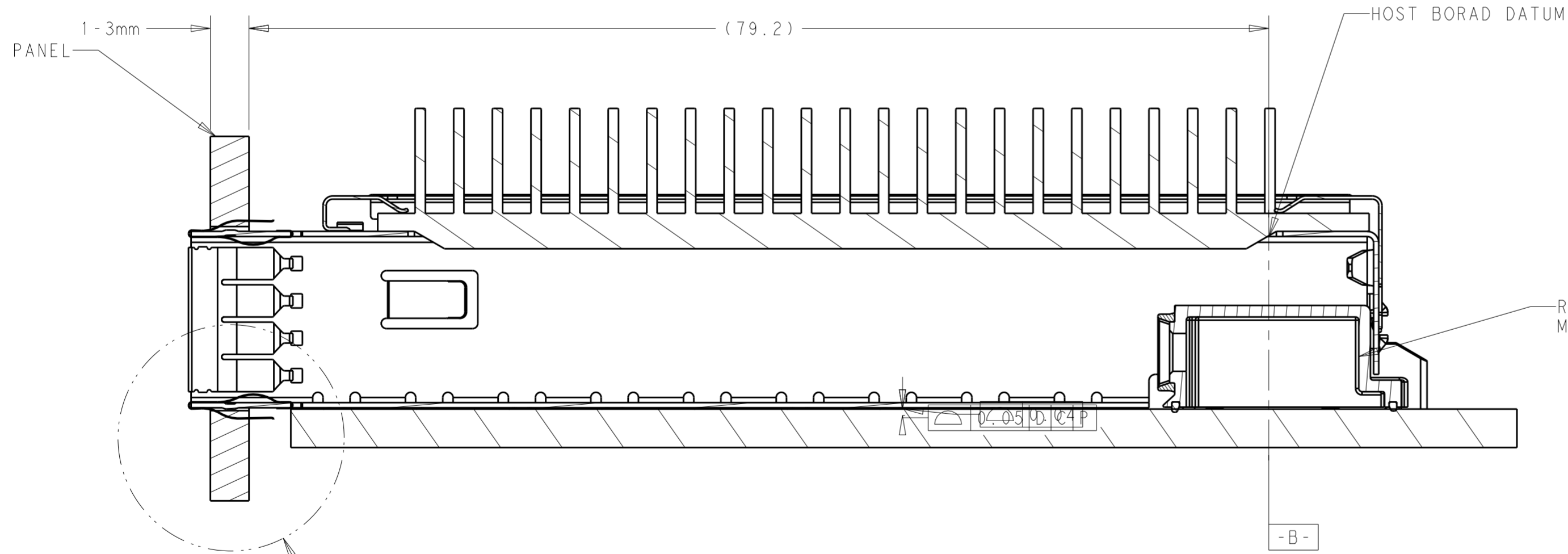
THIS DRAWING IS A CONTROLLED DOCUMENT.		DWN ANDY.XIE 17JUN2015	TE Connectivity	
DIMENSIONS: mm		CHK -		
TOLERANCES UNLESS OTHERWISE SPECIFIED:		APVD SEAN.HAN 17JUN2015	NAME HARD WARE KIT FOR CFP2 1X1 PRESS FIT	
0 PLC ±0.10		PRODUCT SPEC -	SIZE A2	
1 PLC ±0.10		APPLICATION SPEC -	CAGE CODE -	
2 PLC ±0.10		WEIGHT -	DRAWING NO C-2274842	
3 PLC ±0.10		Customer Drawing	RESTRICTED TO -	
4 PLC ±0.05			SCALE 1:1 SHEET 6 OF 7 REV 8	
ANGLES ±1				
FINISH				
MATERIAL SEE NOTES				
SEE NOTES				

THIS DRAWING IS UNPUBLISHED. RELEASED FOR PUBLICATION 20
 © COPYRIGHT 20 BY - ALL RIGHTS RESERVED.

REVISIONS				
P	LTR	DESCRIPTION	DATE	APVD
-	-	SEE SHEET 1	-	-



DETAIL B
SCALE 6:1



SECTION B-B
SCALE 3:1

THIS PRINT IS
PRELIMINARY
 UNQUALIFIED PRODUCT
 CONTACT PRODUCT ENGINEERING
 BEFORE USING THIS PRINT

SEE DETAIL B

THIS DRAWING IS A CONTROLLED DOCUMENT.		DWN ANDY.XIE 17JUN2015	TE Connectivity											
DIMENSIONS: mm		CHK -												
TOLERANCES UNLESS OTHERWISE SPECIFIED:		APVD SEAN.HAN 17JUN2015	NAME HARD WARE KIT FOR CFP2 1X1 PRESS FIT											
<table border="0"> <tr><td>0 PLC</td><td>±</td></tr> <tr><td>1 PLC</td><td>±0.25</td></tr> <tr><td>2 PLC</td><td>±0.13</td></tr> <tr><td>3 PLC</td><td>±0.1</td></tr> <tr><td>4 PLC</td><td>±0.05</td></tr> </table>		0 PLC	±	1 PLC	±0.25	2 PLC	±0.13	3 PLC	±0.1	4 PLC	±0.05	PRODUCT SPEC -	SIZE A2	CAGE CODE -
0 PLC	±													
1 PLC	±0.25													
2 PLC	±0.13													
3 PLC	±0.1													
4 PLC	±0.05													
MATERIAL SEE NOTES		APPLICATION SPEC -	DRAWING NO C-2274842	RESTRICTED TO -										
FINISH -		WEIGHT -	SCALE 5:1	SHEET 7 OF 7										
-		Customer Drawing	REV 8											