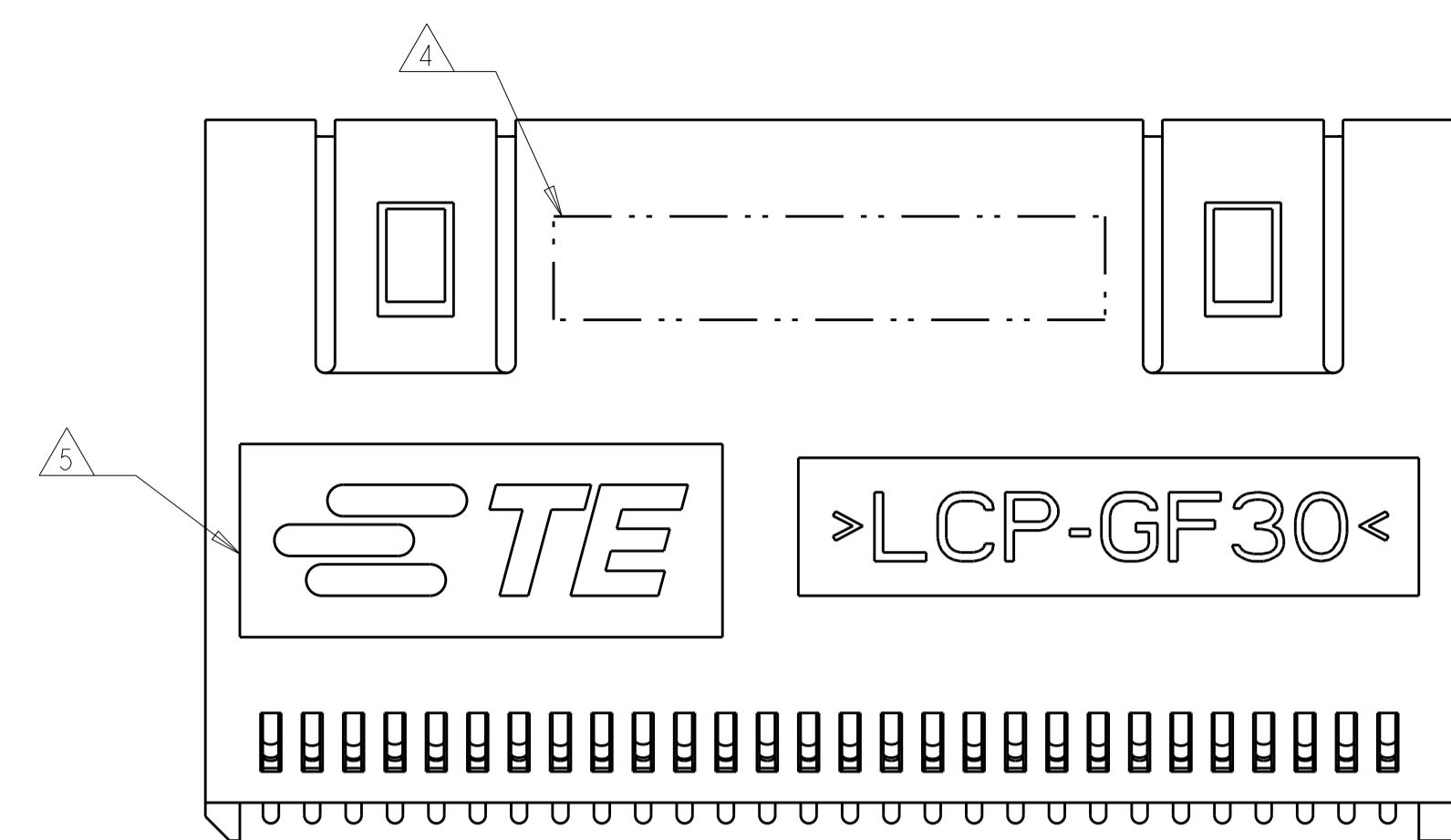
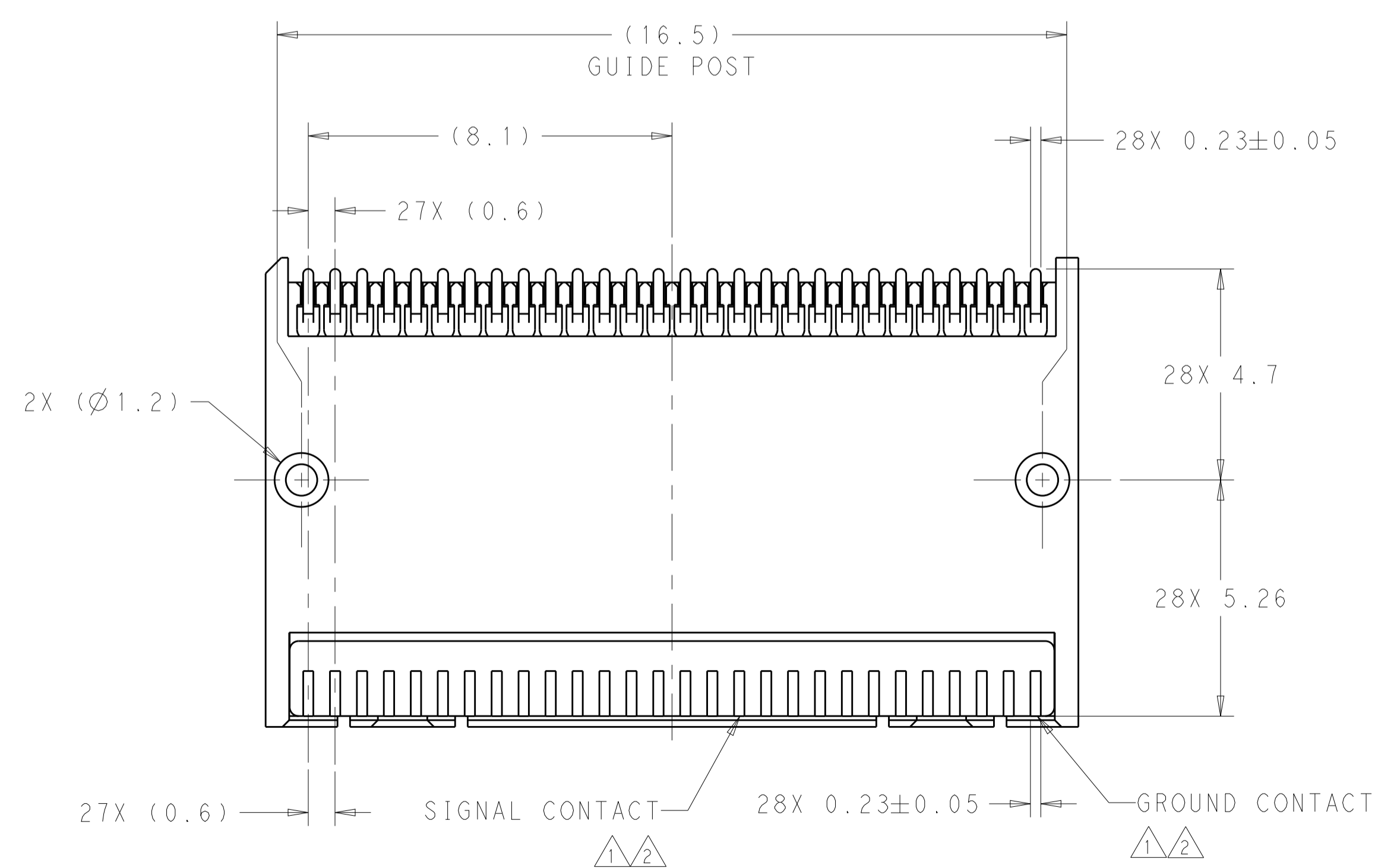
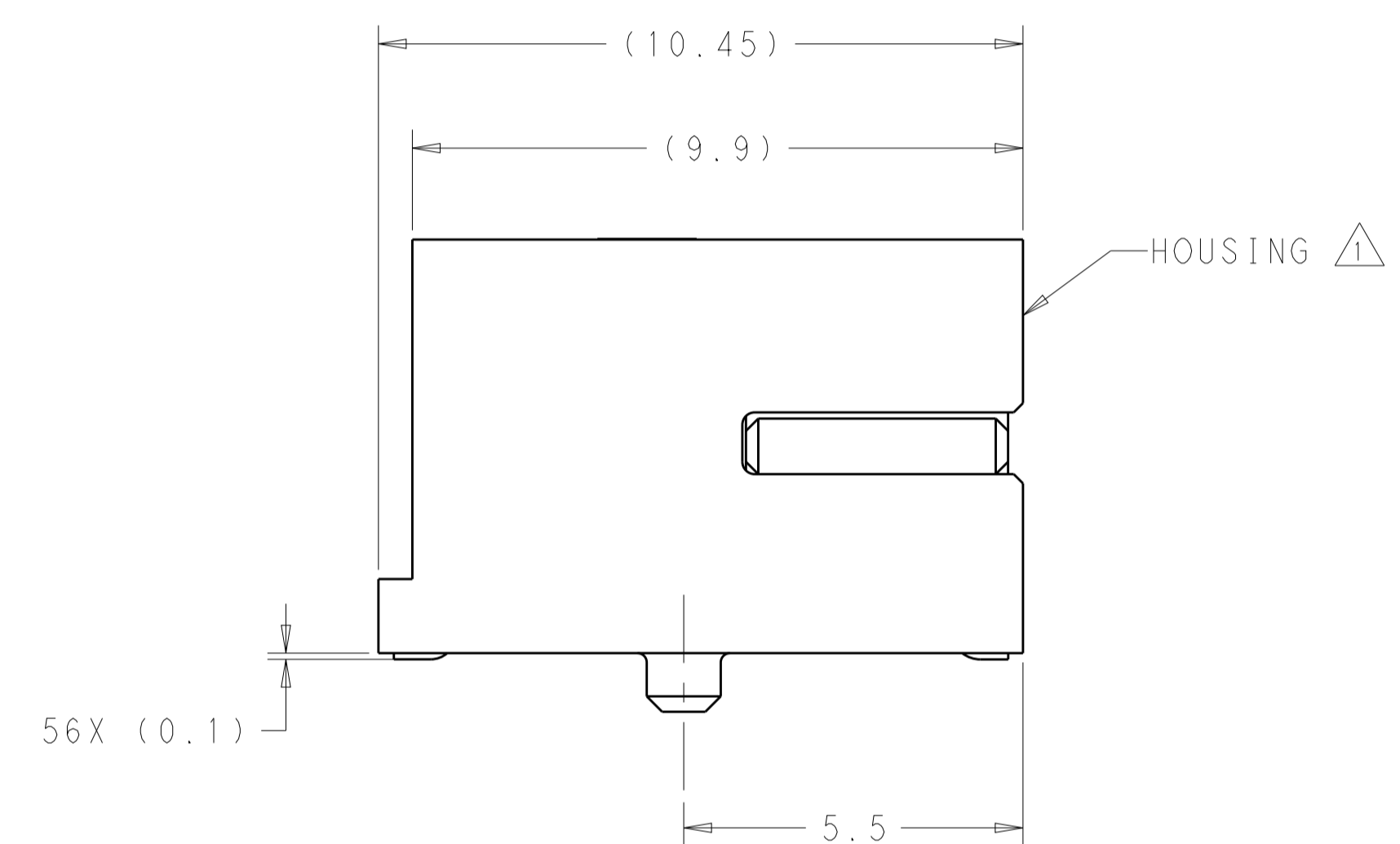
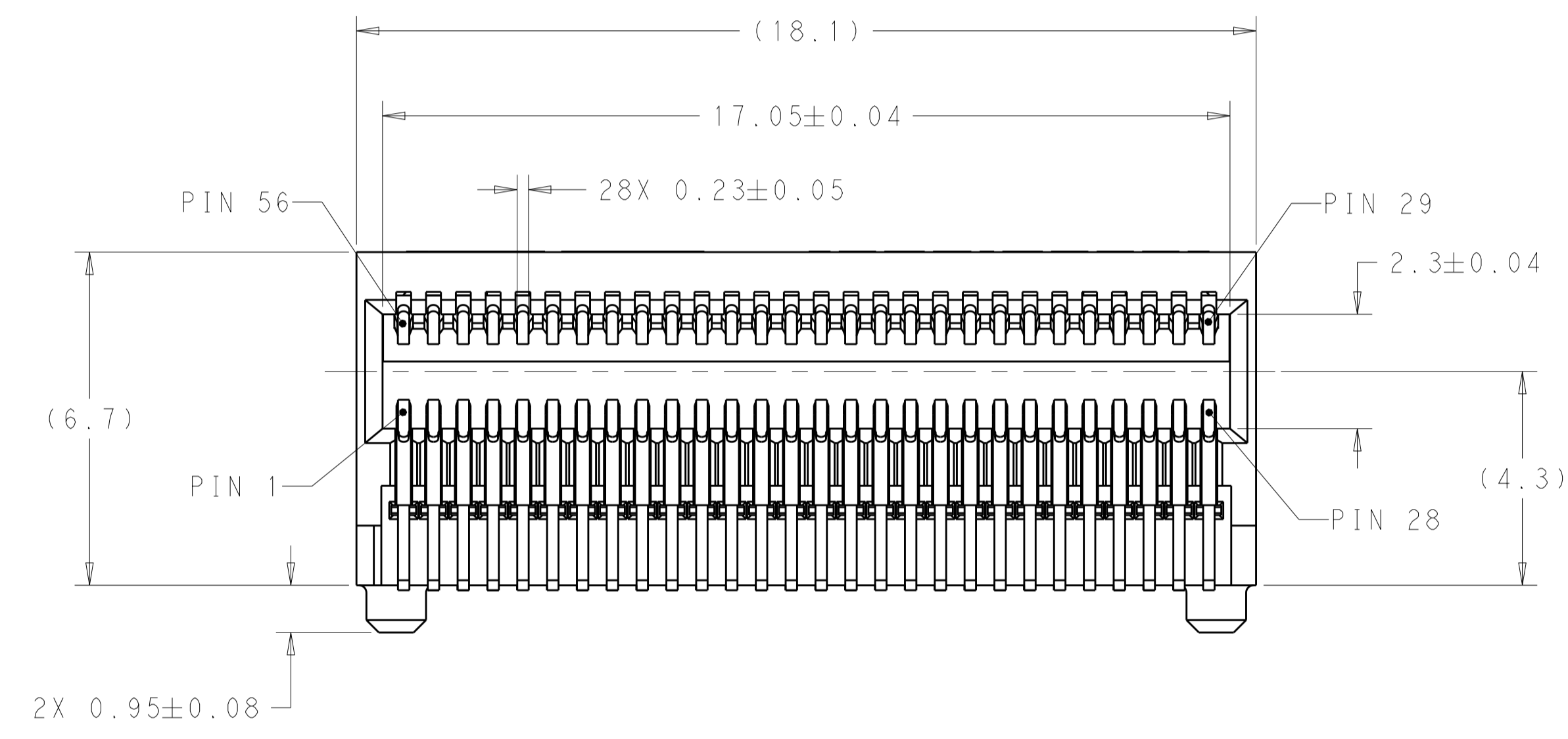


REVISIONS				
P.	LTN.	DESCRIPTION	DATE	APVD.
A		RELEASED PER ECO-18-005803	26APR2018	MS JW



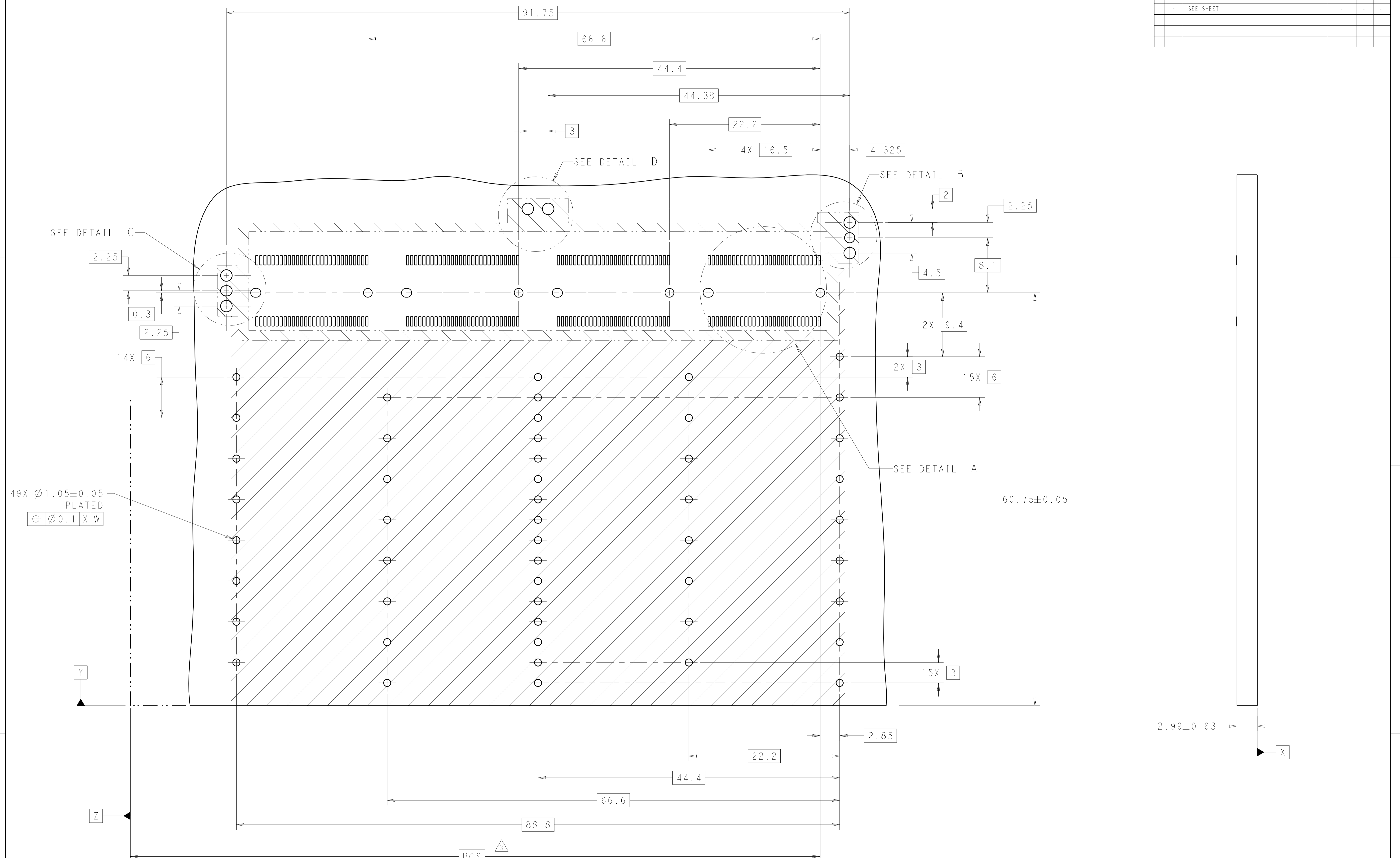
- △ MATERIALS:
 HOUSING- POLYESTER LCP, UL 94V-0
 SIGNAL CONTACT- COPPER ALLOY.
 GROUND CONTACT- COPPER ALLOY.
- △ CONTACT FINISH: CONFORMS TO THE REQUIREMENTS OF TE PRODUCT SPECIFICATION 108-32103, BASED ON EIA/ECA-364-1000.01A, (CONTROLLED ENVIRONMENT APPLICATIONS) ON MATING INTERFACE, GOLD FLASH ON SOLDER TAIL.
- △ DATUM AND BASIC DIMENSION ESTABLISHED BY CUSTOMER.
- △ PART NUMBER AND DATE CODE MARKED IN APPROXIMATE AREA SHOWN.
- △ MANUFACTURER'S LOGO APPROXIMATELY AS SHOWN.



2288229-1
 PART NUMBER

THIS DRAWING IS A CONTROLLED DOCUMENT.		DWN: B. MATTHEWS 01MAY2015	TE Connectivity NAME: CONNECTOR ASSEMBLY, RECEPTACLE, CFP4 PRODUCT SPEC: 108-32103 APPLICATION SPEC: 114-32146	SIZE: A	CAGE CODE: 100779	DRAWING NO: C=2288229	RESTRICTED TO: -
DIMENSIONS: mm		CHK: M. SCHMITT 01MAY2015		MATERIAL: -	WEIGHT: -	CUSTOMER DRAWING	SCALE: 10:1
TOLERANCES UNLESS OTHERWISE SPECIFIED:		APVD: M. SCHMITT 01MAY2015	FINISH: -		REV: A		
0 PLC	±	MATERIAL: -					
1 PLC	±0.1	FINISH: -					
2 PLC	±						
3 PLC	±						
4 PLC	±						
ANGLES	±						

REVISIONS				
P.	LTN.	DESCRIPTION	DATE	APVD.
-	-	SEE SHEET 1	-	-



49X $\varnothing 1.05 \pm 0.05$
PLATED
 $\varnothing 0.1$ X W

RECOMMENDED PCB LAYOUT
SCALE 4:1
SINGLE SIDED APPLICATION
1X1 CONFIGURATION SHOWN

THIS DRAWING IS A CONTROLLED DOCUMENT.		DWN: B. MATTHEWS 01MAY2015	TE Connectivity
DIMENSIONS: mm		CHK: M. SCHMITT 01MAY2015	
TOLERANCES UNLESS OTHERWISE SPECIFIED:		APVD: M. SCHMITT 01MAY2015	NAME: CONNECTOR ASSEMBLY, RECEPTACLE, CFP4
0 PLC	±	PRODUCT SPEC	SIZE: A1
1 PLC	±0.1	108-32103	CAGE CODE: 2288229
2 PLC	±	APPLICATION SPEC	RESTRICTED TO: -
3 PLC	±	114-32146	SCALE: 10:1
4 PLC	±	WEIGHT: -	SHEET: 2 OF 4
ANGLES	±	CUSTOMER DRAWING	REV: A

