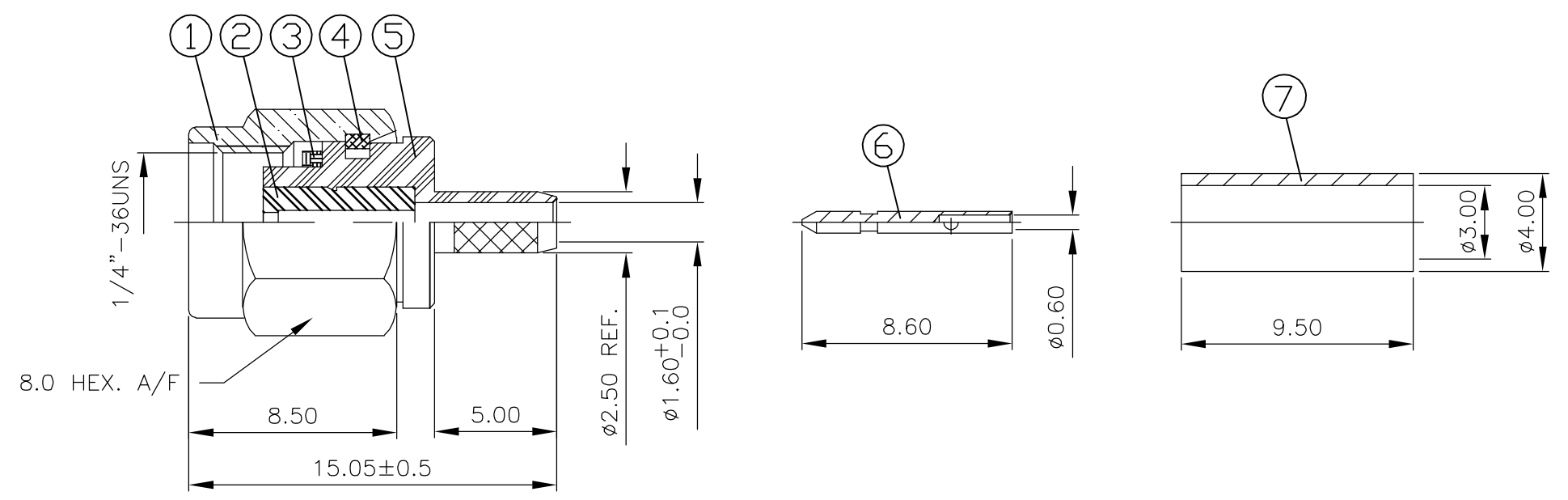


THIS DRAWING IS UNPUBLISHED. RELEASED FOR PUBLICATION APRIL, 2004.  
 © COPYRIGHT 2004 BY TYCO ELECTRONICS CORPORATION. ALL RIGHTS RESERVED.

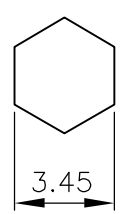
LOC	DIST	REVISIONS					
E	B	P	LTR	DESCRIPTION	DATE	DWN	APVD
		A		EBD0-0035-03	03FEB04	RS	FWK

- NOTES:
- 1 SINGLE PACK IN ACCORDANCE WITH SPEC 107-3275
  - 2 100 TRAY PACK IN ACCORDANCE WITH SPEC 107-3275
  - 3 0.08µm Au PLATING OVER 1.27µm Ni PLATING
  - 4 0.08µm Au PLATING OVER 1.27µm Ni PLATING OVER 0.76µm Cu PLATING
  - 5 0.76µm Au PLATING OVER 1.27µm Ni PLATING OVER 0.76µm Cu PLATING
  - 6 PASSIVATED
  - 7 WHITE BRONZE PLATING
  - 8 PLATING AS PER BODY, EXCEPT FOR PASSIVATED WHICH IS NICKEL PLATED
  - 9 HAND TOOL 9-1478240-0
  - 10 DIE SET 9-1478248-0
  - 11 FOR TECHNICAL DATA REFER TO YOUR LOCAL TYCO ELECTRONICS SALES OFFICE
  - 12 ALL DIMENSIONS ARE NOMINAL FOR REFERENCE ONLY UNLESS OTHERWISE STATED

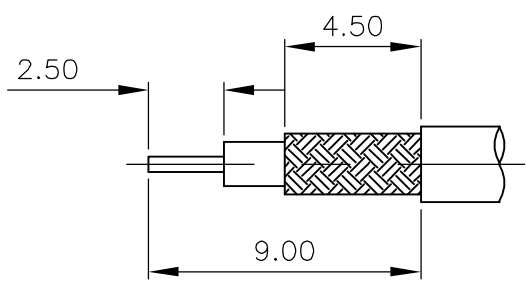


1	1	1	1	1	1	1	1	BRASS	8	CRIMP SLEEVE	7
1	1	1	1	1	1	1	1	BRASS	5	CENTER CONTACT	6
1	1	-	-	-	-	-	-	BRASS	7	BODY	5
-	-	1	1	-	-	-	-	BRASS	4	BODY	5
-	-	-	-	1	1	-	-	STAINLESS STEEL	6	BODY	5
-	-	-	-	-	-	1	1	STAINLESS STEEL	3	BODY	5
1	1	1	1	1	1	1	1	STAINLESS STEEL		CIRCLIP	4
1	1	1	1	1	1	1	1	SILICON		GASKET	3
1	1	1	1	1	1	1	1	PTFE		INSULATOR	2
1	1	-	-	-	-	-	-	BRASS	7	SHELL	1
-	-	1	1	-	-	-	-	BRASS	4	SHELL	1
-	-	-	-	1	1	-	-	STAINLESS STEEL	6	SHELL	1
-	-	-	-	-	-	1	1	STAINLESS STEEL	3	SHELL	1
4--1	4--0	3--1	3--0	2--1	2--0	1--1	1--0	MATERIAL		DESCRIPTION	ITEM
2	1	2	1	2	1	2	1				

RECOMMENDED CRIMP SLEEVE A/F HEX



RECOMMENDED CABLE STRIPPING DIM'S



THIS DRAWING IS A CONTROLLED DOCUMENT.		DWN R.SMITH 03FEB04	Tyco Electronics Corporation Bideford, UK, EX39 4HE	
DIMENSIONS: mm		CHK S.PARLOW 03FEB04		
TOLERANCES UNLESS OTHERWISE SPECIFIED:		APVD F.WHEELER-KING 03FEB04	NAME SMA STRAIGHT PLUG NON CAPTIVE SOLDER CONTACT CRIMP ATTACHMENT	
0 PLC ± -		PRODUCT SPEC 108-3460	RG174A/U, 188A/U, 316/U, KX3B, KX22A	
1 PLC ± -		APPLICATION SPEC 411-3276	SIZE A3	CAGE CODE 00779
2 PLC ± -		WEIGHT -	DRAWING NO C-1478916	
3 PLC ± -			RESTRICTED TO -	
4 PLC ± -			SCALE 1:1 SHEET 1 OF 1 REV A	
ANGLES ± -				
FINISH -				
MATERIAL SEE TABLE		CUSTOMER DRAWING		