

THIS DRAWING IS UNPUBLISHED.

RELEASED FOR PUBLICATION

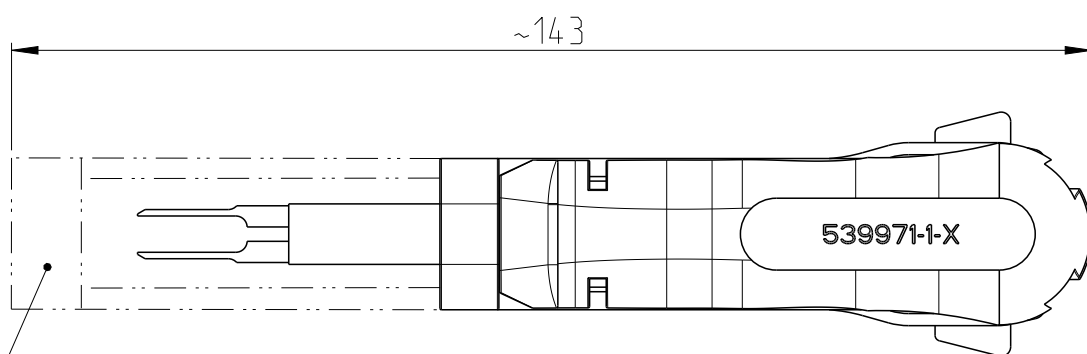
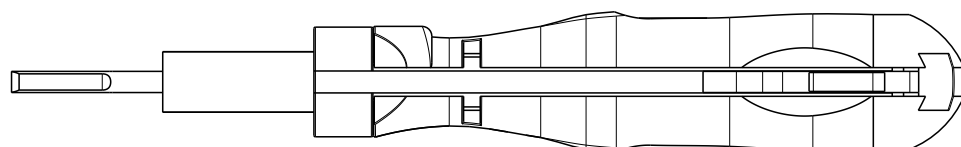
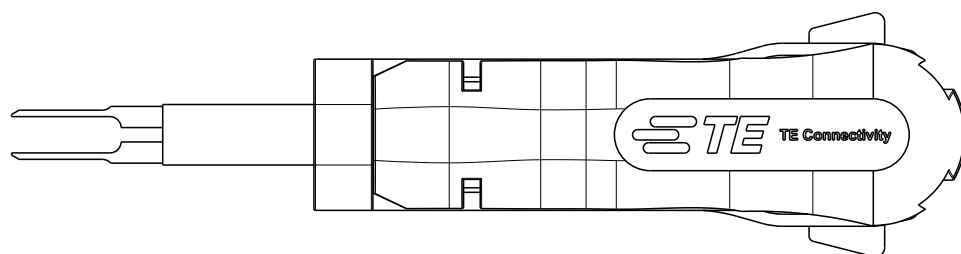
20

© COPYRIGHT 20 BY -

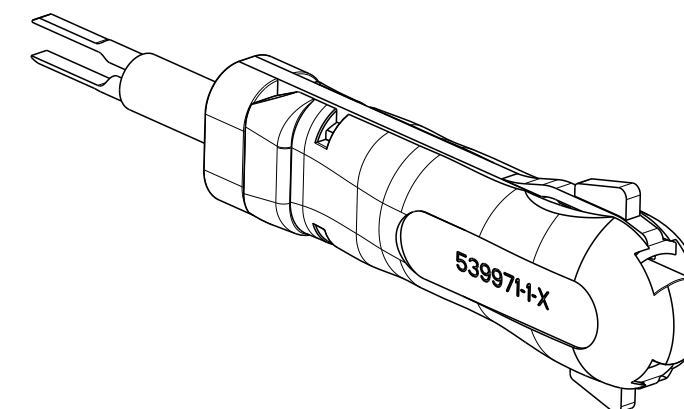
ALL RIGHTS RESERVED.

REVISIONS

P	LTR	DESCRIPTION	DATE	DWN	APVD
	A2	ECR-18-014333	11SEP2018	KH	BM



COVER SLIDE  
Schutzschieber



FOR CONTACTS : AMP MCP 9.5

(REPLACEMENT FOR TOOL 1241573-1)

THIS DRAWING IS A CONTROLLED DOCUMENT.

DWN J. ZAJICEK 14APR2003

CHK -

APVD -

PRODUCT SPEC -

APPLICATION SPEC -

WEIGHT -

CUSTOMER DRAWING

DIMENSIONS:

mm



TOLERANCES UNLESS OTHERWISE SPECIFIED:

- 0 PLC ±
- 1 PLC ±
- 2 PLC ±
- 3 PLC ±
- 4 PLC ±
- ANGLES ±

MATERIAL -

FINISH -



TE Connectivity

NAME  
EXTRACTION TOOL  
Entriegelungswerkzeug

SIZE	CAGE CODE	DRAWING NO	RESTRICTED TO
A3	00779	539971-1	

SCALE	SHEET	OF	REV
5:1	1	1	A2