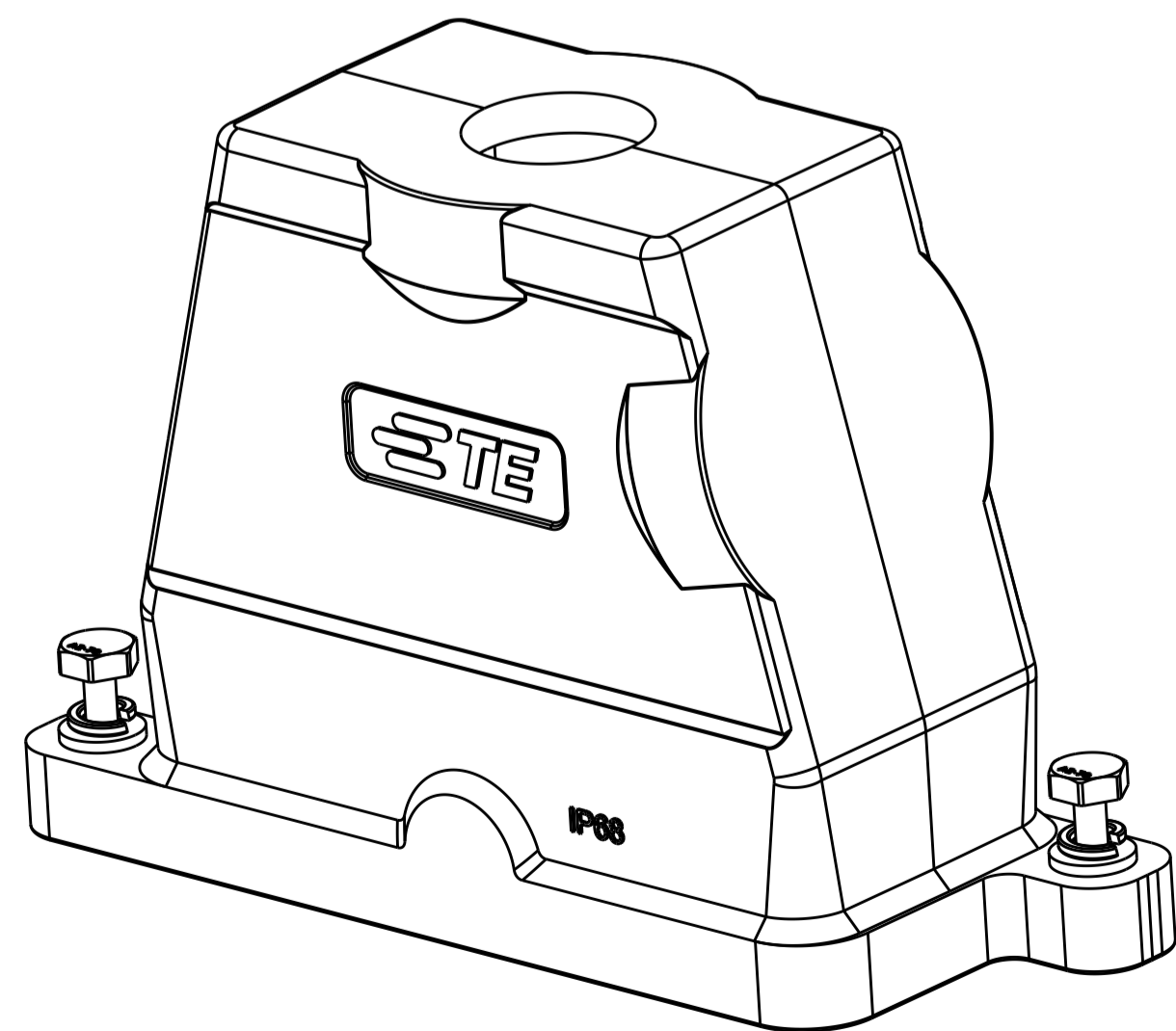
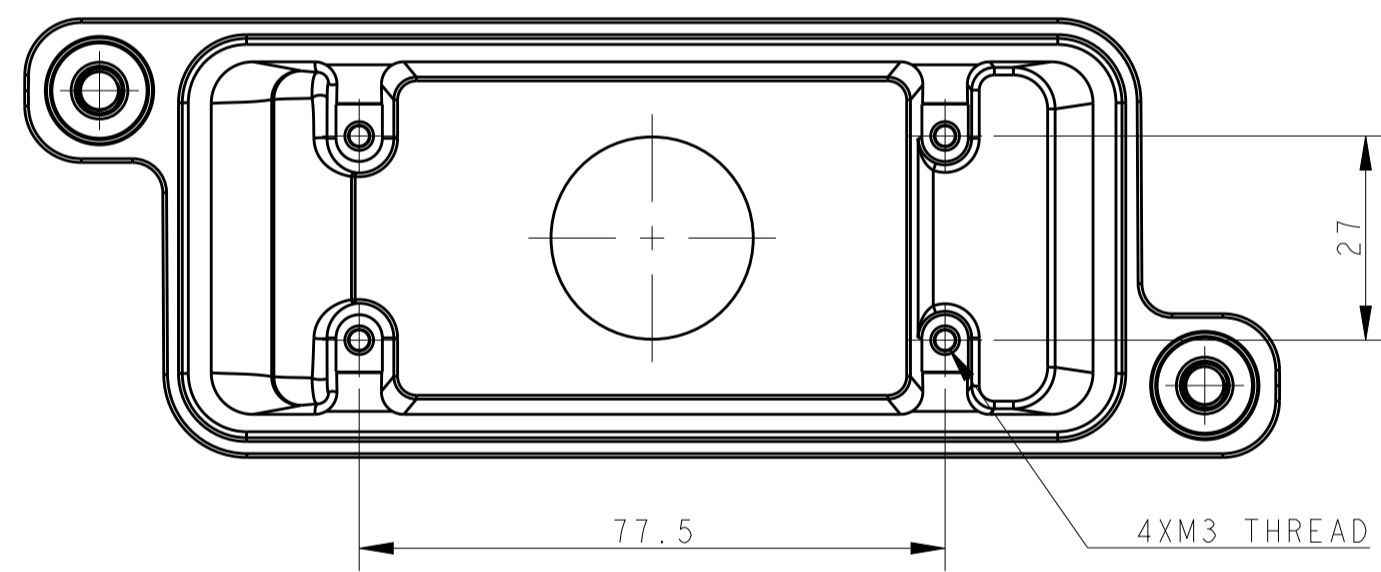
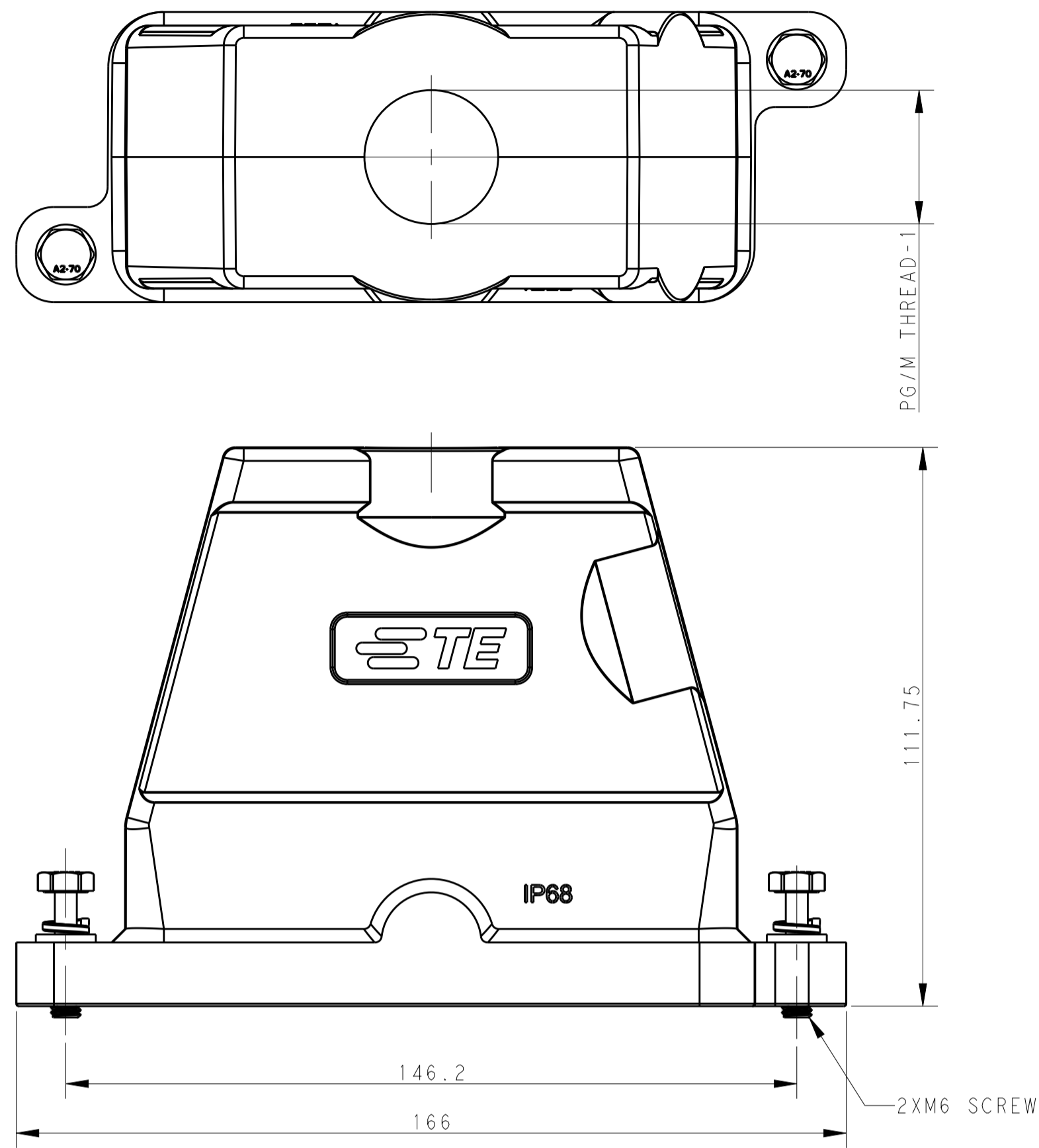


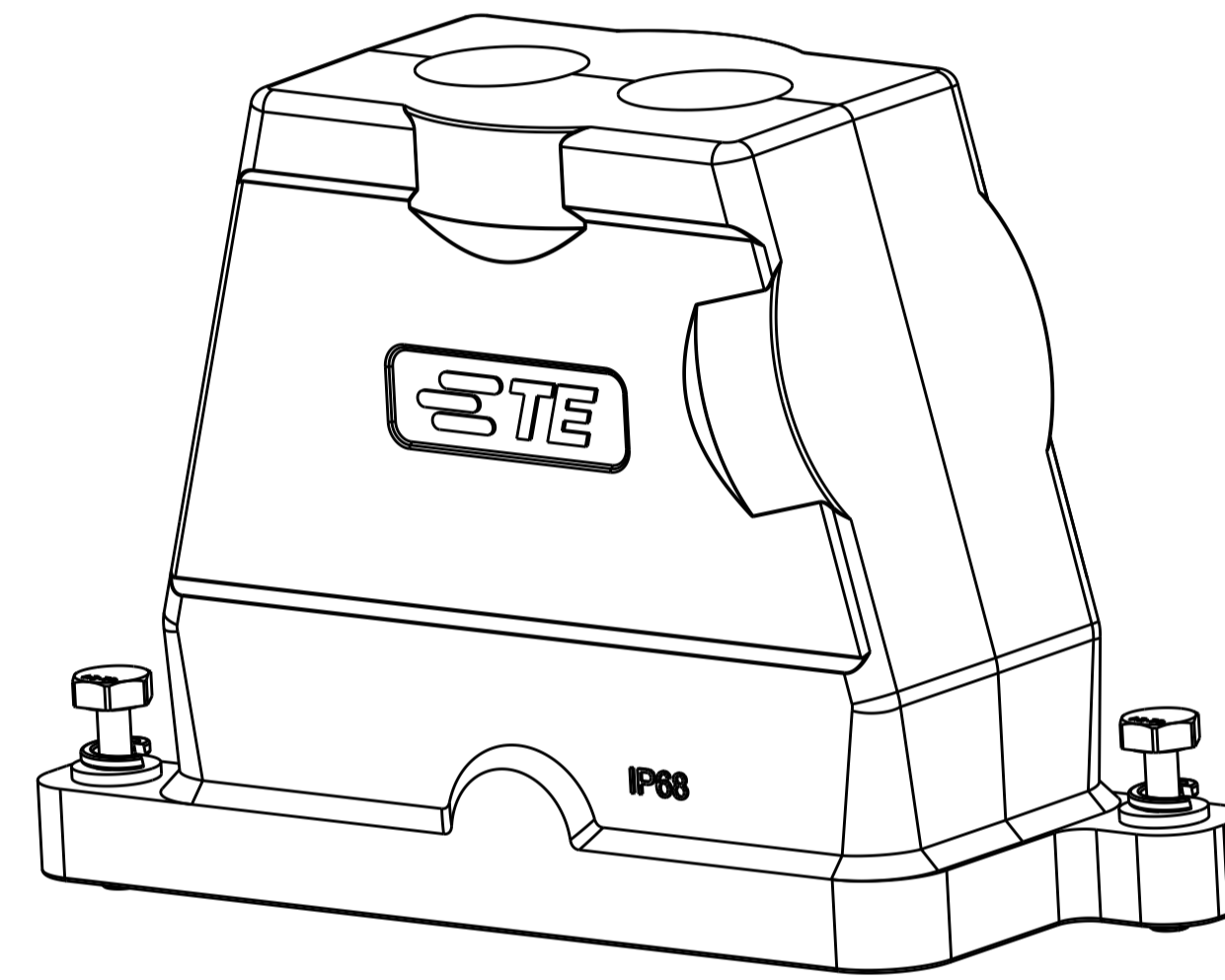
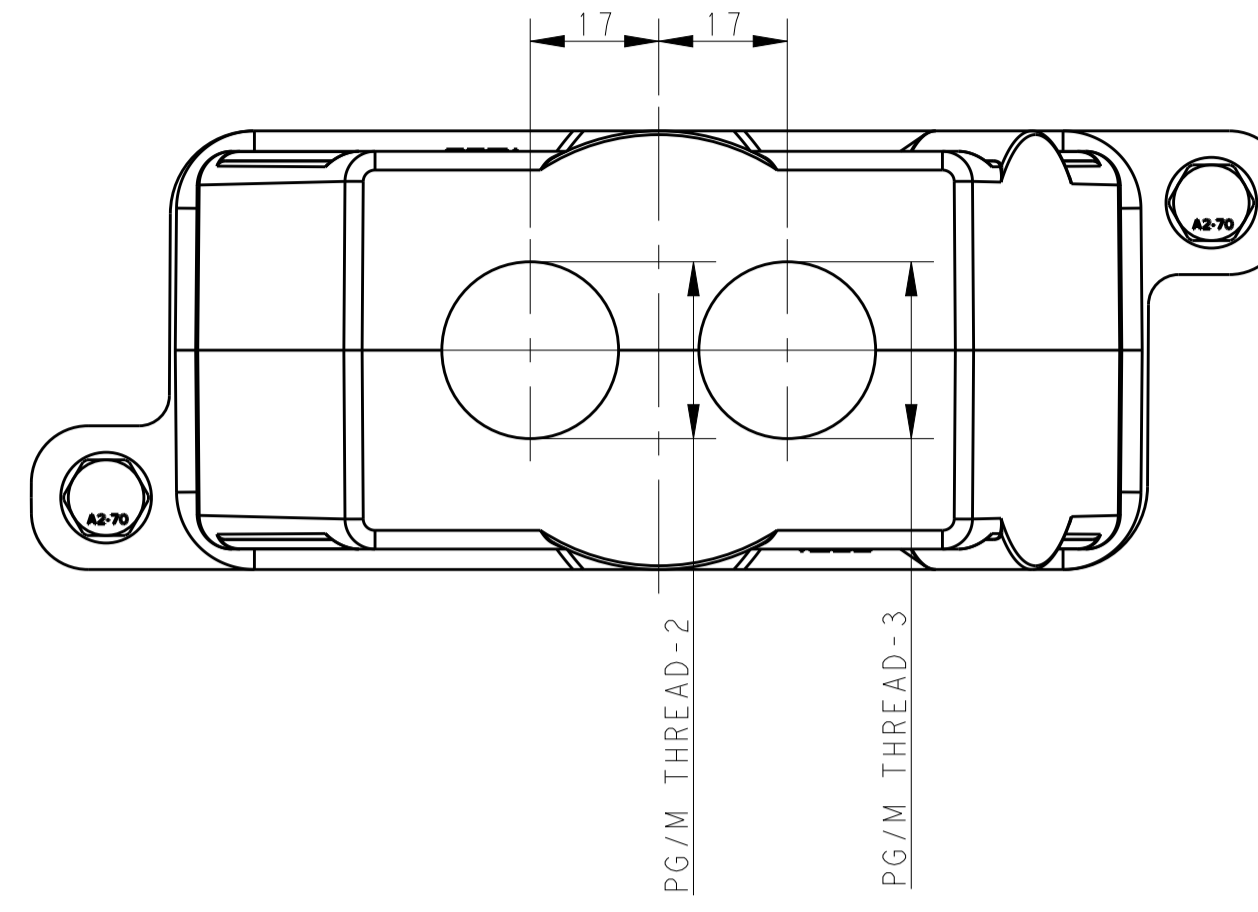
TYPE 1
类型 1

Single PG/M thread: 单个PG/M螺纹孔



TYPE 2
类型 2

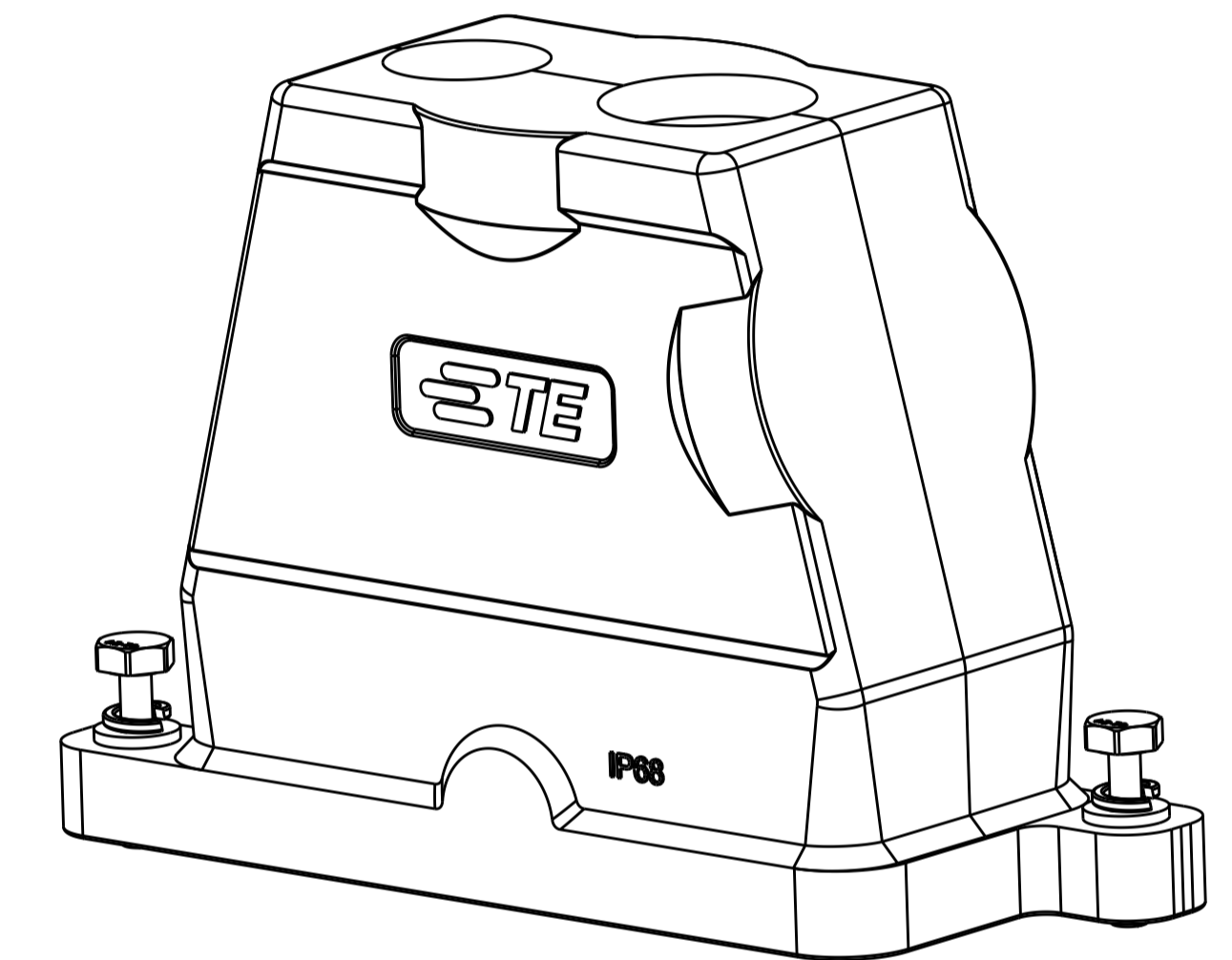
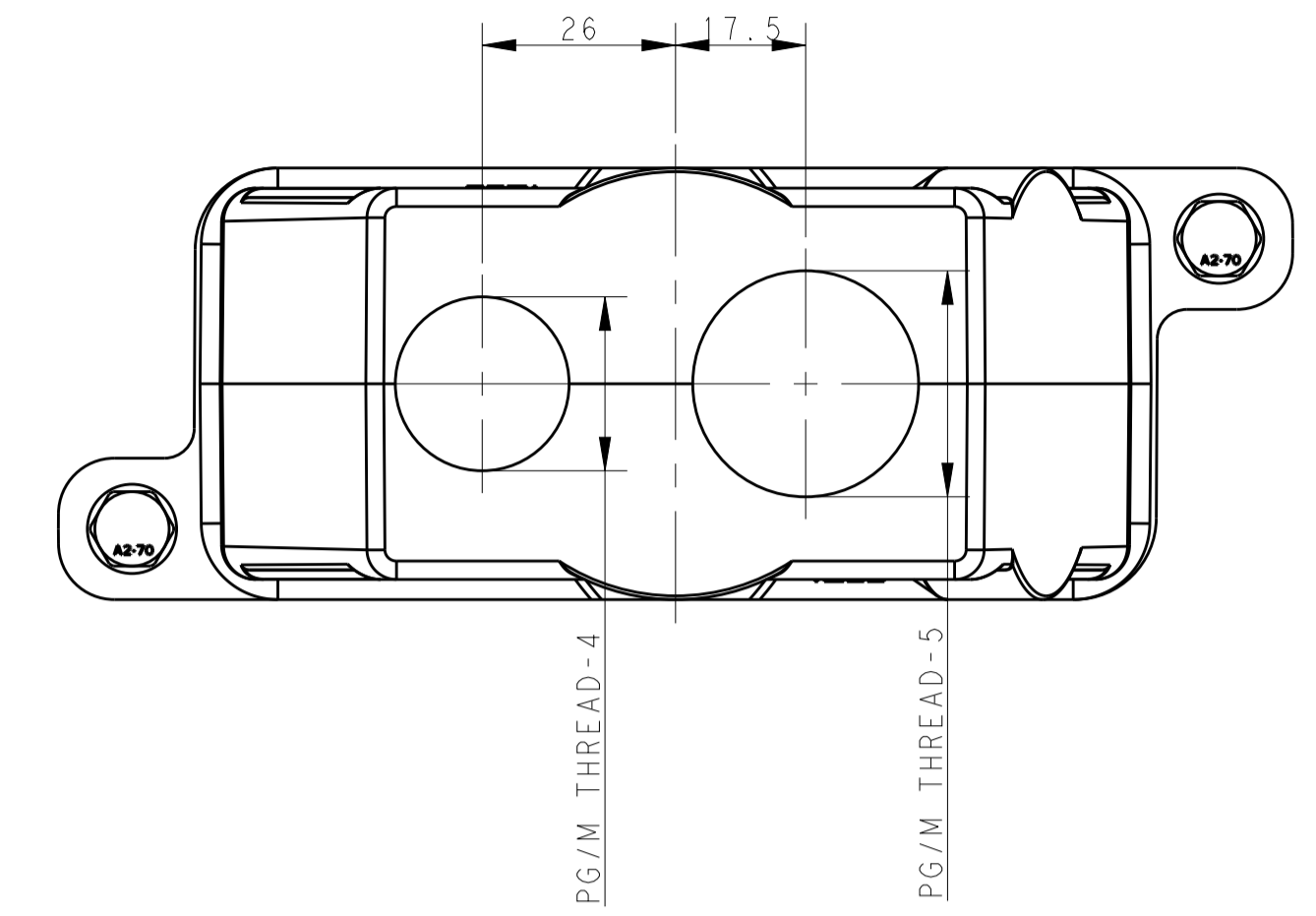
Two PG/M threads: 两个PG/M螺纹孔



All dimension is same as TYPE 1, except those defined in this TYPE
除了在本类型中定义的尺寸外, 其他尺寸同类型 1

TYPE 3
类型 3

Two PG/M threads: 两个PG/M螺纹孔

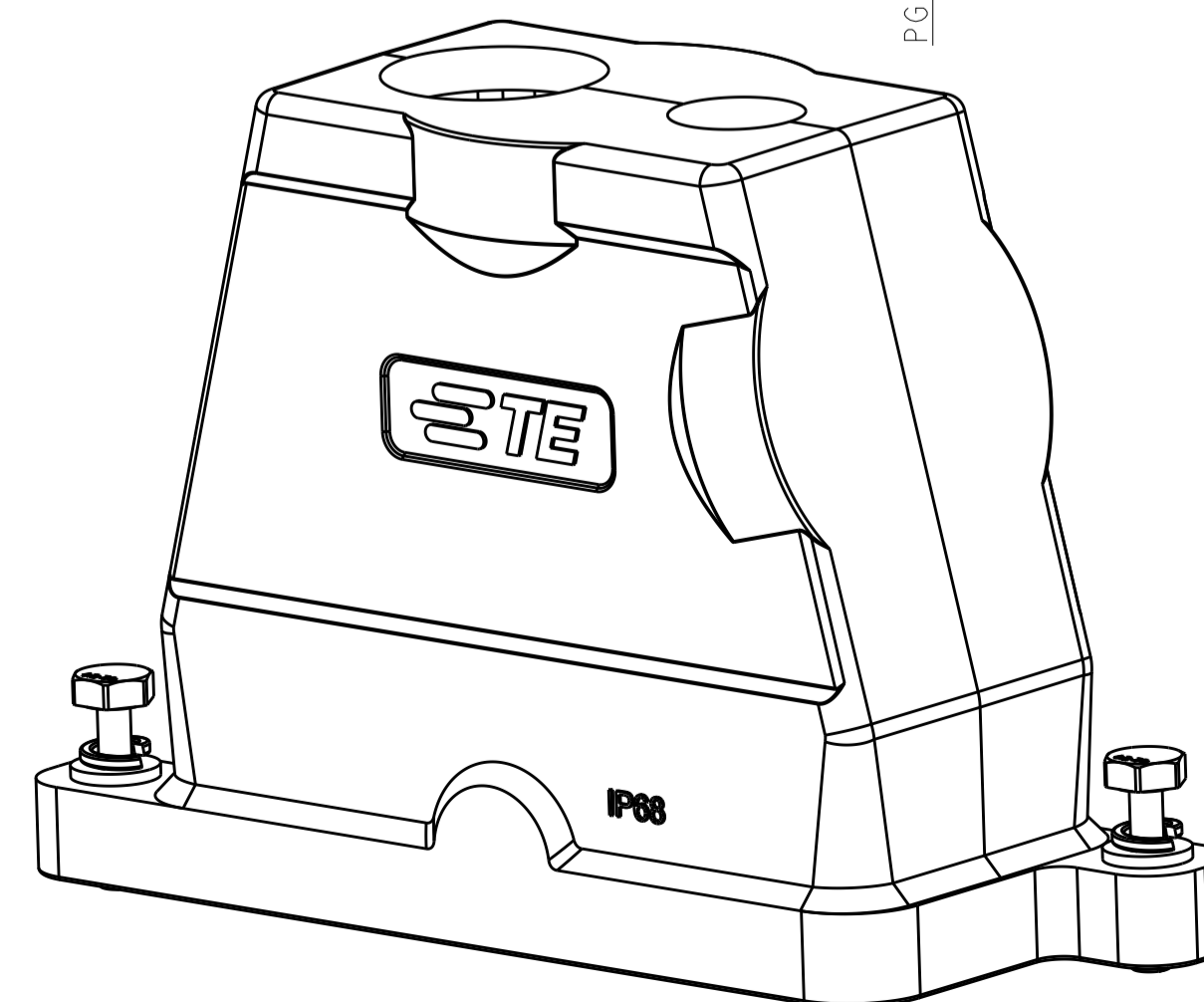
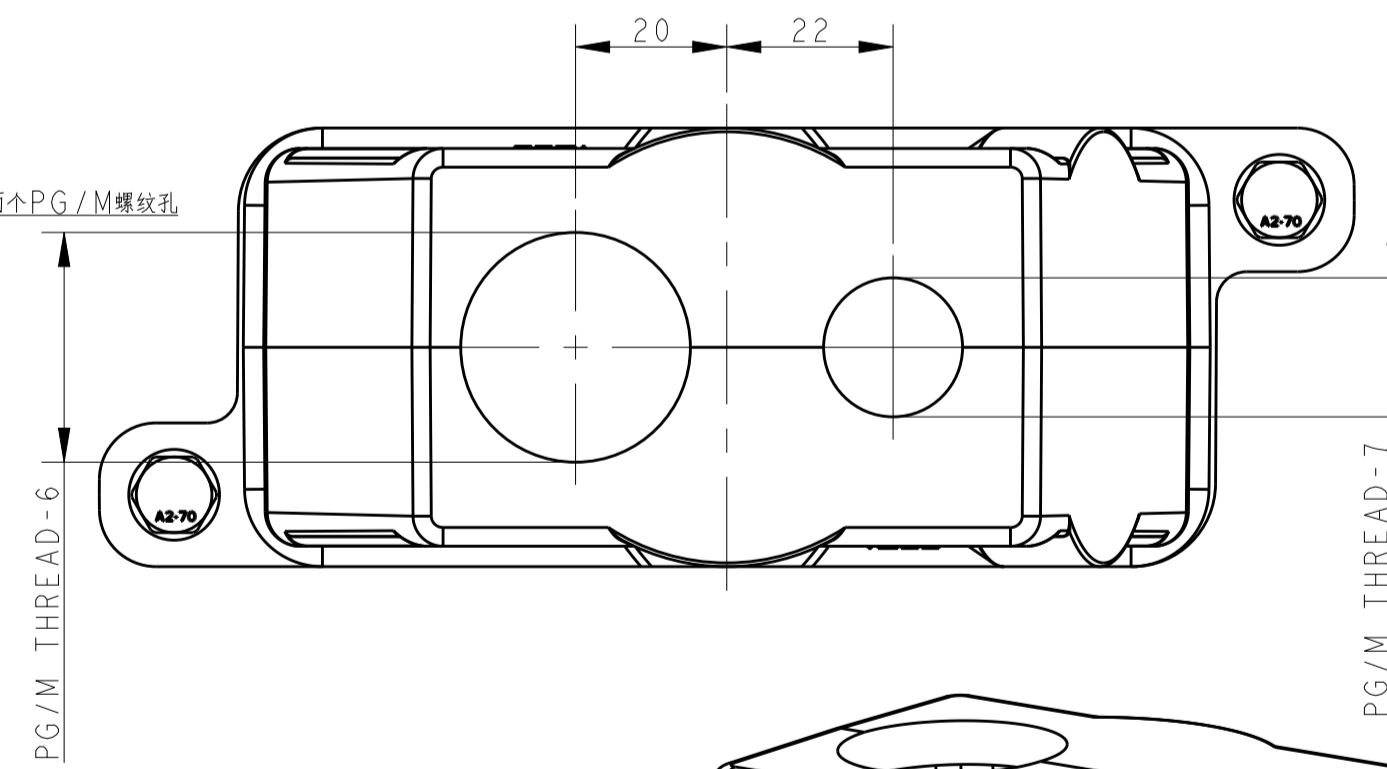


All dimension is same as TYPE 1, except those defined in this TYPE
除了在本类型中定义的尺寸外, 其他尺寸同类型 1

REVISIONS				
P	LTN	DESCRIPTION	DATE	OWN APVD
A		INITIAL RELEASE	11JUN2015	GY CW
A1		ECR-18-011763	19JUL2018	CD CW
A2		ECR-18-013704	30AUG2018	RG CW

TYPE 4
类型 4

Two PG/M threads: 两个PG/M螺纹孔



All dimension is same as TYPE 1, except those defined in this TYPE
除了在本类型中定义的尺寸外, 其他尺寸同类型 1

NOTES:
1. TECHNICAL CHARACTERISTICS:
HOOD MATERIAL: DIE CAST ALUMINIUM ALLOY
SURFACE TREATMENT: SEE TABLE
DEGREE OF PROTECTION: IP68 (MATED)

注释:
1. 技术参数:
壳体材料: 铝合金
表面处理: 见表格
防护等级: IP68 (配合)

THIS DRAWING IS A CONTROLLED DOCUMENT.		OWN: Gino_Yao 11JUN2015	TE Connectivity NAME: H16BPR-TGH-PG/M
DIMENSIONS: mm		CHK: Chris_Yao 11JUN2015	
TOLERANCES UNLESS OTHERWISE SPECIFIED:		APVD: Yiqiao_Yu 11JUN2015	PRODUCT SPEC
0 PLC ±		108-137014	
1 PLC ±		APPLICATION SPEC	
2 PLC ±		114-137014	
3 PLC ±		WEIGHT	
4 PLC ±		Customer Drawing	
ANGLES ±		SCALE 1:1	
FINISH		SHEET 1 OF 2	
MATERIAL		REV A2	

REVISIONS				
P.	LTN	DESCRIPTION	DATE	APPD
-	-	SEE SHEET 1	-	-

NOTES:
SEE SHEET 1
备注:
见表格 1

PART NUMBER	PART DESCRIPTION	PG/M THREAD-7	PG/M THREAD-6	PG/M THREAD-5	PG/M THREAD-4	PG/M THREAD-3	PG/M THREAD-2	PG/M THREAD-1	TYPE
T1920163220-000	H16BPR-TGH-M32/M20 H16BPR HOOD,DIAGONAL LOCKING, TOP ENTRY M32-M20, POWDER COATED, BLACK H16BPR上壳, 对角锁定, 顶出M32-M20, 黑色粉末喷涂	M20	M32	-	-	-	-	-	TYPE 4 类型4
T1920163225-000	H16BPR-TGH-M32/M25 H16BPR HOOD,DIAGONAL LOCKING, TOP ENTRY M32-M25, POWDER COATED, GREY H16BPR上壳, 对角锁定, 顶出M32-M25, 灰色粉末喷涂	-	-	M32	M25	-	-	-	TYPE 3 类型3
T1920162520-000	H16BPR-TGH-M25/M20 H16BPR HOOD,DIAGONAL LOCKING, TOP ENTRY M25-M20, POWDER COATED, BLACK H16BPR上壳, 对角锁定, 顶出M25-M20, 黑色粉末喷涂	-	-	-	-	M20	M25	-	TYPE 2 类型2
T1920162516-000	H16BPR-TGH-M25/M16 H16BPR HOOD,DIAGONAL LOCKING, TOP ENTRY M25-M16, POWDER COATED, BLACK H16BPR上壳, 对角锁定, 顶出M25-M16, 黑色粉末喷涂	-	-	-	-	M16	M25	-	
T1920161225-000	H16BPR-TGH-2M25 H16BPR HOOD,DIAGONAL LOCKING, TOP ENTRY 2M25, POWDER COATED, SILVER WHITE H16BPR上壳, 对角锁定, 顶出2M25, 银白色粉末喷涂	-	-	-	-	M25	M25	-	TYPE 1 类型1
T1920160225-000	H16BPR-TGH-2M25 H16BPR HOOD,DIAGONAL LOCKING, TOP ENTRY 2M25, POWDER COATED, BLACK H16BPR上壳, 对角锁定, 顶出2M25, 黑色粉末喷涂	-	-	-	-	M25	M25	-	
T1920161140-000	H16BPR-TGH-M40 H16BPR HOOD,DIAGONAL LOCKING, TOP ENTRY M40, POWDER COATED, SILVER WHITE H16BPR上壳, 对角锁定, 顶出M40, 银白色粉末喷涂	-	-	-	-	-	-	M40	
T1920161136-000	H16BPR-TGH-PG36 H16BPR HOOD,DIAGONAL LOCKING, TOP ENTRY PG36, POWDER COATED, SILVER WHITE H16BPR上壳, 对角锁定, 顶出PG36, 银白色粉末喷涂	-	-	-	-	-	-	PG36	
T1920161132-000	H16BPR-TGH-M32 H16BPR HOOD,DIAGONAL LOCKING, TOP ENTRY M32, POWDER COATED, SILVER WHITE H16BPR上壳, 对角锁定, 顶出M32, 银白色粉末喷涂	-	-	-	-	-	-	M32	
T1920161129-000	H16BPR-TGH-PG29 H16BPR HOOD,DIAGONAL LOCKING, TOP ENTRY PG29, POWDER COATED, SILVER WHITE H16BPR上壳, 对角锁定, 顶出PG29, 银白色粉末喷涂	-	-	-	-	-	-	PG29	
T1920161125-000	H16BPR-TGH-M25 H16BPR HOOD,DIAGONAL LOCKING, TOP ENTRY M25, POWDER COATED, SILVER WHITE H16BPR上壳, 对角锁定, 顶出M25, 银白色粉末喷涂	-	-	-	-	-	-	M25	
T1920161121-000	H16BPR-TGH-PG21 H16BPR HOOD,DIAGONAL LOCKING, TOP ENTRY PG21, POWDER COATED, SILVER WHITE H16BPR上壳, 对角锁定, 顶出PG21, 银白色粉末喷涂	-	-	-	-	-	-	PG21	
T1920160140-000	H16BPR-TGH-M40 H16BPR HOOD,DIAGONAL LOCKING, TOP ENTRY M40, POWDER COATED, BLACK H16BPR上壳, 对角锁定, 顶出M40, 黑色粉末喷涂	-	-	-	-	-	-	M40	
T1920160136-000	H16BPR-TGH-PG36 H16BPR HOOD,DIAGONAL LOCKING, TOP ENTRY PG36, POWDER COATED, BLACK H16BPR上壳, 对角锁定, 顶出PG36, 黑色粉末喷涂	-	-	-	-	-	-	PG36	
T1920160132-000	H16BPR-TGH-M32 H16BPR HOOD,DIAGONAL LOCKING, TOP ENTRY M32, POWDER COATED, BLACK H16BPR上壳, 对角锁定, 顶出M32, 黑色粉末喷涂	-	-	-	-	-	-	M32	
T1920160129-000	H16BPR-TGH-PG29 H16BPR HOOD,DIAGONAL LOCKING, TOP ENTRY PG29, POWDER COATED, BLACK H16BPR上壳, 对角锁定, 顶出PG29, 黑色粉末喷涂	-	-	-	-	-	-	PG29	
T1920160125-000	H16BPR-TGH-M25 H16BPR HOOD,DIAGONAL LOCKING, TOP ENTRY M25, POWDER COATED, BLACK H16BPR上壳, 对角锁定, 顶出M25, 黑色粉末喷涂	-	-	-	-	-	-	M25	
T1920160121-000	H16BPR-TGH-PG21 H16BPR HOOD,DIAGONAL LOCKING, TOP ENTRY PG21, POWDER COATED, BLACK H16BPR上壳, 对角锁定, 顶出PG21, 黑色粉末喷涂	-	-	-	-	-	-	PG21	

THIS DRAWING IS A CONTROLLED DOCUMENT.		DWN Gino.Yao 11JUN2015		 TE Connectivity	
DIMENSIONS:		TOLERANCES UNLESS OTHERWISE SPECIFIED:			
mm		0 PLC ±		NAME H16BPR-TGH-PG/M	
		1 PLC ±		PRODUCT SPEC	
		2 PLC ±		108-137014	
MATERIAL		3 PLC ±		APPLICATION SPEC	
FINISH		4 PLC ±		SIZE A1	
ANGLES		±		CAGE CODE T192016XXXXX00	
WEIGHT		Customer Drawing		SCALE 1:1	
RESTRICTED TO		SHEET 2		OF 2	
REV		A2		REV	