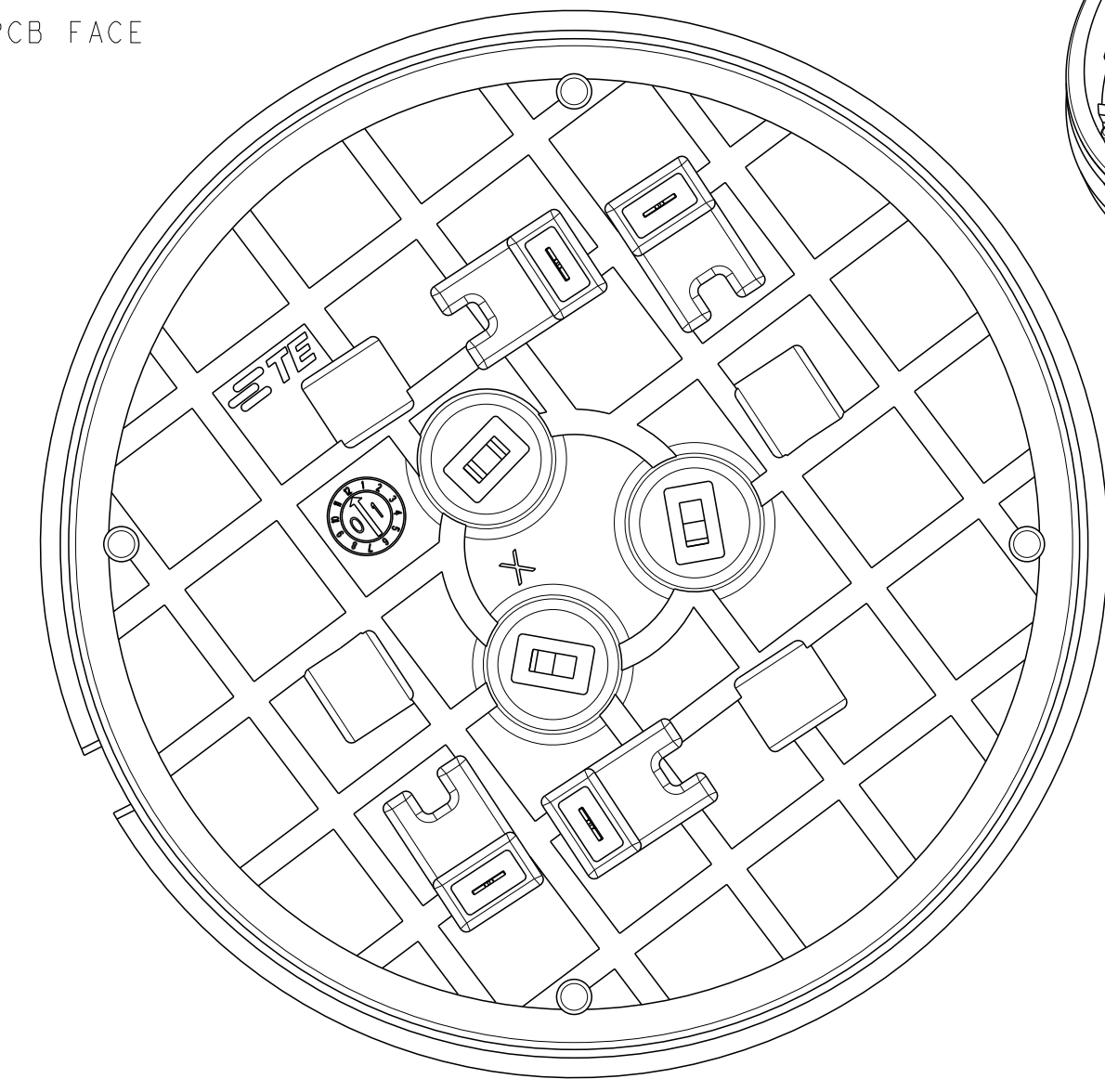
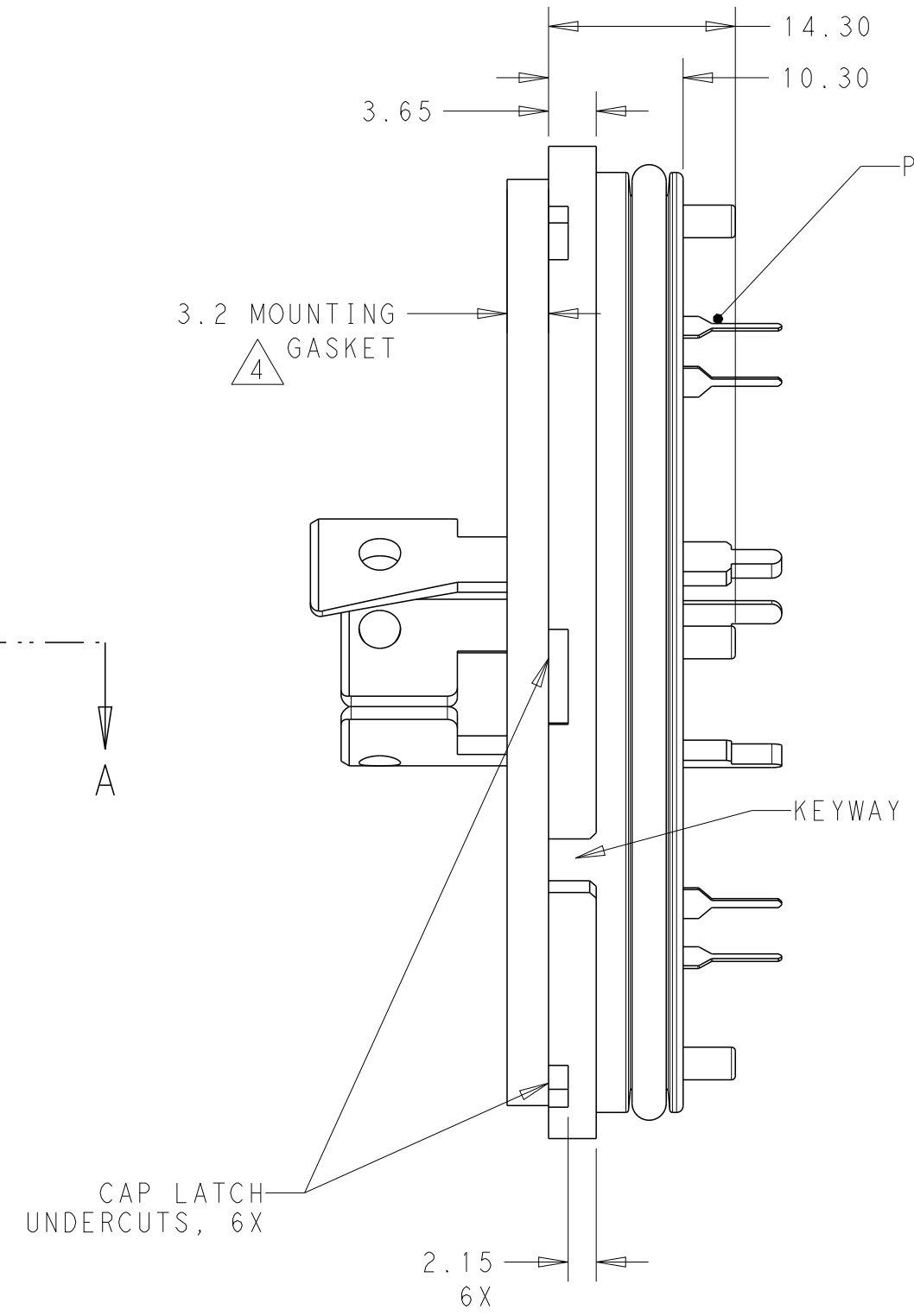
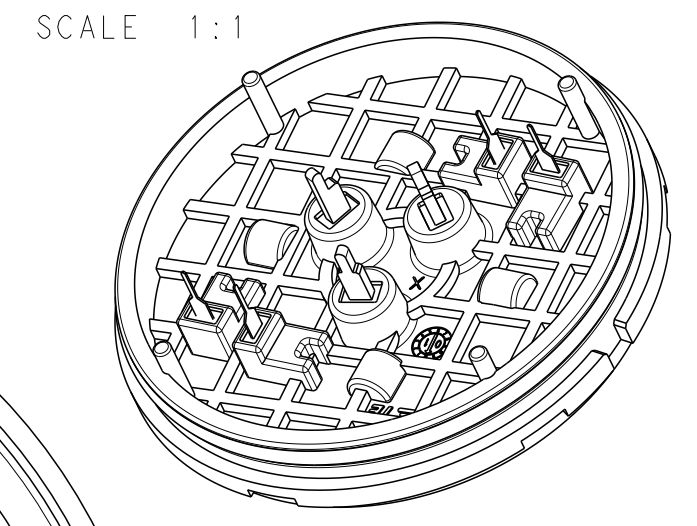
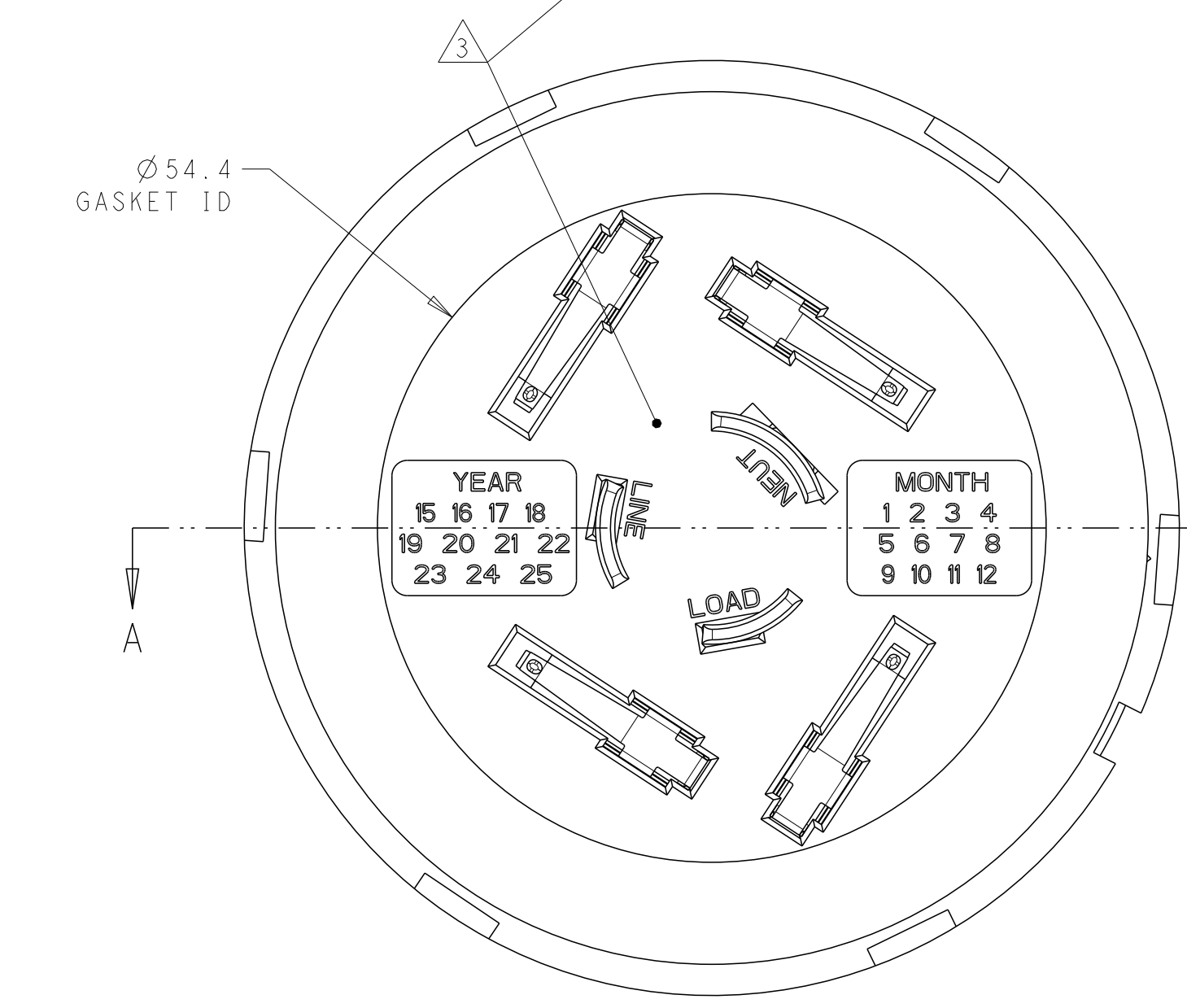
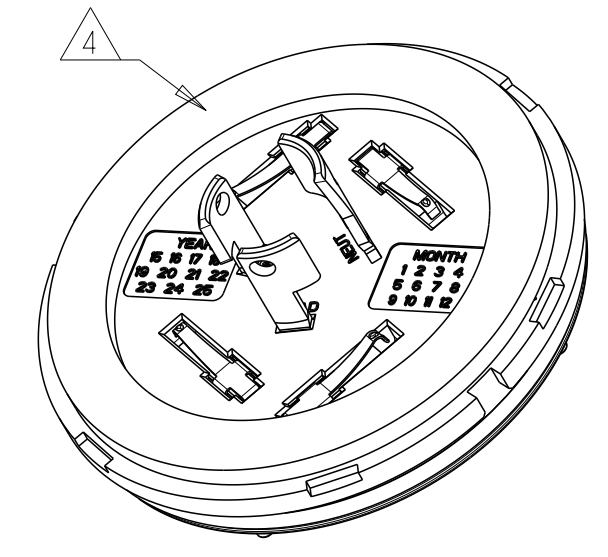
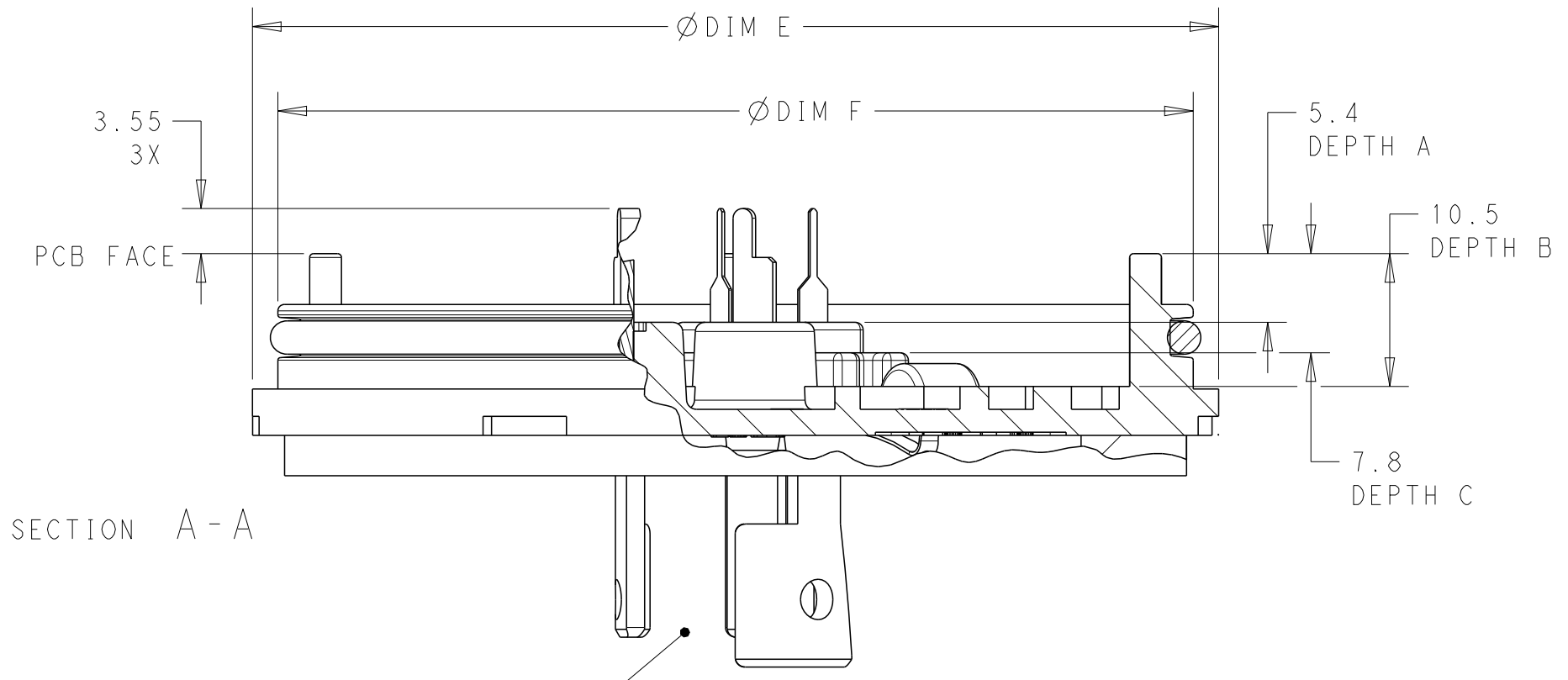


THIS DRAWING IS UNPUBLISHED. RELEASED FOR PUBLICATION 20
 © COPYRIGHT 20 BY - ALL RIGHTS RESERVED.

REVISONS		DATE	DWN	APVD
P	LTR	DESCRIPTION		
A2		REVISED PER ECR-16-010573	RS	DD
A3		REVISED PER ECR-16-012776	RS	PO
A4		REVISED PER ECR-16-016318	RS	PO
A5		REVISED PER ECR-17-016176	RK	PO

NOTES:

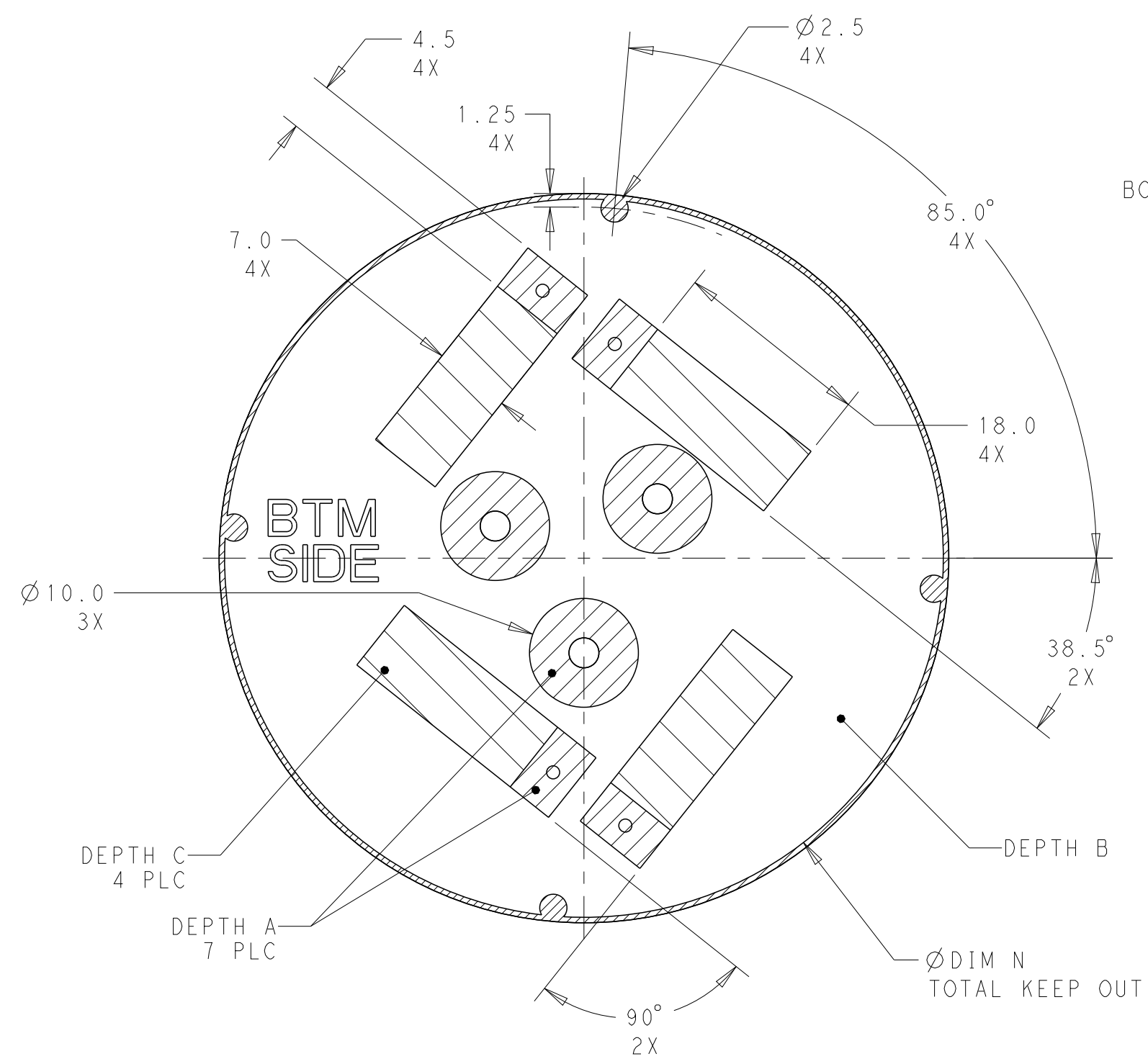
- 1 MATERIALS:
 HOUSING: PBT
 DIMMING CONTACTS (QTY. 4): COPPER ALLOY
 LINE VOLTAGE CONTACTS (QTY. 3): COPPER ALLOY
 GASKET: VINYL/NITRILE FOAM
 O-RING: SILICONE RUBBER
- 2 FINISH:
 DIMMING CONTACTS: NICKEL UNDERPLATE ENTIRE
 CONTACT 0.127 µm MIN THICK. SELECTIVE GOLD PLATE CONTACT
 MATING AREA (MATING FACE SIDE ONLY) 0.76 µm MIN THICK.
 MATTE TIN PLATE TAB ON BOTH SIDES 0.30 µm MIN THICK.
 LINE VOLTAGE CONTACTS: MATTE TIN PLATE
- 3 MATING INTERFACE PER ANSI C136.41-2013.
- 4 ADHESIVE BACKED GASKET SUPPLIED BUT NOT INSTALLED
- 5 MATING CAP TE P/N: 2213748-X
- 6 NOTE DELETED.
- 7. THIS PRODUCT HAS NOT COMPLETED VALIDATION TESTING.



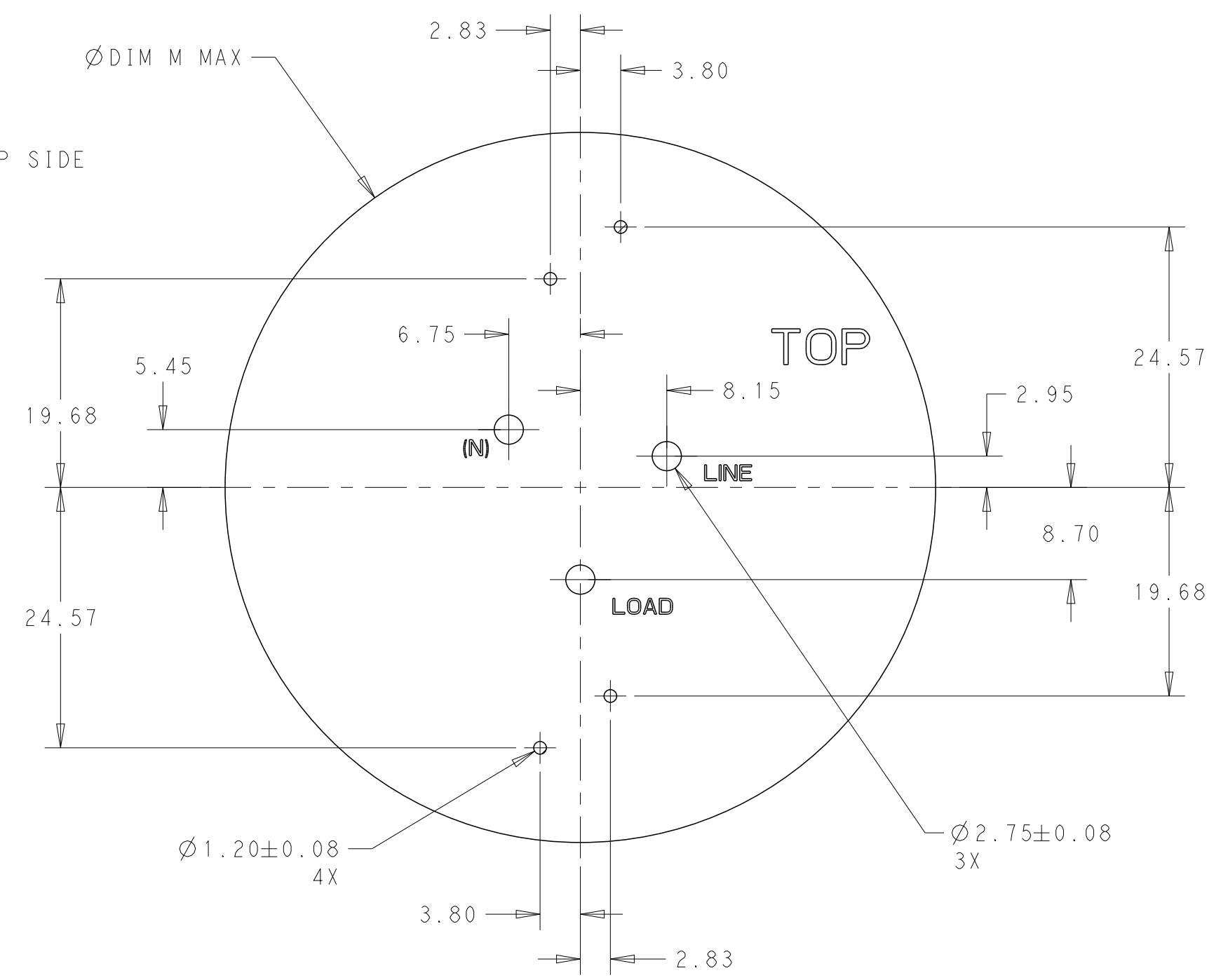
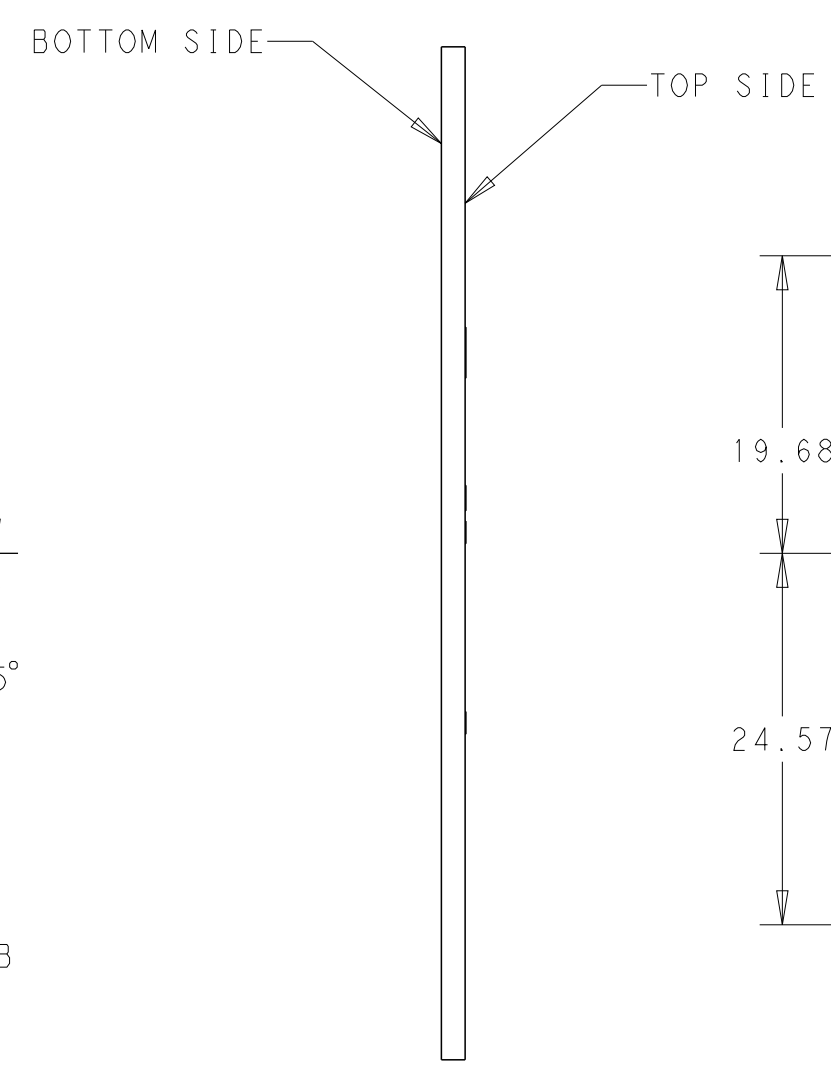
Ø77.00	Ø73.00	Ø66.00	Ø69.00	Ø72.00	Ø76.00	2213730-1
DIM Y	DIM X	DIM N	DIM M	DIM F	DIM E	PART NO.
THIS DRAWING IS A CONTROLLED DOCUMENT.		DWN C DAILY	28SEP2015	TE Connectivity NAME BASE ASSEMBLY, LIGHT CONTROLLER		
DIMENSIONS: mm		CHK E HOWARD	28SEP2015			
TOLERANCES UNLESS OTHERWISE SPECIFIED:		APVD	-	PRODUCT SPEC	108-32125	
0 PLC ±		-		APPLICATION SPEC	114-32159	
1 PLC ±0.2		-		WEIGHT	-	
2 PLC ±0.13		-		SIZE	A2	
3 PLC ±		-		CAGE CODE	-	
4 PLC ±		-		DRAWING NO	G-2213730	
ANGLES ±3°		-		RESTRICTED TO	-	
FINISH		-		CUSTOMER DRAWING	SCALE 2:1 SHEET 1 OF 3 REV A5	

THIS DRAWING IS UNPUBLISHED. RELEASED FOR PUBLICATION 20
 © COPYRIGHT 20 BY - ALL RIGHTS RESERVED.

LOC		DIST		REVISIONS			
P	LTR	DESCRIPTION		DATE	DWN	APVD	
-	-	SEE SHEET 1		-	-	-	



COMPONENT KEEP OUT AREAS

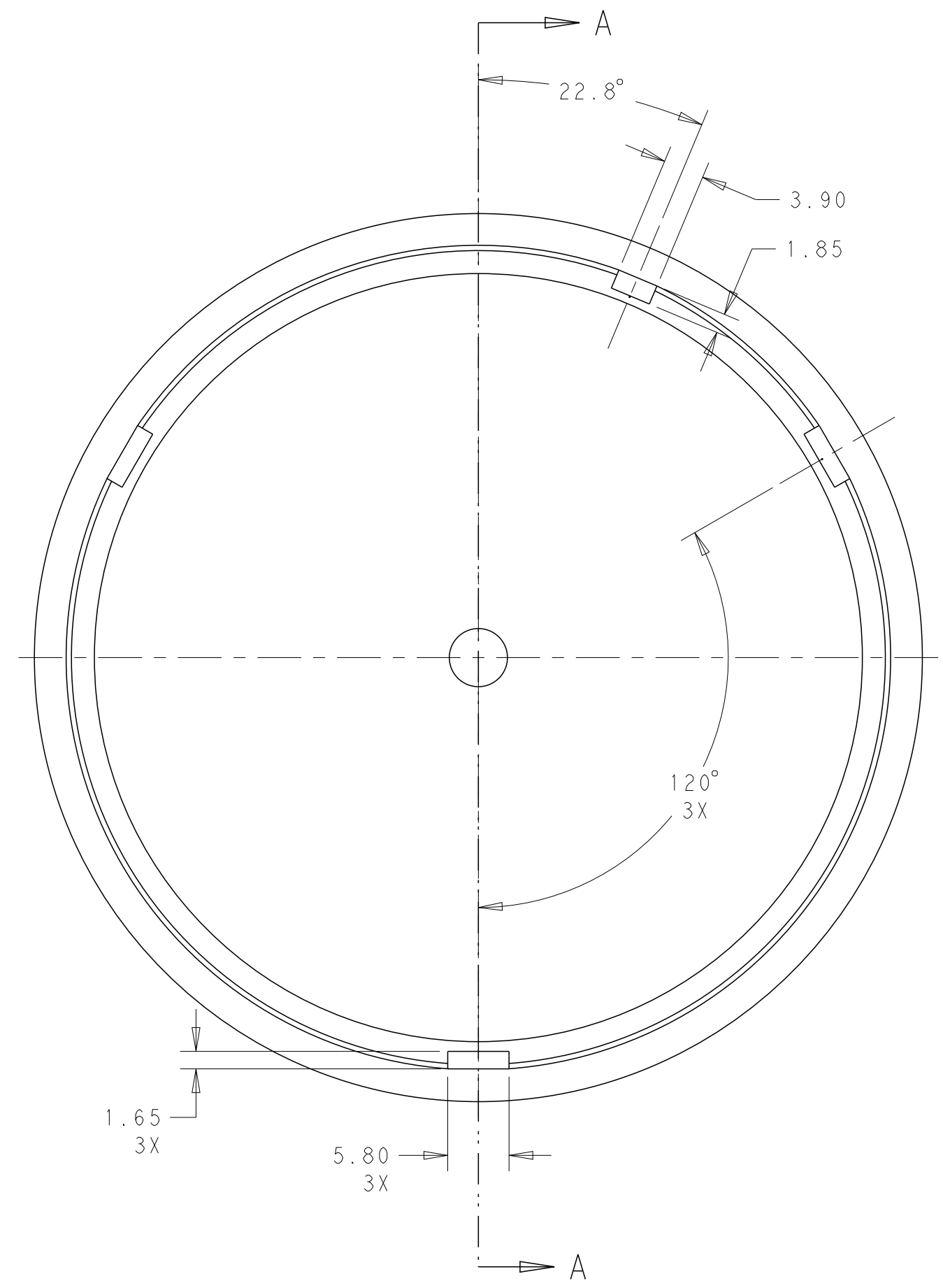
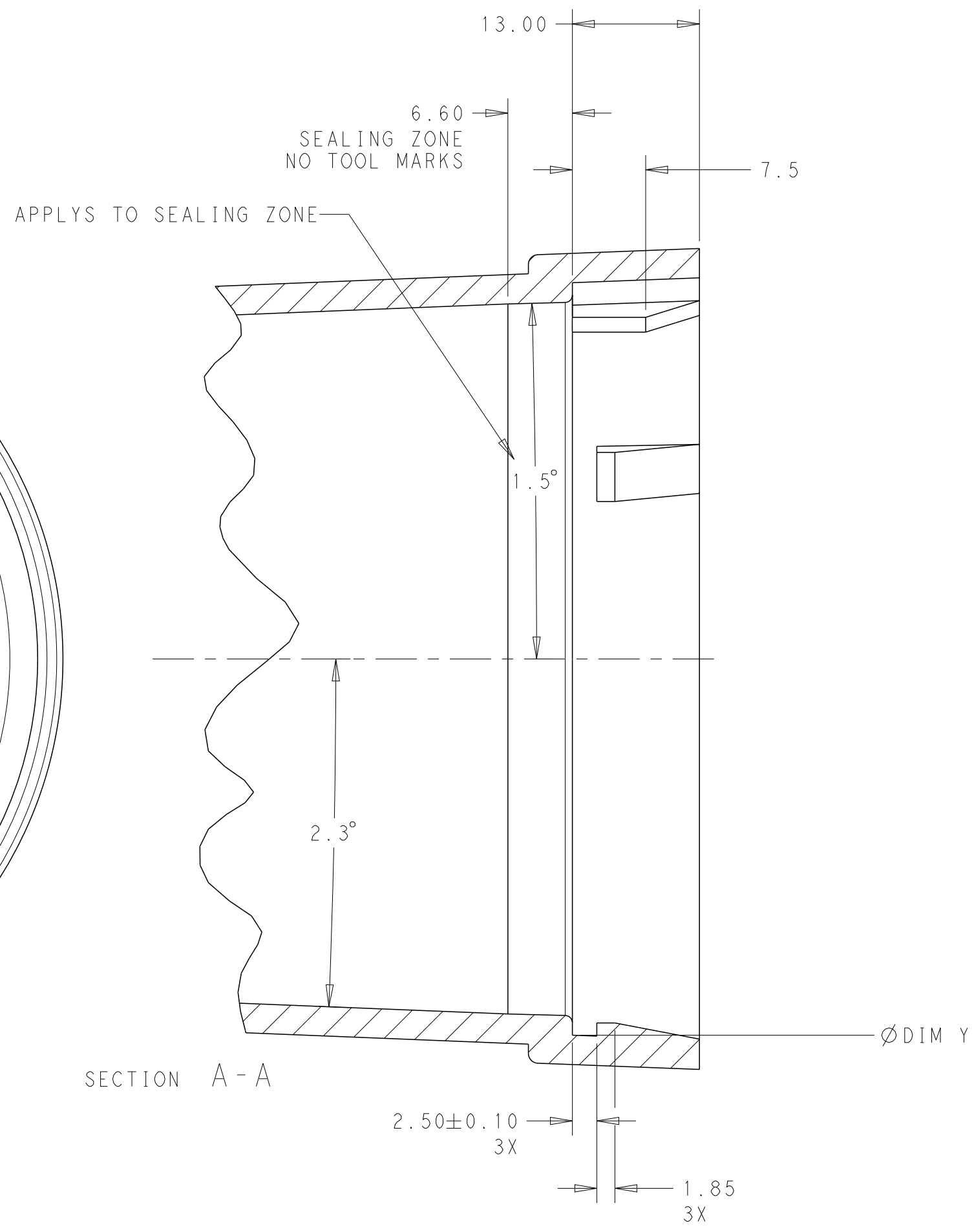
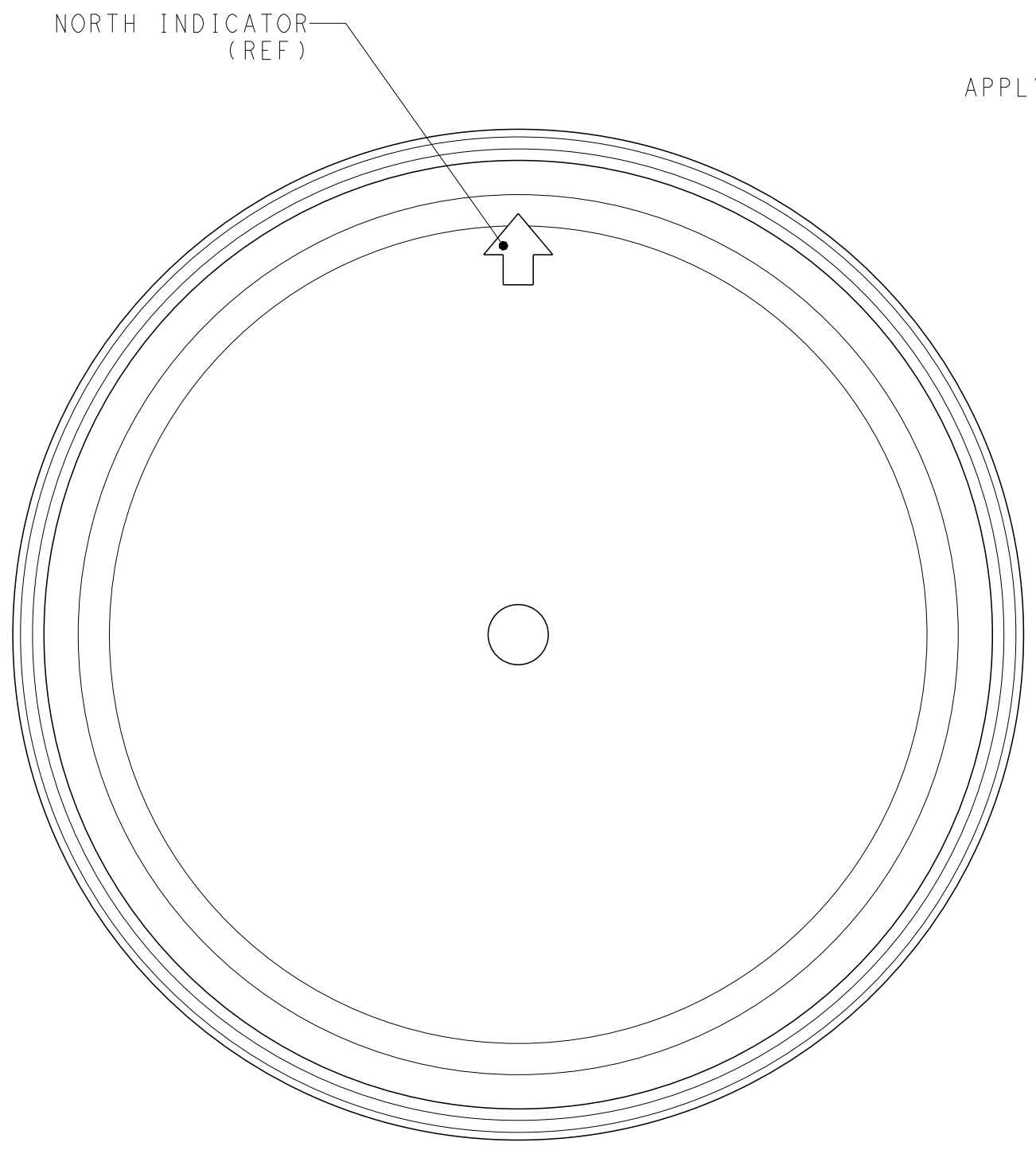


RECOMMENDED PCB SCALE 2:1

THIS DRAWING IS A CONTROLLED DOCUMENT.		DWN C. DAILY 28SEP2015	TE Connectivity	
		CHK E. HOWARD 28SEP2015		
DIMENSIONS: mm		APVD -		NAME BASE ASSEMBLY, LIGHT CONTROLLER
TOLERANCES UNLESS OTHERWISE SPECIFIED: 0 PLC ± 1 PLC ±0.2 2 PLC ±0.13 3 PLC ± 4 PLC ± ANGLES ±3° FINISH		PRODUCT SPEC 108-32125		SIZE A2
MATERIAL -		APPLICATION SPEC 114-32159		CAGE CODE -
		WEIGHT -		DRAWING NO C-2213730
		CUSTOMER DRAWING		RESTRICTED TO -
		SCALE 1:1		SHEET 2 OF 3
				REV A5

THIS DRAWING IS UNPUBLISHED. RELEASED FOR PUBLICATION 20
 © COPYRIGHT 20 BY - ALL RIGHTS RESERVED.

LOC		DIST		REVISIONS			
P	LTR	DESCRIPTION		DATE	DWN	APVD	
-	-	SEE SHEET 1		-	-	-	



MATING CAP DIMENSIONS $\triangle 5$

THIS DRAWING IS A CONTROLLED DOCUMENT.		DWN C. DAILY 28SEP2015	TE Connectivity	
		CHK E. HOWARD 28SEP2015		
DIMENSIONS: mm		TOLERANCES UNLESS OTHERWISE SPECIFIED: 0 PLC ± 1 PLC ±0.2 2 PLC ±0.13 3 PLC ± 4 PLC ± ANGLES ±3° FINISH -		NAME BASE ASSEMBLY, LIGHT CONTROLLER
MATERIAL -		PRODUCT SPEC 108-32125 APPLICATION SPEC 114-32159 WEIGHT -		SIZE A2 CAGE CODE - DRAWING NO C-2213730 RESTRICTED TO -
		CUSTOMER DRAWING		SCALE 2:1 SHEET 3 OF 3 REV A5