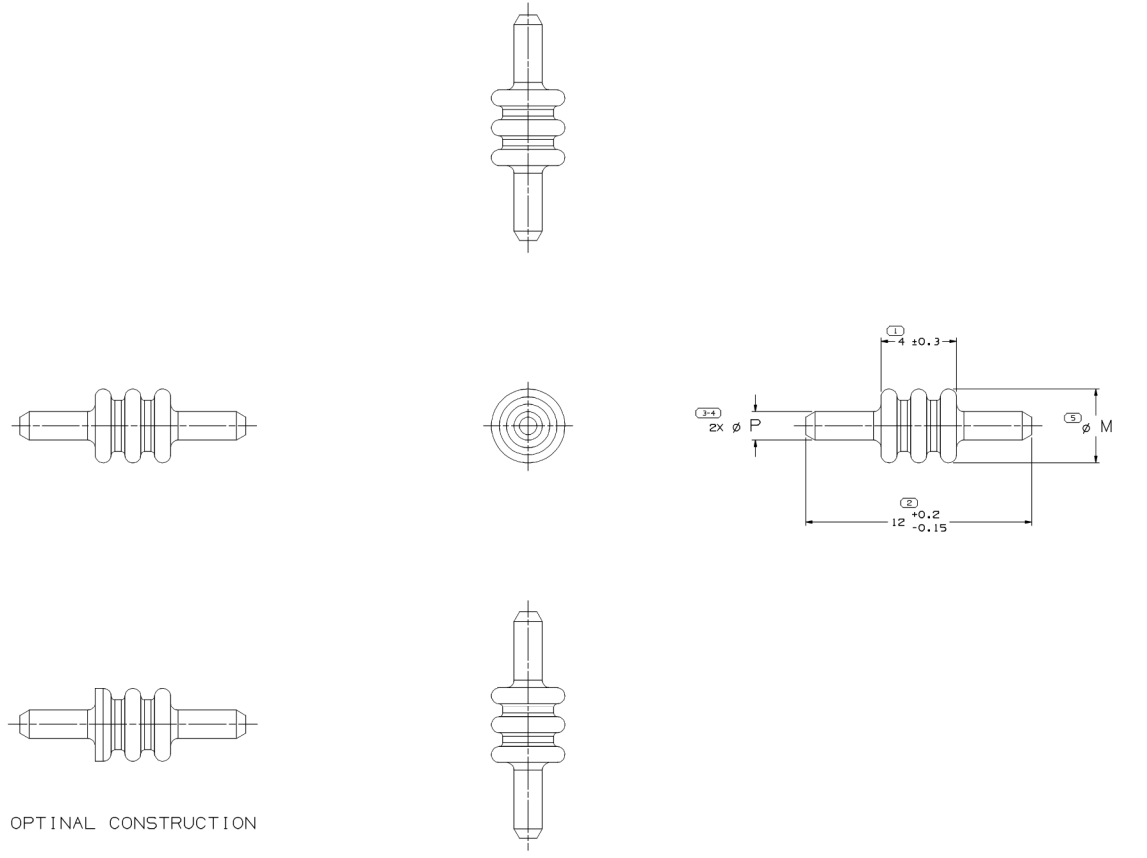


SYMBOL DEFINITION

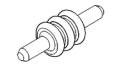
A DIMENSION WITHOUT AN INSPECTION REPORT SYMBOL () DOES NOT REQUIRE INSPECTION. IT MAY BE CONTROLLED ON AN INDIVIDUAL COMPONENT DRAWING.	TOTAL NO. OF SYMBOLS ON DRAWING	4
	LAST NO. USED	5

MISSING NUMBERS

DATE	STB	REV	N/P	CHK	20K	REVISION HISTORY	AUTH	OP	APP/APP
17A00	R	01	-	-	-	REDRAWN TO PD	000009	JLZ	BMC JR
01AP03	R	02	-	-	-	15305170 - UPDATED PDM ATTRIBUTES	238352	LEB	BEB JR
04M04	R	03	-	-	-	15305170, 15305171, 15305172 - REVISED PER MIN END BELTS ALL PARTS - UPDATED DIMS AND ADDED OPTIONAL CONSTRUCTION	254602	CTR	FRG PRM
15.J.04	R	04	-	-	-	15305169 - UPDATED PDM ATTRIBUTES	256854	LMB	LMB WR
08004	R	05	-	-	-	ALL PARTS - DIM 12 +0.2/-0.15 WAS 12. ADDED ALTERNATE MAT'L SPEC COLUMN: 15305170 - CANCELLED REV 02	259649	GPS	JVM/MPR
24.J.06	R	06	-	-	-	15305171 - UPDATED PDM ATTRIBUTES	282787	UBD	AUG/J.H



- NOTES
- UNLESS OTHERWISE SPECIFIED AND/OR INDICATED: DIMENSIONS ARE TO FACE OF VIEW SHOWN AND AUTOMATICALLY ROUNDED BY COMPUTER FOR INSPECTION (SEE MATH MODEL FOR PRECISE DIMENSIONS). FOR ALL OTHER DIMENSIONS NOT SHOWN BUT REQUIRED FOR TOOL BUILD, SEE MATH MODEL FOR PRECISE TOOL PATH DATA.
 - SEALING RIBS ARE IDENTICAL, EXCEPT AS SHOWN.
 - THIS PART IS NOT CONTROLLED FOR AUTOMATIC FEEDING.



"VIEW SCALE DOES NOT REFLECT ACTUAL PART SIZE"

PART NO	REV	N/P	STATUS	MAT'L SPEC	ALTERNATE MAT'L SPEC	COLOR	TYPE	M	P	CAVITY ID	VOLUME
15305172	02	AA		M346903B	M2261029	TAN	GT 2B0	5.75	2.5	5.2	0.116
15305171	02	AB		M3469007	M2261001	GRN	GT 150	4.5	1.5	4	0.058
15305170	144	-		M2261011 SIL	-	WHI	GT 280	6.35	3.1	5.8	0.156
15305169	01	AF		M2261005 SIL	-	GRN	GT 150 MINI	3.9	1.5	3.2 ±0.3 X 4 OVAL	0.050

DWG TYPE: PART DRAWING

DATE: 10/1/06

DESIGNED BY: J. CANO

CHECKED BY: R. PINA

APPROVED BY: G. MATKINS

DATE: 10/1/06

SCALE: 10:1

PROJECTION: THIRD ANGLE

DO NOT SCALE

USE MATH DATA

DELPHI

DELPHI PACKAGED ELECTRIC SYSTEMS

WWW.DELPHI.COM

TAXI SEAL CBL 1W CAVITY PLUG

12124630

SCALE: 10:1

SHEET NO: 1 OF 1

REV: R 06