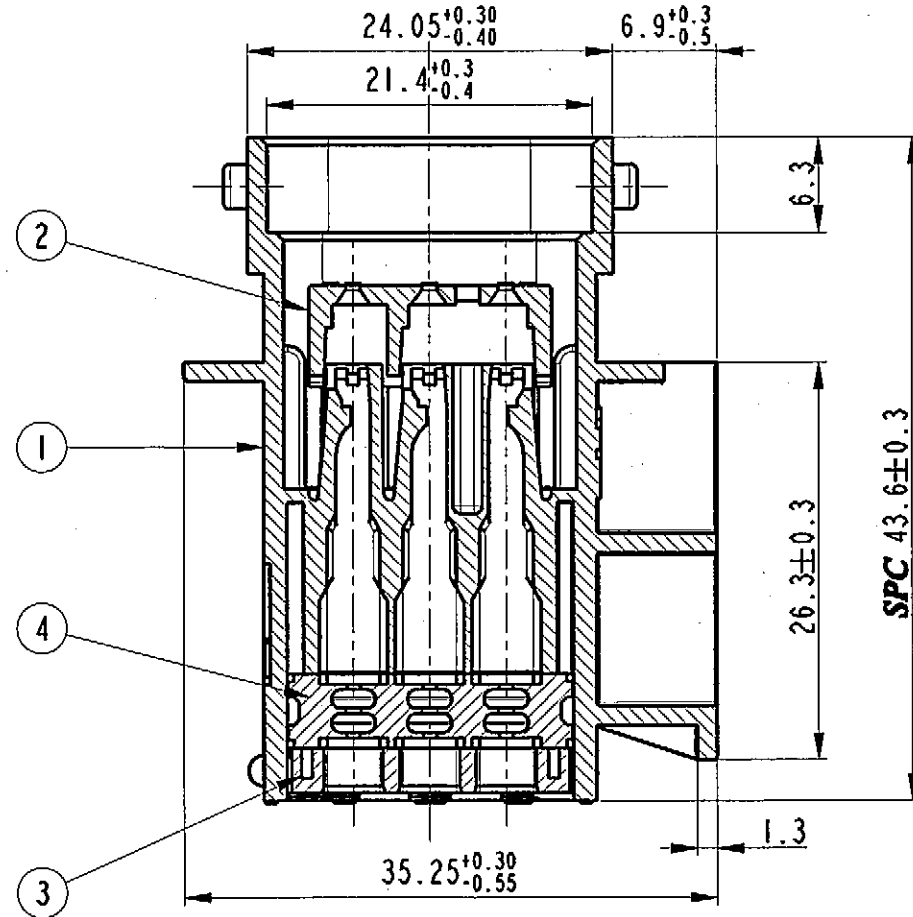
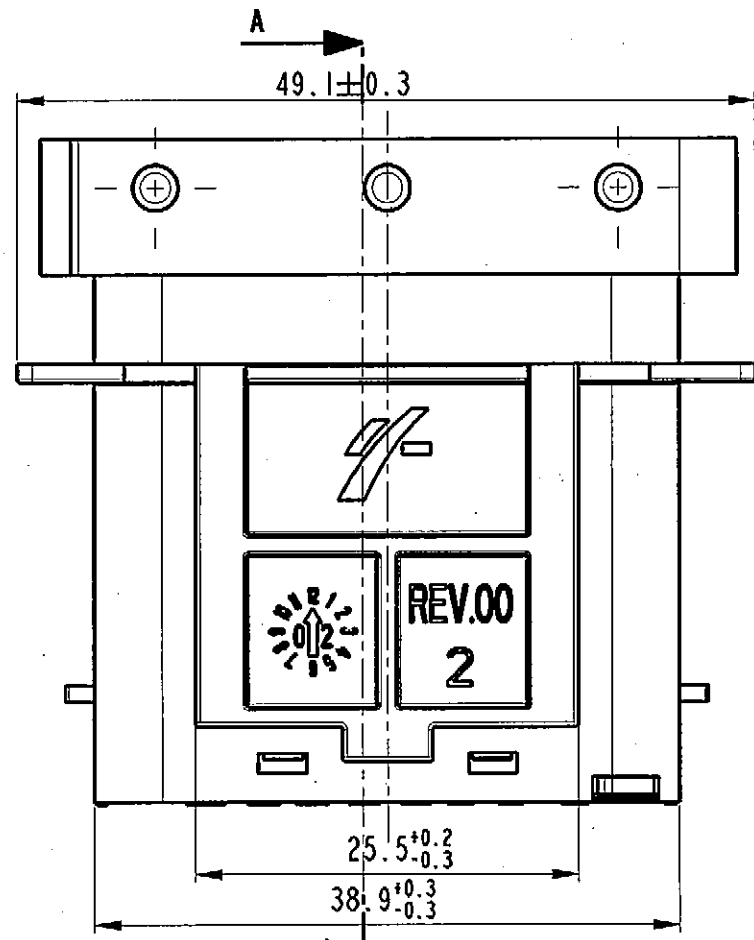
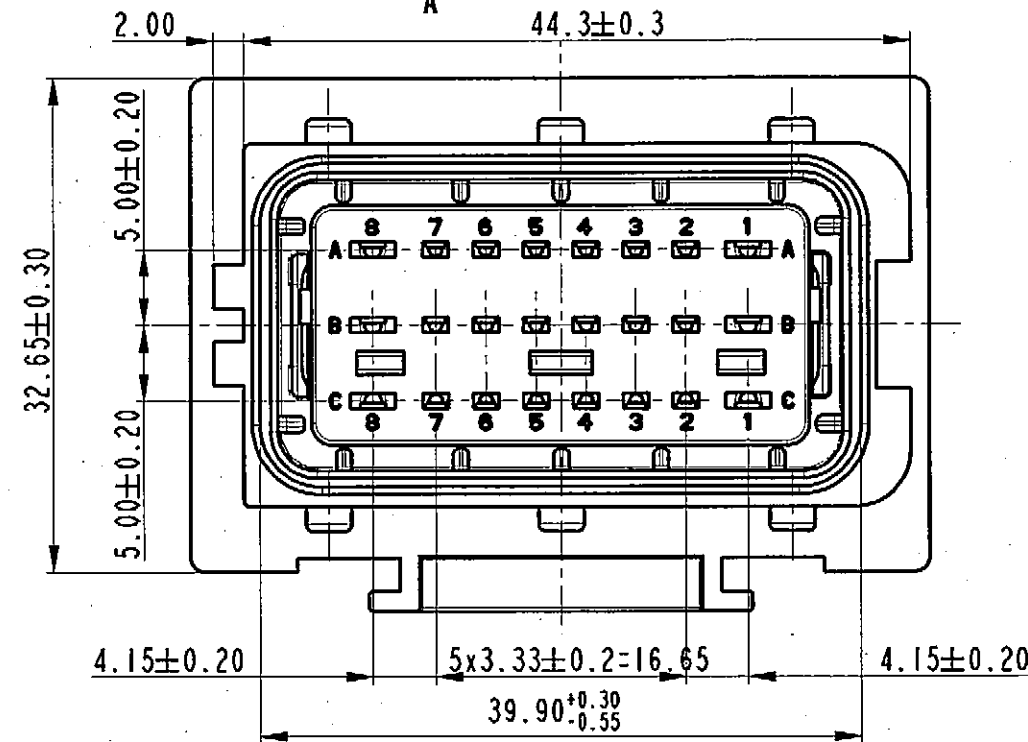


STRICTLY CONFIDENTIAL



N°	DESCRIPTION	COLOR	MATERIAL
1	HOUSING	BLACK-BROWN GREY-BLUE	PBT/ PA 6
2	SECONDARY LOCK GRID	YELLOW	PBT
3	GROMMET STOP	BLACK	PBT
4	GROMMET	RED, GREEN or BLUE	SILICON

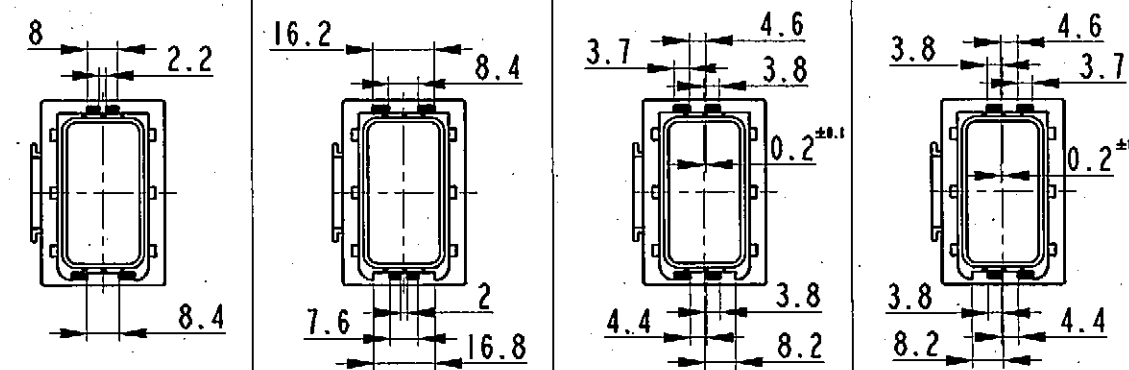


THE CATALOG NUMBERS OF THIS VERSION ARE SHOWED IN THE TABLE SHEET 2 OF 4
 I NUMERI DI CATALOGO DI QUESTA VERSIONE SONO ELENCATI SULLA TABELLA FOGLIO 2 DI 4

SPC Statistical Process Control

ECN-NO.	DATE	DD / MM / YY	REVISION	POSITION	CHANGE DESCRIPTION	DRAWN BY	CHK. BY	APPR. BY
41/03	05/11/03		07		RELEASED FOR PRODUCTION			
	30/10/03		06		UPDATED DRAWING			R.R. G.S.
	21/10/03		05		SHEET 1 OF 4 CHANGE SPC DIMENSION FROM 43.9 ± 0.3 - 0.5 TO 43.6 ± 0.3			R.R. G.S.
	01/09/03		04		MODIFIED MATERIAL FOR THE FOLLOWING P/N 211PL249SX020 - 211PL249SX023 - 211PL249SX033 WAS PA6 GF IS PBT GF			R.R. G.S.
	28/05/03		03		ADDED P/N 211PL249SX043			R.R. G.S.
	21/03/03		02		UPDATED DRAWING			R.R. G.S.
	15/01/03		01		Added sheets 3 of 4 and 4 of 4			R.R. G.S.

CODING TABLE
 Tavola di codifica
TOLERANCES ±0.2
 Tolleranze
FRONT VIEW
 Vista frontale
 ■: FULL
 Pieno



COLOR BLACK GREY BROWN BLUE

PRODUCT SPEC. SPEC. DI PRODOTTO
 PACKAGING SPEC. SPEC. DI IMBALLAGGIO
 APPLICATION SPEC. SPEC. DI APPLICAZIONE
 THIS DRAWING AND ALL OTHER INFORMATION CONTAINED THEREIN IS PROPRIETARY AND THE PROPERTY OF FCI. This drawing may not be copied, reproduced or disclosed to any third party without the expressed written permission of FCI.
 QUESTO DISEGNO ED OGNI ALTRA INFORMAZIONE IN ESSO CONTENUTA SONO ESCLUSIVI E DI PROPRIETA' DELLA FCI. Questo disegno non puo' essere copiato, riprodotto o divulgato a terzi senza l'espresso consenso scritto della FCI.
 © FCI April 1999

TOLERANCES TOLLERANZE: ± 0.2mm. / ± 0.5°
 MATERIAL: MATERIALE: SEE TABLE
 COLOUR: COLORE:
 TOOL NO.
 SURFACE FINISH FINITURA SUPERFICIALE
 CAD SYSTEM: pro / eng.
 DIMENSION IN MILLIMETERS DIMENSIONI IN MILLIMETRI: A3
 DO NOT SCALE DRAWING DISEGNO FUORI SCALA
 DATE DATA: 04/12/02
 NAME NOME: M. Marbidelli
 TITLE DESCRIZIONE: 24 WAYS SECTIONING ASSEMBLY MALE HOLDER
 CHECKED BY CONTROLLATO: 04/12/02
 NAME NOME: T. Cirriello
 DRAWING NUMBER NUMERO DISEGNO: FSC 309590
 SHEET FOGLIO: 1 di 4
 APPROVED BY APPROVATO: ESR NO. NUMERO ESR: ITA2043
 FILE NAME NONE FILE: FSC 309590
 CAT. NO. NUMERO CAT.: SEE TABLE ON SHEET 2 of 4
 SCALE SCALA: 2:1

8

7

6

5

4

3

2

DRAWING NUMBER NUMERO DISEGNO	FSC 309590	REVISION REVISIONE	07	SHEET FOGLIO	2/4	APPROVAL LEVEL LIV. DI APPROVAZIONE
DRAWING DISEGNO	C					

**STRICTLY
CONFIDENTIAL**

COMPONENTS

P/N ASSEMBLY	HOUSING	HOUSING MATERIAL	SEC. LOCK	GROMMET "RED"	GROMMET "GREEN"	GROMMET "BLUE"	GROMMET STOP	DETAIL "X"
2IIP249S0020	Black	PBT	Yes					
2IIP249SI020	Brown	PBT	Yes					
2IIP249S6020	Blue	PBT	Yes					
2IIP249S8020	Grey	PBT	Yes					
2IIP249S0023	Black	PBT	Yes	Yes			Yes	
2IIP249SI023	Brown	PBT	Yes	Yes			Yes	
2IIP249S6023	Blue	PBT	Yes	Yes			Yes	
2IIP249S8023	Grey	PBT	Yes	Yes			Yes	
2IIP249S0033	Black	PBT	Yes		Yes		Yes	
2IIP249SI033	Brown	PBT	Yes		Yes		Yes	
2IIP249S6033	Blue	PBT	Yes		Yes		Yes	
2IIP249S8033	Grey	PBT	Yes		Yes		Yes	
2IIP249S0043	Black	PA 6	Yes			Yes	Yes	
2IIP249SI043	Brown	PA 6	Yes			Yes	Yes	
2IIP249S6043	Blue	PA 6	Yes			Yes	Yes	
2IIP249S8043	Grey	PA 6	Yes			Yes	Yes	

ECN 41/03	05/11/03	07	RELEASED FOR PRODUCTION			
	30/10/03	06	UPDATED DRAWING			R.R.G.S.
	21/10/03	05	SHEET 1 OF 4 CHANGE SPC DIMENSION FROM 43.9 +0.3 - 0.5 TO 43.6 ±0.3			R.R.G.S.
	01/09/03	04	MODIFIED MATERIAL FOR THE FOLLOWING P/N 2IIP249SX020 - 2IIP249SX023 - 2IIP249SX033 WAS PA6 GF IS PBT GF			R.R.G.S.
	28/05/03	03	ADDED P/N 2IIP249SX043			R.R.G.S.
	21/03/03	02	UPDATED DRAWING			R.R.G.S.
	15/01/03	01	Added sheets 3 of 4 and 4 of 4			R.R.G.S.
ECN-NO. NUMERO - ECH	DATE DATA	DD / MM / YY	REVISION REVISIONE	POSITION POSIZIONE	CHANGE DESCRIPTION DESCRIZIONE MODIFICA	DRAWN BY DISEGNATORE
PRODUCT SPEC. SPEC. DI PRODOTTO	PACKAGING SPEC. SPEC. DI IMBALLAGGIO	APPLICATION SPEC. SPEC. DI APPLICAZIONE	THIS DRAWING AND ALL OTHER INFORMATION CONTAINED THEREIN IS PROPRIETARY AND THE PROPERTY OF FCI. This drawing may not be copied, reproduced or disclosed to any third party without the expressed written permission of FCI. © FCI April 1999			QUESTO DISEGNO ED OGNI ALTRA INFORMAZIONE IN ESSO CONTENUTA SONO ESCLUSIVI E DI PROPRIETA' DELLA FCI. Questo disegno non puo' essere copiato, riprodotto o divulgato a terzi senza l'espreso consenso scritto della FCI. © FCI April 1999
TOLERANCES TOLLERANZE	± 0.2mm. / ±0.5°		MATERIAL : MATERIALE :	SEE TABLE		SURFACE FINISH FINITURA SUPERFICIALE
DO NOT SCALE DRAWING DISEGNO FUORI SCALA	DATE DATA		NAME NOME	TITLE DESCRIZIONE	DRAWING NUMBER NUMERO DISEGNO	CAD SYSTEM pro / eng.
DRAWN BY DISEGNATORE	04/12/02	M. Meridelli		24 WAYS SECTIONING ASSEMBLY MALE HOLDER	FSC 309590	A3
CHECKED BY CONTROLLATO	04/12/02	I. Ciriello				
APPROVED BY APPROVATO						
ESR NO. NUMERO ESR	ITA2043	FILE NAME NOME FILE	FSC 309590	CAT. NO. NUMERO CAT.	SEE TABLE	SCALE SCALA

8

7

6

5

4

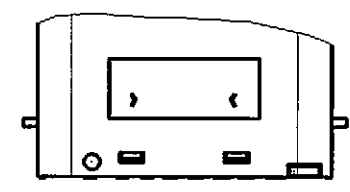
3

2

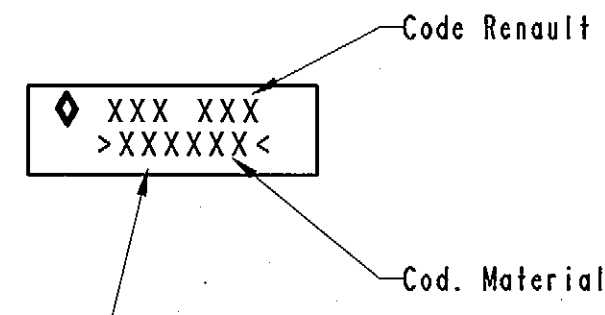
1

STRICTLY CONFIDENTIAL

COMPONENTS								
P/N ASSEMBLY	HOUSING	HOUSING MATERIAL	SEC. LOCK	GROMMET "RED"	GROMMET "GREEN"	GROMMET "BLUE"	GROMMET STOP	DETAIL "X"
2I1PL249S0005	Black	PBT	Yes	Yes			Yes	Yes
2I1PL249SI005	Brown	PBT	Yes	Yes			Yes	Yes
2I1PL249S6005	Blue	PBT	Yes	Yes			Yes	Yes
2I1PL249S8005	Grey	PBT	Yes	Yes			Yes	Yes
2I1PL249S0052	Black	PA 6	Yes	Yes			Yes	Yes
2I1PL249SI052	Brown	PA 6	Yes	Yes			Yes	Yes
2I1PL249S6052	Blue	PA 6	Yes	Yes			Yes	Yes
2I1PL249S8052	Grey	PA 6	Yes	Yes			Yes	Yes



DETAIL "X"
 (Specific only for Renault Version)



Text height 2.5mm. in relief 0.1mm.

ECN-NO. / NUMERO - ECH	DATE / DATA	DD / MM / YY	REVISION / REVISIONE	POSITION / POSIZIONE	CHANGE DESCRIPTION / DESCRIZIONE MODIFICA	DRAWN BY / DISEGNATORE	CHK. BY / CONTROLLATO	APPR. BY / APPROVATO
ECN 41/03	05/11/03		07		RELEASED FOR PRODUCTION			
-	30/10/03		06		UPDATED DRAWING			R.R. G.S.
-	21/10/03		05		SHEET 1 OF 4 CHANGE SPC DIMENSION FROM 43.9 +0.3 - 0.5 TO 43.6 ±0.3			R.R. G.S.
-	01/09/03		04		MODIFIED MATERIAL FOR THE FOLLOWING P/N 2I1PL249SX020 - 2I1PL249SX023 - 2I1PL249SX033 WAS PA6 GF IS PBT GF			R.R. G.S.
-	28/05/03		03		ADDED P/N 2I1PL249SX043			R.R. G.S.
-	21/03/03		02		UPDATED DRAWING			R.R. G.S.
-	15/01/03		01		Added sheets 3 of 4 and 4 of 4			R.R. G.S.

PRODUCT SPEC. / SPEC. DI PRODOTTO	PACKAGING SPEC. / SPEC. DI IMBALLAGGIO	APPLICATION SPEC. / SPEC. DI APPLICAZIONE	THIS DRAWING AND ALL OTHER INFORMATION CONTAINED THEREIN IS PROPRIETARY AND THE PROPERTY OF FCI. This drawing may not be copied, reproduced or disclosed to any third party without the expressed written permission of FCI. © FCI April 1999	QUESTO DISEGNO ED OGNI ALTRA INFORMAZIONE IN ESSO CONTENUTA SONO ESCLUSIVI E DI PROPRIETA' DELLA FCI. Questo disegno non puo' essere copiato, riprodotto o divulgato a terzi senza l'espresso consenso scritto della FCI. © FCI April 1999
TOLERANCES / TOLLERANZE: ± 0.2mm. / ± 0.5°		MATERIAL: / MATERIALE: SEE TABLE	SURFACE FINISH / FINITURA SUPERFICIALE: -	ISO PROJECTION / PROIEZIONE ISO: pro / eng.
DO NOT SCALE DRAWING / DISEGNO FUORI SCALA		TOOL NO.:	LOC. CODE / NAZIONALITA': I	CAD SYSTEM: A3
DRAWN BY / DISEGNATORE: 13/01/03 M. Norbideilli	CHECKED BY / CONTROLLATO: 13/01/03 T. Cirillo	TITLE / DESCRIZIONE: 24 WAYS SECTIONING ASSEMBLY MALE HOLDER	DRAWING NUMBER / NUMERO DISEGNO: FSC 309590	SHEET / FOGLIO: 4 of 4
APPROVED BY / APPROVATO:	ESR NO. / NUMERO ESR: ITA2043	FILE NAME / NOME FILE: FSC 309590	CAT. NO. / NUMERO CAT.: SEE TABLE	SCALE / SCALA: -