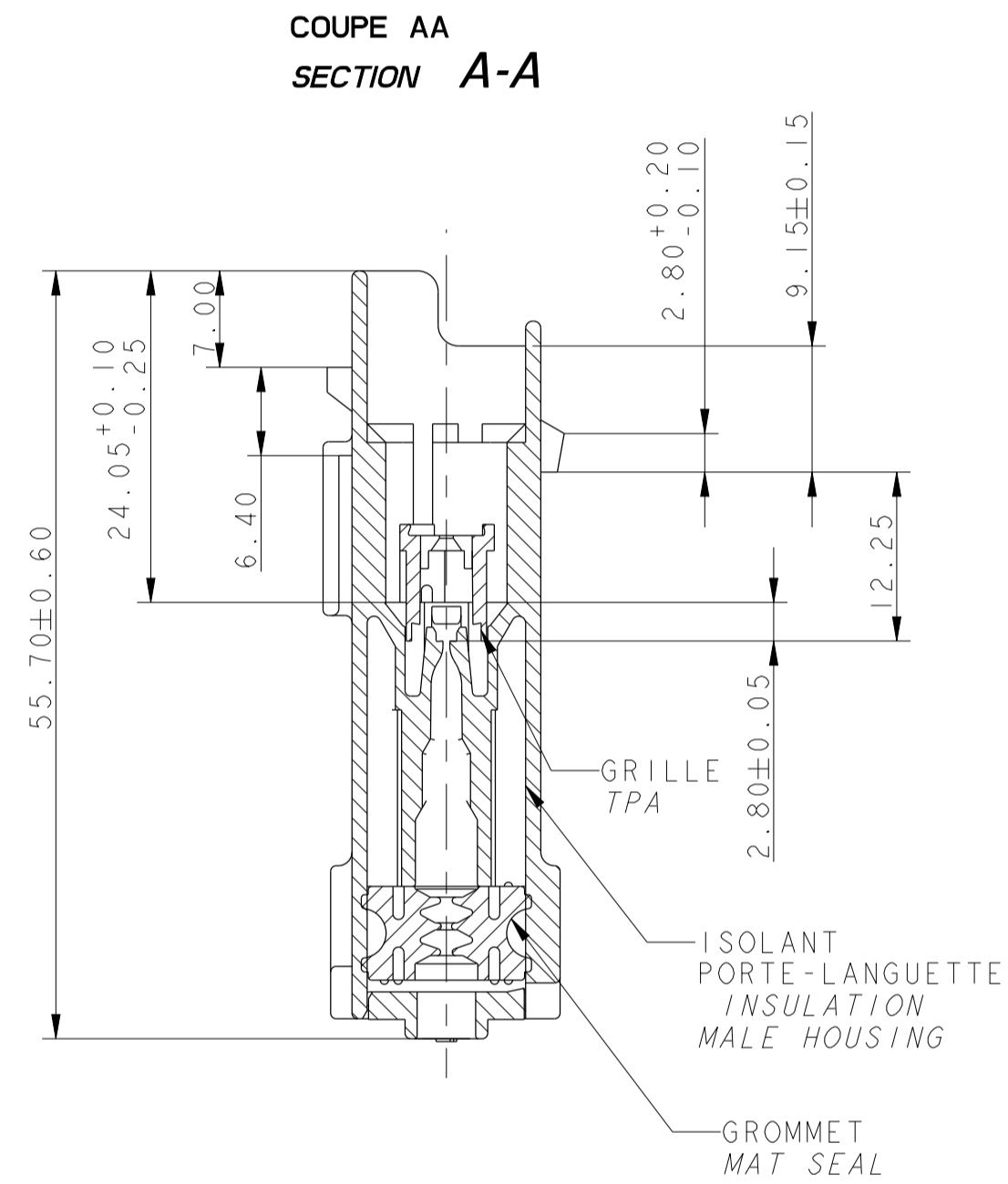
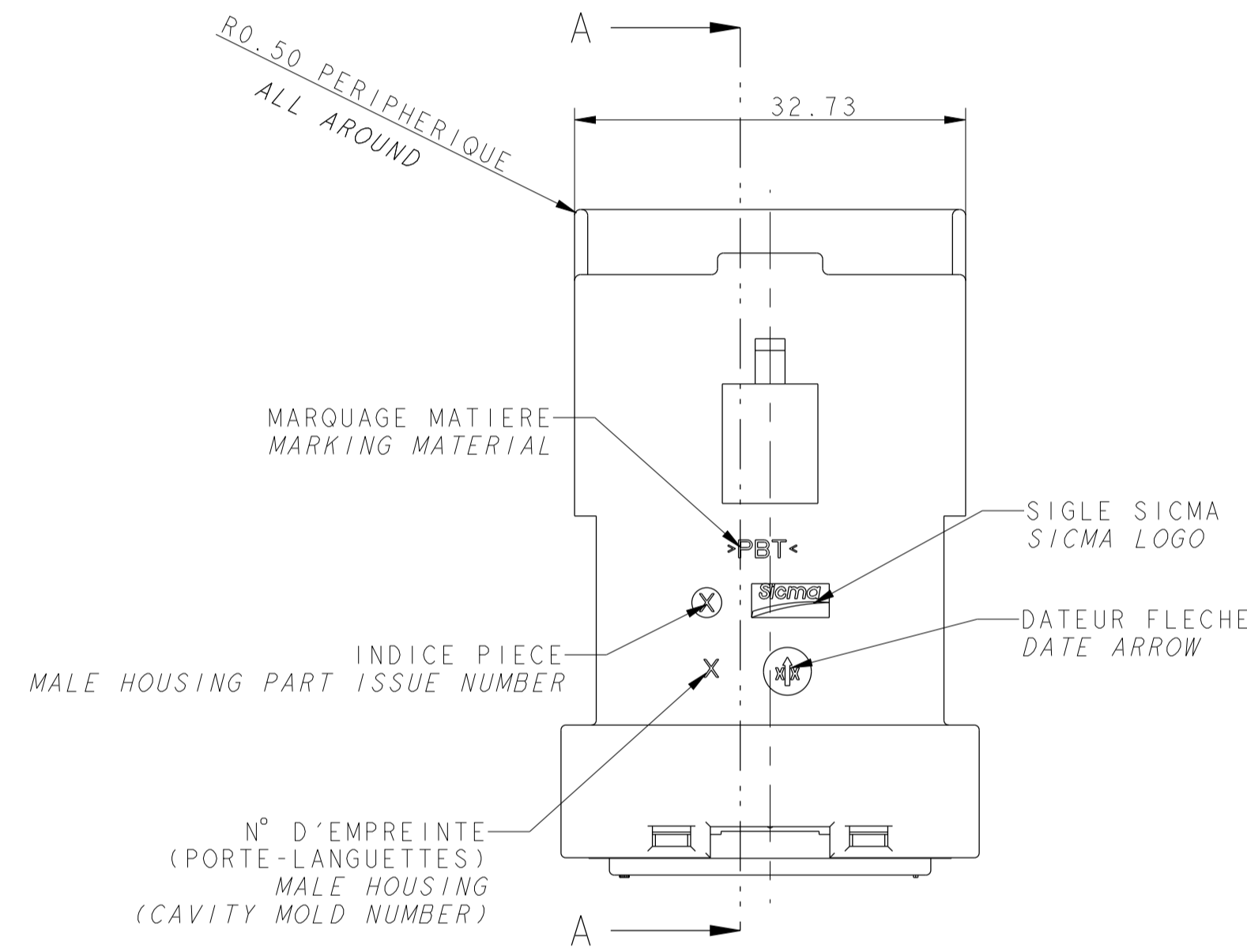
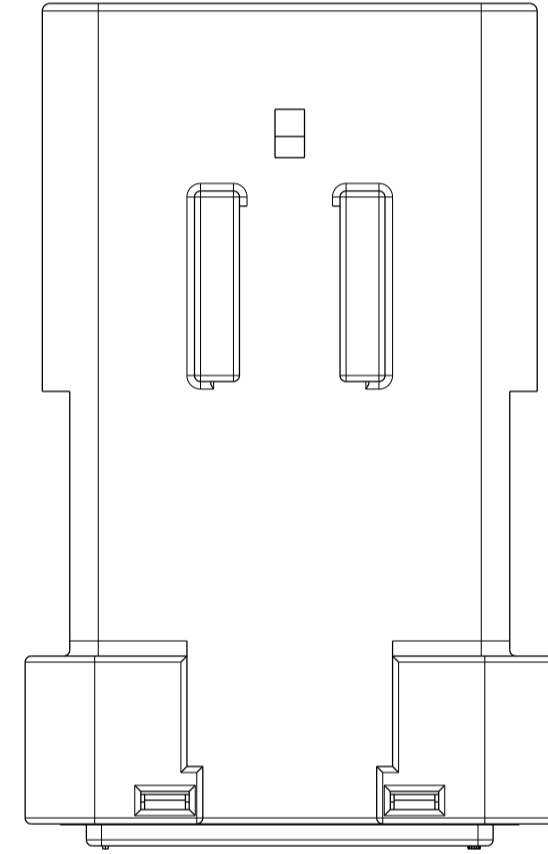
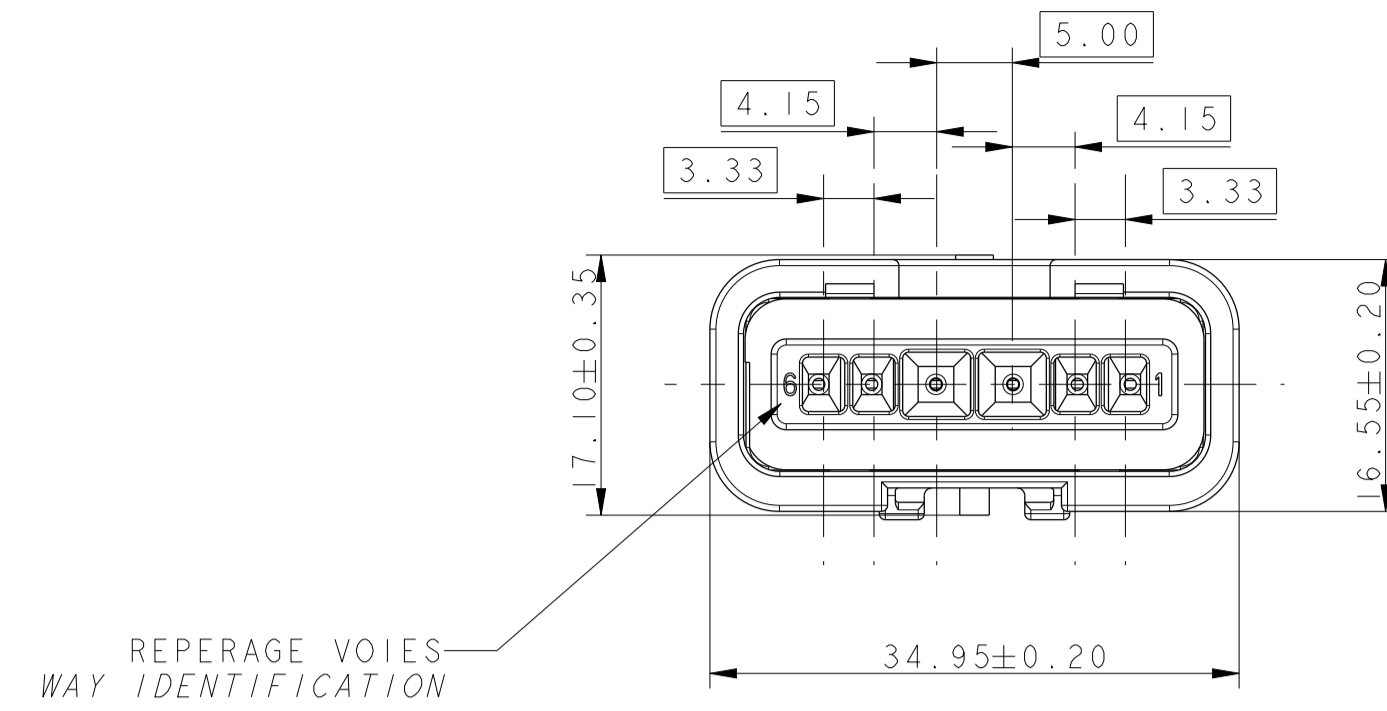
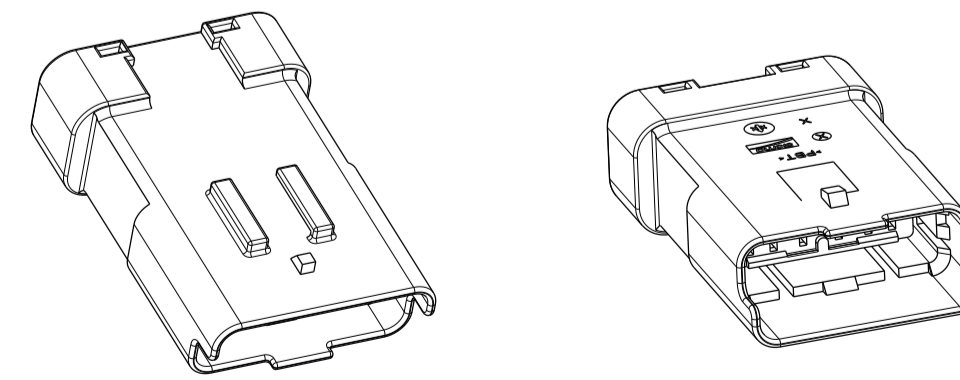
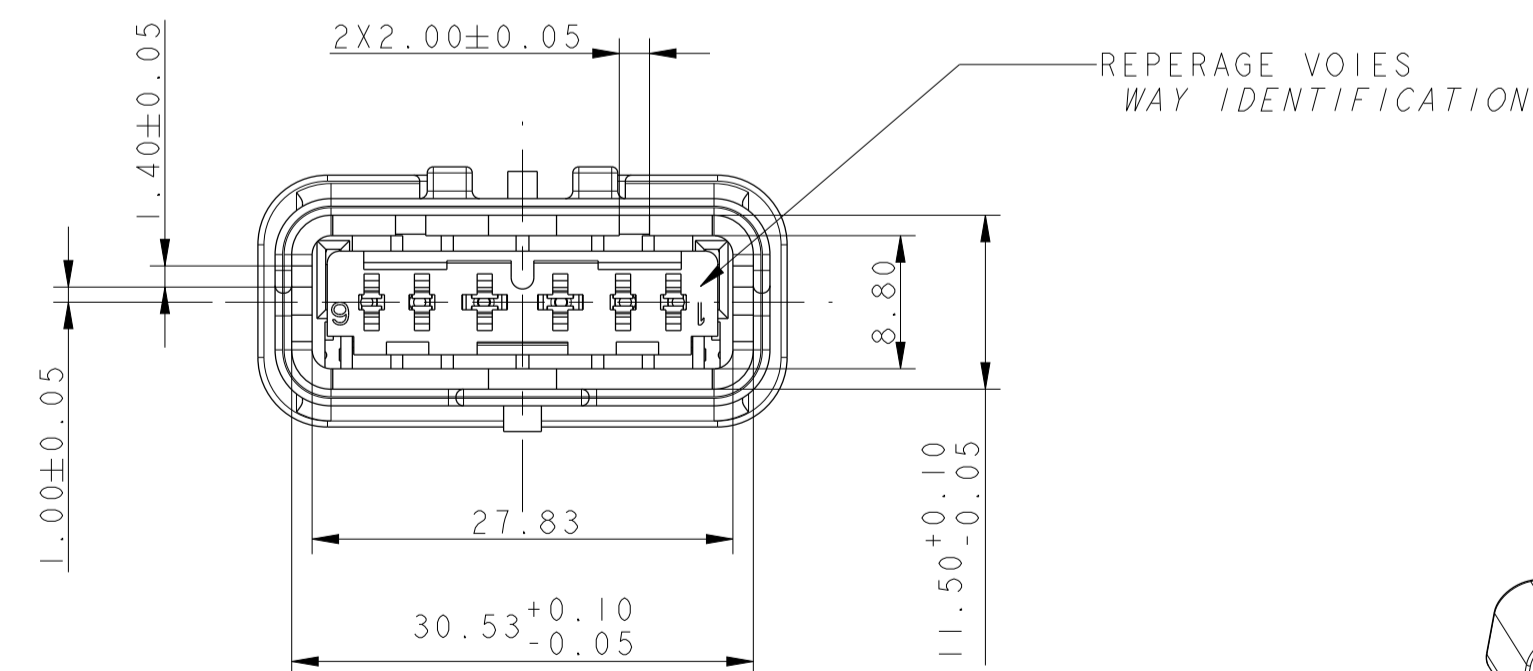


NOTA	SPECIFICATIONS
1	CONNECTEUR DOIT ETRE CONFORME AU CDC :96 238 404 99 MALE CONNECTOR ACCORDING TO SPECIFICATION PSA :96 238 404 99
2	CONNECTEUR SUIVANT: MALE CONNECTOR ACCORDING TO -CLASSE DE TEMPERATURE T3 SELON B217050 REV A -TEMPERATURE CLASS T3 ACCORDING TO B217050 REV A -CLASSE DE VIBRATION MOEUR SELON B217050 REV A -ENGINE VIBRATION CLASS ACCORDING TO B217050 REV A -CLASSE ETANCHEITE 2 SELON B217050 REV A -SEALING CLASS 2 ACCORDING TO B217050 REV A
3	PRECONISATION D'UTILISATION / USER MANUAL REF MVL: PU 008/MVL'S REFERENCE: PU 008
4	ALVEOLE SUIVANT STE: 96 289 050 99 CAVITY ACCORDING TO: STE: 96 289 050 99
5	CONNECTEUR ET POSITION ALVEOLE CONFORMES AU PLAN D'INTERFACE 211FT0289 FEMALE CONNECTOR AND CAVITY'S POSITION ACCORDING TO: DRAWING INTERFACE 211FT0289
6	CONDUCTEUR SUIVANT STE :96 418 794 99 WIRE ACCORDING TO: STE :96 418 794 99
7	CONDITIONNEMENT SUIVANT NORME: E73 03 150G PACKAGING ACCORDING TO STANDARD: E73 03 150G
8	DIAMETRE DE L'ISOLANT DES FILS WIRE INSULATION DIAMETER 1.5 :MINI=1.40 2.8: MINI=1.60 :MAXI=2.80 :MAXI=3.45
9	MASSE DU PRODUIT LIVRABLE :15g DELIVERY CONNECTOR WEIGHT : 15g
10	CHARNIERE DE PLAQUETTE ARRIERE ABSENTE OU CASSEE ADMISE NO WAFER HINGE OR WAFER HINGE BROKEN ALLOWED
11	DEFAUTS D'ASPECT SUR ZONES NON FONCTIONNELLES ADMIS VISUAL DEFECTS ON NO FUNCTIONAL AREAS ALLOWED
12	ACCROCHAGE SELON STE 96 153 261 99 FIXING ACCORDING TO 96 153 261 99



BOUCHON CAP	210 A 01 5 019	PBT NON CHARGE PBT: 0% GF	VERT GREEN
ISOLANT PORTE-LANGUETTES INSULATION MALE HOUSING	211 I 8 032	PBT NON CHARGE PBT: 0% GF	GRIS GREY
	211 I 6 032		BLEU BLUE
	211 I 0 032		NOIR BLACK
GRILLE TPA	211 M 4 050	PBT: 15% FV PBT: 15% GF	JAUNE YELLOW
GROMMET MAT SEAL	211 M 110	SILICONE 30Sh AUTOLUBRIFIE SILICONE 30Sh SELF LUBRICATING	VERT GREEN
DESIGNATION DESCRIPTION	REF. MVL MVL'S REFERENCE	MATIERE MATERIAL	COULEUR COLOUR



ECHELLE 1:1
SCALE 1:1

CODAGE NOIR REPRESENTE
BLACK CODING DRAW

NOIR / BLACK	BLEU / BLUE	GRIS / GREY	COULEUR / COLOUR	
211 PL 06 9 S 0 049	211 PL 06 9 S 6 049	211 PL 06 9 S 8 049	REFERENCE REFERENCE	MVL
A	A	A	INDICE PIECE (VOIR MARQUAGE SUR L'ISOLANT MALE PART LEVEL (SEE MARKING MALE HOUSING))	(D)
15396354	10779504	10768570	REFERENCE REFERENCE	DELPHI
01	01	01	REVISION REVISION	

ECN-NO. NUMBER ECN	POSITION POSITION	CHANGE DESCRIPTION MODIFICATION
-	-	DELPHI P/N ADDED
PROJECT SPEC. SPECIF. PRODUIT PACKAGING SPEC. SPECIF. EMBALLAGE APPLICATION SPEC. SPECIF. APPLICATION COPYRIGHT DELPHI CORPORATION AND/OR ITS AFFILIATES. ALL RIGHTS RESERVED. REVISED THIS DRAWING IS THE PROPERTY OF DELPHI CORPORATION AND CONTAINS DELPHI CONFIDENTIAL INFORMATION. THE REPRODUCTION, DISTRIBUTION AND REALIZATION OF THIS DOCUMENT BY ANY MEANS OR BY ANY METHOD, IN WHOLE OR IN PART, IS PROHIBITED WITHOUT EXPRESS AUTHORIZATION. LE CONTENU DE CE DOCUMENT EST LA PROPRIETE DE DELPHI CORPORATION ET CONTIEN DES INFORMATIONS CONFIDENTIELLES. LA REPRODUCTION, LA DISTRIBUTION ET LA REALISATION DE CE DOCUMENT PAR MOYENS OU MOYENS QUELS QU'ILS SOIENT, EN TOUT OU EN PART, SONT INTERDITES SANS AUTORISATION ECRITE. EST INTERDIT.		
TOLERANCES TOLERANCES	±0.1 ±0.2	MATERIAL: MATIERE: SEE TABLE STATE OF SURFACE: ETAT DE SURFACE: -
CONTRACTOR: CONTRACTEUR	DELPHI	DELPHI PACKARD ELECTRICAL/ELECTRONIC ARCHITECTURE EPHEON, FRANCE
DO NOT MEASURE DRAWING NE PAS MESURER LE DRESSAGE	ECO EXP: ECO EXP: FE	ISO PROJECTION PROJECTION ISO
CREATED BY: CREE PAR: 2002-08-15	MANDEL	DRAWING NUMBER REF. PLAN: 211FT0448
MODIFIED BY: MODIFIE PAR: 2015/09/14	F PALMISTE	STATUS: ETAT: 1
DESIGNED BY: CONCEU PAR: 2015/09/14	S LACOTE	PROJECT: PROJET: 6W HYBRID MALE CONNECTOR
APPROVED BY: APPROUVE PAR: 2015/09/14	PROSCH MENARD	MINI SEALED FAMILY
FILE NAME: 211FT0448		NUMERO CAP: 211PL06XS1049
		NO MODIFICATION ALLOWED OUTSIDE PAS DE MODIFICATION EN DEHORS