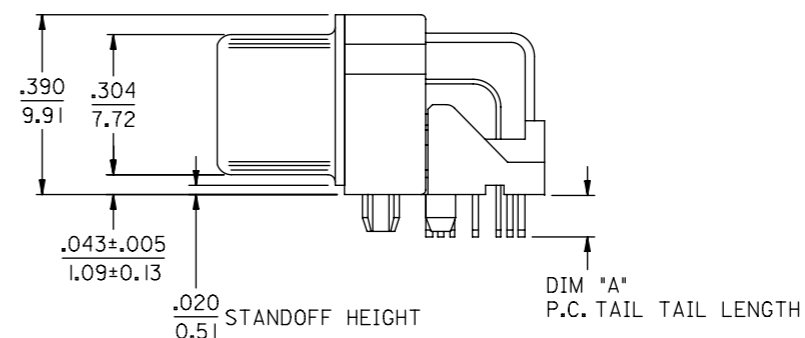


NOTES:

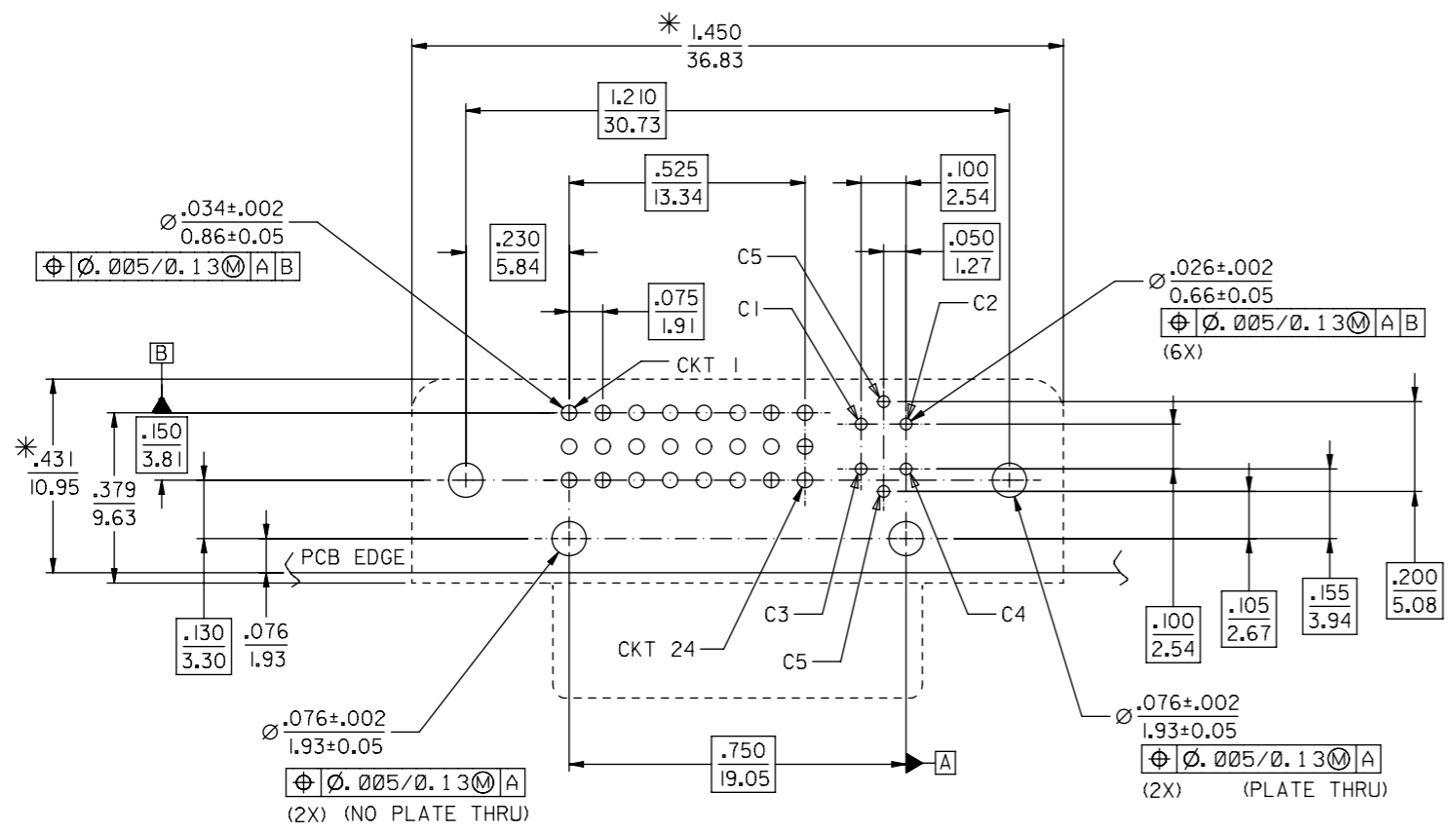
- MATERIAL:  
SHIELD: DEEP DRAW STEEL;  
HOUSING: LCP, UL94V-0, NATURAL (WHITE);  
TAIL ALIGNER: LCP, UL94V-0, NATURAL (WHITE);  
CONTACT: COPPER ALLOY.
  - PLATING: SEE SHEET 2.
  - PRODUCT CONFORMS TO MOLEX PRODUCT SPECIFICATION NUMBER PS-74320-001. REFER TO THIS SPECIFICATION FOR SPACING ON A P.C.B. OF TWO OR MORE CONNECTORS WHEN USING A CABLE OR AN ADAPTER ASSEMBLY.
  - SEE SHEET 2 FOR RECOMMENDED PANEL CUT-OUT AND P.C.B. LAYOUT.
  - PARTS WILL BE PACKAGED IN TRAYS PER PK-74320-010.
  - PRODUCT CONFORMS TO DDWG DVI SPECIFICATION. REFER TO THIS SPECIFICATION FOR CONNECTOR MATING DIMENSIONS.
  - RECOMMENDED MOUNTING HARDWARE IS MOLEX P/N 71781-0001 OR 82007-0300 OR 88780-6066. REFER TO PRODUCT SPECIFICATION NUMBER PS-74320-001 FOR THIS APPLICATION TORQUE REQUIREMENT FOR ASSMBLING MOUNTING HARDWARE.
- ⚠ CAVITY ID AND MANUFACTURING PLANT CODE.



PART NUMBER	PLATING OPTION	DIM A	DIM B
74320-1007	2	.123/3.12	.110/2.79
74320-1006	2	.110/2.79	.110/2.79
74320-1005	2	.050/1.27	2.03±0.51
74320-1004	2	.092/2.34	.080±.020
74320-1003	1	.123/3.12	.110/2.79
74320-1001	1	.050/1.27	2.03±0.51
74320-1000	1	.092/2.34	.080±.020

QUALITY SYMBOLS				THIS DRAWING CONTAINS INFORMATION THAT IS PROPRIETARY TO MOLEX ELECTRONIC TECHNOLOGIES, LLC AND SHOULD NOT BE USED WITHOUT WRITTEN PERMISSION									
▽ = 0	CHANGE SHELL PLATING	EC NO: 118825	DRWN: XQZHANG	2016/08/16	CHK'D: XQZHANG	2016/08/15	2017/07/10						
▽ = 0													
▽ = 0													
▽ = 0													
▽ = 0													
▽ = 0													
▽ = 0													
▽ = 0													
▽ = 0													
▽ = 0													
▽ = 0	GENERAL TOLERANCES (UNLESS SPECIFIED)		DIMENSION UNITS	SCALE									
▽ = 0	ANGULAR TOL ± 1.0 °		INCH	1:1									
▽ = 0	4 PLACES ± 0.01	DRWN BY	DATE	<b>DVI - INTERGRATED RIGHT ANGLE, RECEPTACLE CONNECTOR</b>									
▽ = 0	3 PLACES ± 0.01	XQZHANG	2014/12/10										
▽ = 0	2 PLACES ± 0.01	CHK'D BY	DATE	<b>PRODUCT CUSTOMER DRAWING</b>									
▽ = 0	1 PLACE ±	XQZHANG	2014/12/09										
▽ = 0	0 PLACES ±	APPR BY	DATE	<table border="1"> <tr> <td>SERIES</td> <td>MATERIAL NUMBER</td> <td>CUSTOMER</td> </tr> <tr> <td>74320</td> <td>SEE TABLE</td> <td>GENERAL MARKET</td> </tr> </table>		SERIES	MATERIAL NUMBER	CUSTOMER	74320	SEE TABLE	GENERAL MARKET		
SERIES	MATERIAL NUMBER	CUSTOMER											
74320	SEE TABLE	GENERAL MARKET											
▽ = 0	DRAFT WHERE APPLICABLE MUST REMAIN WITHIN DIMENSIONS	DRAWING SIZE	THIRD ANGLE PROJECTION	<table border="1"> <tr> <td>DOCUMENT NUMBER</td> <td>DOC TYPE</td> <td>DOC PART</td> <td>SHEET NUMBER</td> </tr> <tr> <td>SD-74320-001</td> <td>PSD</td> <td>000</td> <td>1 OF 2</td> </tr> </table>		DOCUMENT NUMBER	DOC TYPE	DOC PART	SHEET NUMBER	SD-74320-001	PSD	000	1 OF 2
DOCUMENT NUMBER	DOC TYPE	DOC PART	SHEET NUMBER										
SD-74320-001	PSD	000	1 OF 2										
▽ = 0		A3											

RELEASE STATUS	RELEASE DATE



RECOMMENDED PCB LAYOUT

\* THESE DIMENSIONS REPRESENT CONNECTOR OVERLAY ON PCB.

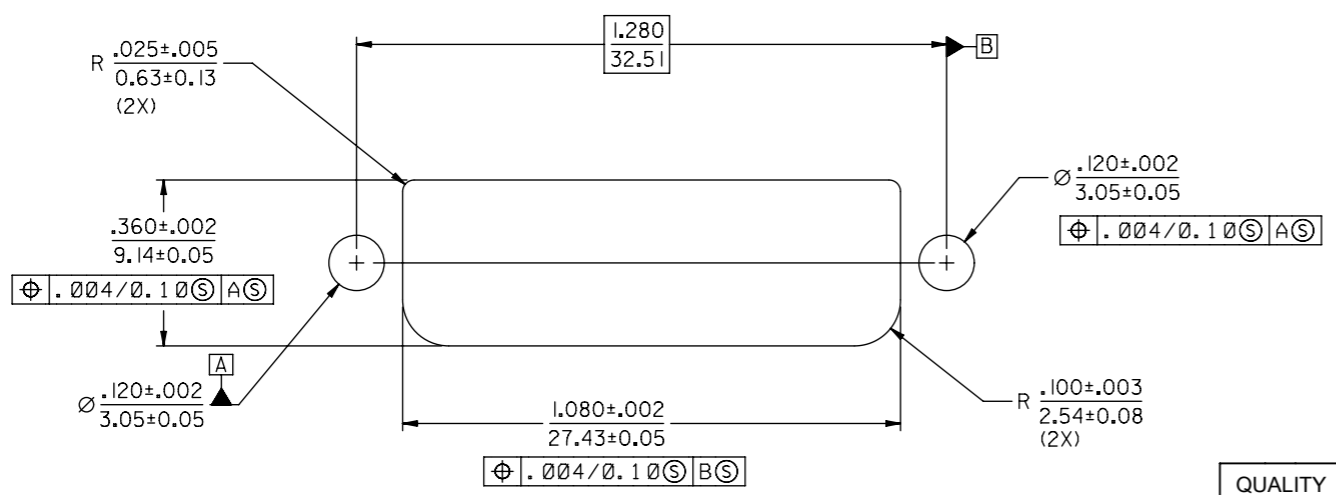
PLATING OPTIONS:

PLATING OPTION #1:

OUT SHIELD -- 60u"/(1.5um) MIN. SOLDERABLE NICKEL OVER  
 30u"/(0.75um) MIN. COPPER OVERALL.  
 .075"/(1.91mm) CONTACTS -- 30u"/(0.75um) MIN. SELECT GOLD AND  
 100u"/(2.50um) MIN. SELECT PURE TIN  
 OVER 50u"/(1.27um) MIN. NICKEL OVERALL.  
 .100"/(2.54mm) CONTACTS -- 30u"/(0.75um) MIN. SELECT GOLD AND  
 100u"/(2.50um) MIN. SELECT PURE TIN  
 OVER 50u"/(1.27um) MIN. NICKEL OVERALL.

PLATING OPTION #2:

OUT SHIELD -- 60u"/(1.5um) MIN. SOLDERABLE NICKEL OVER  
 30u"/(0.75um) MIN. COPPER OVERALL.  
 .075"/(1.91mm) CONTACTS -- SELECT GOLD FLASH AND  
 100u"/(2.50um) MIN. SELECT PURE TIN  
 OVER 50u"/(1.27um) MIN. NICKEL OVERALL.  
 .100"/(2.54mm) CONTACTS -- SELECT GOLD FLASH AND  
 100u"/(2.50um) MIN. SELECT PURE TIN  
 OVER 50u"/(1.27um) MIN. NICKEL OVERALL.



RECOMMENDED PANEL CUT-OUT  
 PANEL THICKNESS: .030"-.040"

THIS DRAWING CONTAINS INFORMATION THAT IS PROPRIETARY TO MOLEX ELECTRONIC TECHNOLOGIES, LLC AND SHOULD NOT BE USED WITHOUT WRITTEN PERMISSION											
QUALITY SYMBOLS	CHANGE SHELL PLATING	EC NO: 118825	DRWN: XQZHANG	CHK'D: XQZHANG	REV APPR: AYIN	GENERAL TOLERANCES (UNLESS SPECIFIED)		DIMENSION UNITS	SCALE		
						ANGULAR TOL ± 1.0 °		INCH	1:1		
▽A = 0						4 PLACES ± 0.01		DRWN BY	DATE		
▽E = 0						3 PLACES ± 0.01		XQZHANG	2014/12/10		
▽F = 0						2 PLACES ± 0.01		CHK'D BY	DATE		
▽ = 0						1 PLACE ±		XQZHANG	2014/12/09		
▽C = 0						0 PLACES ±		APPR BY	DATE		
▽ = 0								AYIN	2015/02/09		
▽ = 0								DRAWING SIZE	THIRD ANGLE PROJECTION		
▽ = 0								A3			
▽ = 0						DRAFT WHERE APPLICABLE MUST REMAIN WITHIN DIMENSIONS					
							PRODUCT CUSTOMER DRAWING				
							SERIES	MATERIAL NUMBER	CUSTOMER		
							74320	SEE TABLE	GENERAL MARKET		
							DOCUMENT NUMBER		DOC TYPE	DOC PART	SHEET NUMBER
							SD-74320-001		PSD	000	2 OF 2

RELEASE STATUS	RELEASE DATE
----------------	--------------