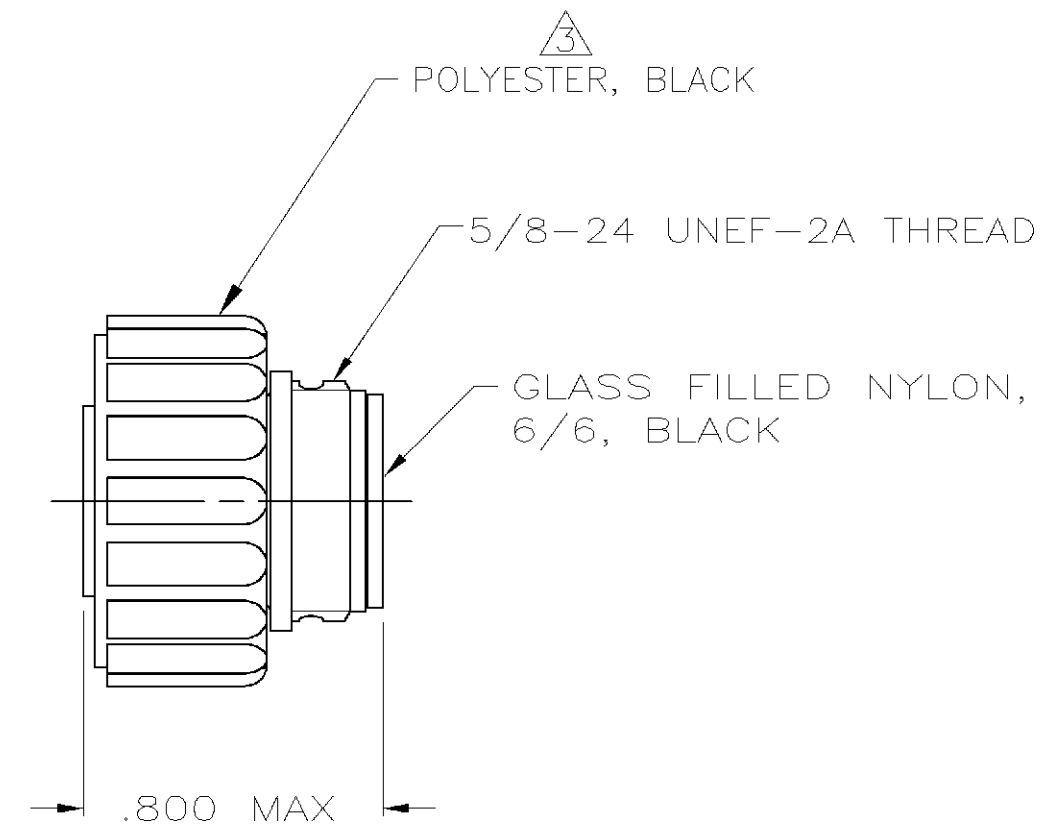
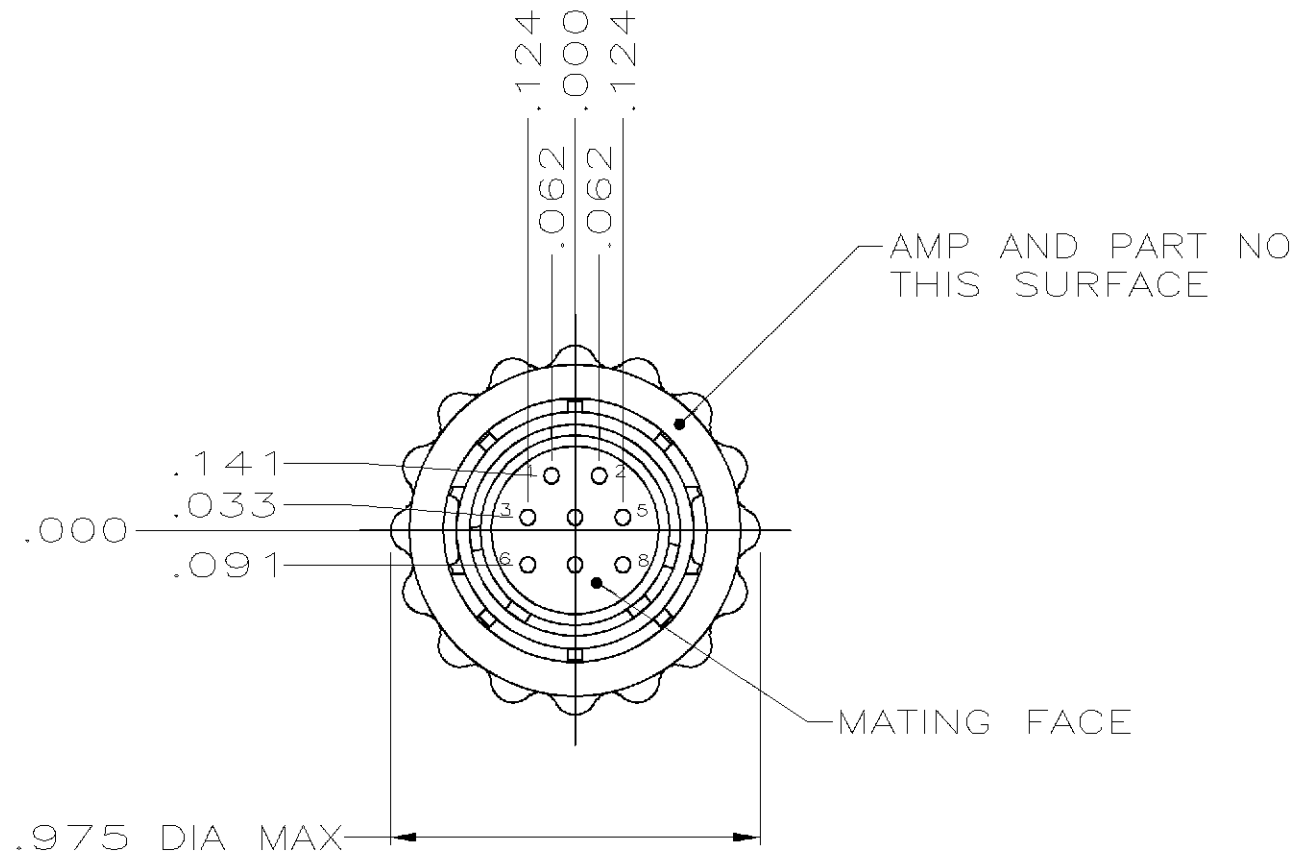


THIS DRAWING IS UNPUBLISHED. RELEASED FOR PUBLICATION
 © COPYRIGHT BY TYCO ELECTRONICS CORPORATION. ALL RIGHTS RESERVED.

| LOC | DIST | REVISIONS | | | |
|-----|------|-------------|-------------------------|--------|-------|
| P | LTR | DESCRIPTION | DATE | DWN | APVD |
| FT | 0 | F | REVISED PER 0G3B-0316-0 | 6/5/02 | SS SH |

NOTES:

- CONTACT CAVITIES IDENTIFIED BY CHARACTERS ON FRONT AND REAR FACES OF CONNECTOR.
- WILL ACCEPT (8) SIZE PIN CONTACTS.
- 206434-1 ONLY. COUPLING RING REMOVE FOR 206434-2.



| |
|-------------|
| 206434-2 |
| 206434-1 |
| PART NUMBER |

| | | | | | |
|--|--|------------------------------|--|--------------------|------------------------|
| THIS DRAWING IS A CONTROLLED DOCUMENT. | | DWN A.STAUB BG 4/8/91 | Tyco Electronics Corporation Harrisburg, PA 17105 | | |
| DIMENSIONS: INCHES | TOLERANCES UNLESS OTHERWISE SPECIFIED: | CHK W.G.LENKER 7-23-92 | NAME PLUG ASSEMBLY, REV SEX, SERIES 2, 11-8, CPC | | |
| | 0 PLC ± - | APVD - | PRODUCT SPEC 108-10024 | | |
| | 1 PLC ± - | PRODUCT SPEC | APPLICATION SPEC | | |
| MATERIAL SEE | 2 PLC ± - | WEIGHT - | SIZE A3 | CAGE CODE 00779 | DRAWING NO C-206434 |
| | 3 PLC ± .005 | CUSTOMER DRAWING | SCALE 2:1 | | SHEET 1 OF 1 |
| 4 PLC ± - | FINISH - | RESTRICTED TO | | REV F | |
| ANGLES ± - | | | | | |