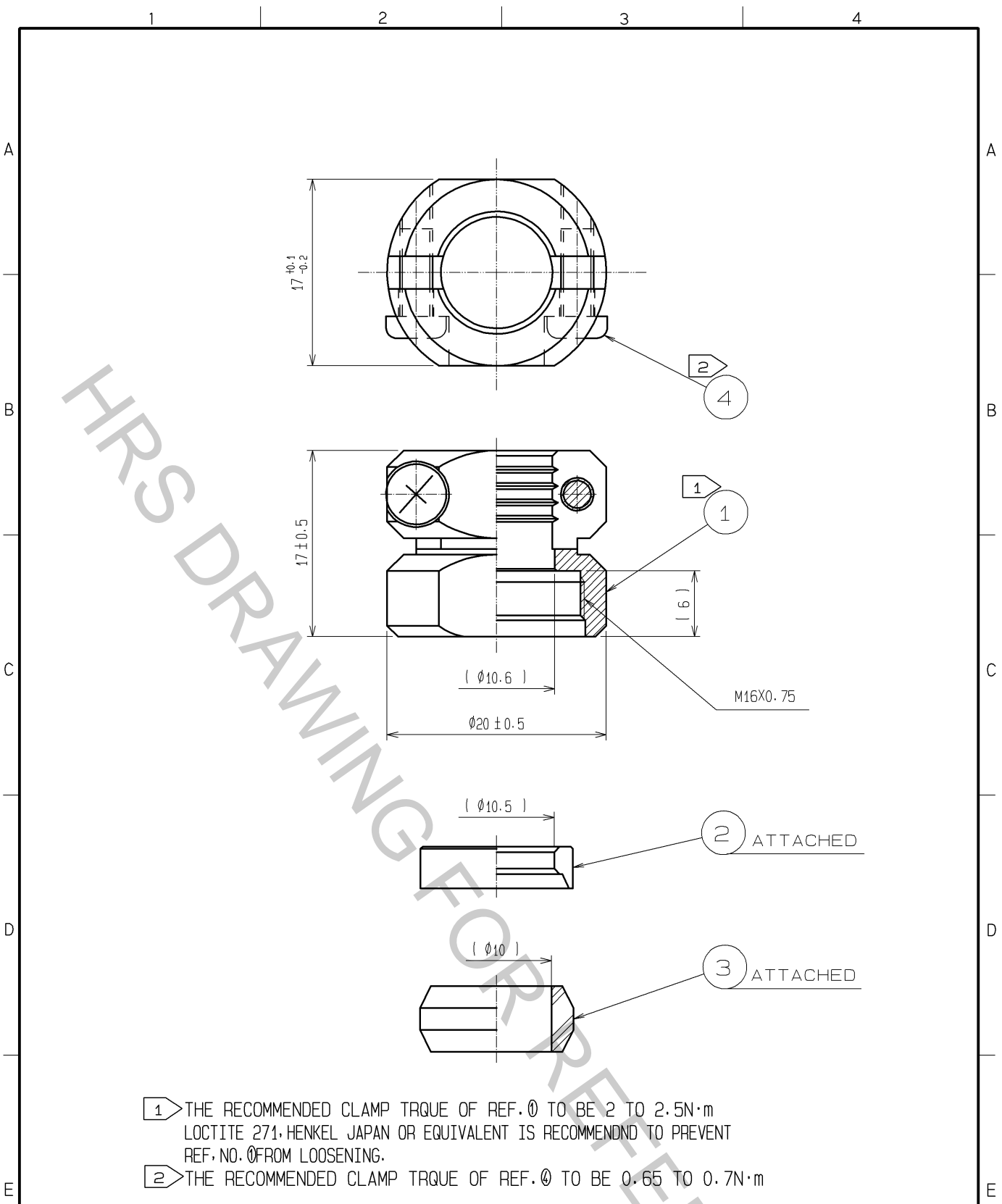


Sep.1.2018 Copyright 2018 HIROSE ELECTRIC CO., LTD. All Rights Reserved.  
 In case that the application demands a high level of reliability, such as automotive,  
 please contact a company representative for further information.



- ① THE RECOMMENDED CLAMP TRQUE OF REF. ① TO BE 2 TO 2.5N·m  
 LOCTITE 271, HENKEL JAPAN OR EQUIVALENT IS RECOMMENDD TO PREVENT  
 REF. NO. ① FROM LOOSENING.
- ② THE RECOMMENDED CLAMP TRQUE OF REF. ② TO BE 0.65 TO 0.7N·m

2	BRASS	NICKEL PLATING	4	STAINLESS STEEL	M3X0.5X8		
1	BRASS	CHROME PLATING	3	SILICONE RUBBER	(BLACK)		
NO.	MATERIAL	FINISH, REMARKS	NO.	MATERIAL	FINISH, REMARKS		
UNITS mm		SCALE 2 : 1		DESCRIPTION OF REVISIONS	DESIGNED	CHECKED	DATE
<b>HRS</b> HIROSE ELECTRIC CO., LTD.	APPROVED : MO. SATOH	07.12.27	DRAWING NO.	EDC4-110458-72			
	CHECKED : YH. YAMADA	07.12.27	PART NO.	JR13WCC-10(72)			
	DESIGNED : DS. MATSUNE	07.12.27	CODE NO.	CL114-2051-3-72			
	DRAWN : HN. TANAKA	07.12.14		1/1			